



## TE Series

### Wall Temperature Sensor

### Product Overview

The TE wall mounted temperature sensor monitors the temperature of the air inside a room. It has standard resistive outputs compatible with building control systems, and it is warranted for a period of five years.

### Product Identification

#### NOTICE

- This product is not intended for life or safety applications.
- Do not install this product in hazardous or classified locations.
- Read and understand the instructions before installing this product.
- Turn off all power supplying equipment before working on it.
- The installer is responsible for conformance to all applicable codes.

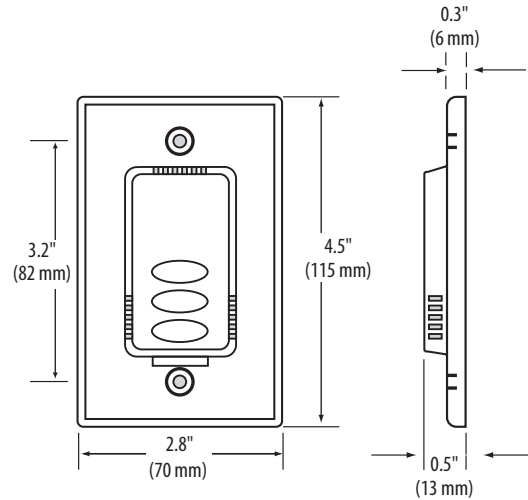
No responsibility is assumed by Veris Industries for any consequences arising out of the use of this material.

	Sensor Type	Setpoint/Override	Cal Certificate
TE	<input type="checkbox"/>	<input type="checkbox"/>	<input type="checkbox"/>
	B = 100R platinum, RTD	0 = None	0 = None
	C = 1k platinum, RTD	1 = Override	1 = 1 point Cal validation
	D = 10k T2, Thermistor	2 = 1k Setpoint	2 = 2 point Cal validation
	E = 2.2k, Thermistor	3 = 10k Setpoint	
	F = 3k, Thermistor	4 = 1k Setpoint w/override	
	G = 10k CPC, Thermistor	5 = 10k Setpoint w/override	
	H = 10k T3, Thermistor		
	I = 1k Balco (Nickel-iron) RTD		
	J = 10k Dale, Thermistor		
	K = 10k w/11k shunt, Thermistor		
	M = 20k NTC, Thermistor		
	N = 1800 ohm, Thermistor		
	R = 10k US, Thermistor		
	S = 10k 3A221, Thermistor		
	T = 100k, Thermistor		
	U = 20k "D", Thermistor		
	W = 10k T2 high accuracy, Thermistor		
	Y = 10k T3 high accuracy, Thermistor		
	Z = 10k E1, Thermistor		
	CC = 15k, Thermistor		

### Specifications

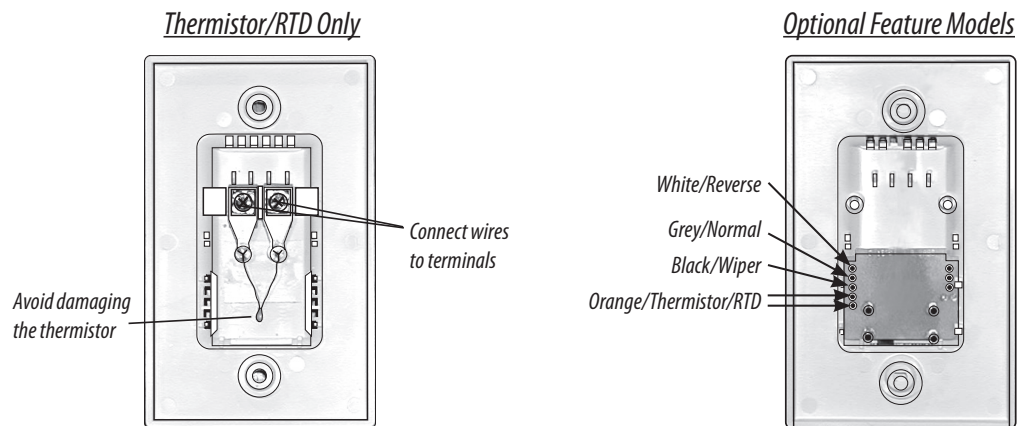
Wiring	
	22 AWG; 2-wire RTD/Thermistor

## Dimensions



## Installation

1. Connect the wires to the thermistor terminals (see the wiring diagrams). Do not overtighten the screws.
2. For optional feature models, connect the color coded wires as indicated.



3. Mount the unit on a single-gang junction box using the screws provided or directly to the wall using #6 drywall screws. Use the foam gasket provided to ensure proper insulation from the wall temperature.
4. Install the screw cover caps provided.

