

Model SRMD

Setra Remote Monitoring Display

1.0 GENERAL INFORMATION

Thank you for purchasing the Setra Remote Monitoring Display (SRMD). The SRMD is a digital panel meter with a bright 1" LED display for visibility at a distance.

Before installing, please check the box and ensure the following items are included:

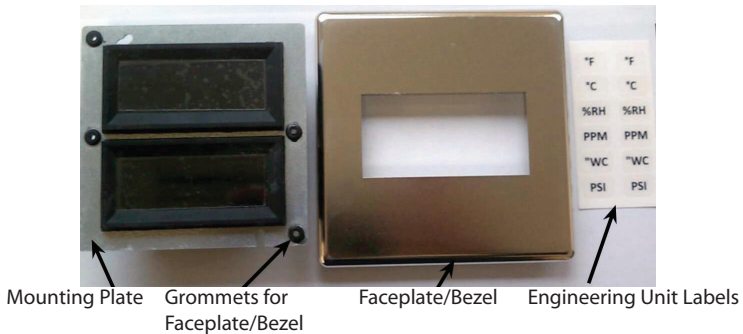


Fig. 1.

1. Mounting Plate (with single or dual display in color(s) ordered: green, red, or blue)
2. Faceplate Bezel (White or Metallic Finish, as ordered)
3. Engineering units label set

Note: If a dual display is ordered with a SRH temperature or humidity sensor and a color specified to match each (or your own sensors), wire the correct sensor to the correct display.

The SRMD can be powered by 24 VAC/DC and can accept 0 to 5 or 0 to 10 VDC transducer signals from remote sensors. These field sensors can be temperature, humidity, CO₂, etc.

2.0 INSTALLATION

2.1 Rough-In (see Fig 2.)

Install the SRMD in a 4 11/16" square electrical box. Run the power and signal wiring into the box. Two wires are for the 24 VAC/DC power, and two wires are for each of the signal lines from the field sensors to the display. For example, the single display version would be 2 wires and the dual display needs 2 wires for each of the two displays.

Run the wiring to the 24 VAC/DC source and to the sensors that are to be monitored. The power to the sensors is not supplied by the displays.

2.2 Positioning the Front of the Electrical Box

It is very important that the box be set 1/16" to 1/8" below the level of the finish wall so that the faceplate will seal against the finished wall. If possible allow for adjustment at the finish stage to set the depth correctly.

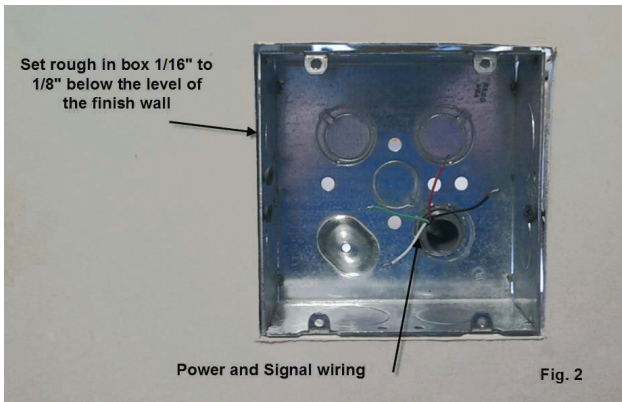
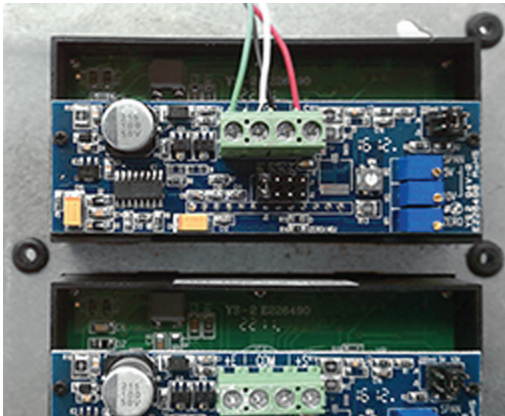
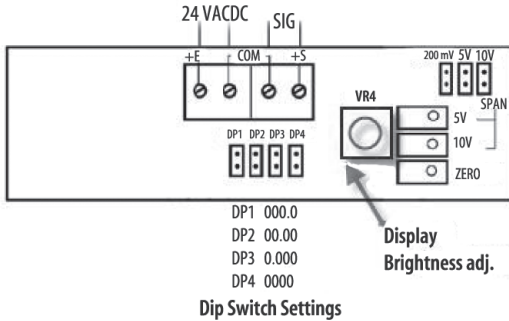


Fig. 2

3.0 WIRING TO THE DISPLAYS

Shown in Fig. 3 is a wiring diagram and picture of the back of the mounting plate. *Note that each display has a terminal strip.* If you are using field sensors that are not Setra's SRH humidity/temperature sensors, then calibrate the display according to Section 4 before completing the wiring shown here.

Input Wiring



Wiring:

+E - Excitation, 24 VAC

COM - 2 terminals connected together, wire to 24 VAC and to common of the field sensor

+S - wire to the field sensor

Fig. 3

4.0 CALIBRATION

Power the display(s). If you have the Setra humidity and temperature sensor, then the displays are already calibrated and ready to use. If you are using other sensors, then you must calibrate the displays output signal to the engineering units, unless your sensors are 0 to 5 or 0 to 10 V output and display 0 to 100 (factory default setting).

Calibration requires a calibrated Voltage Source to simulate the sensor analog output.

Set range dip switch to either 5 V (for a 0 to 5 V input) or 10 V (for a 0 to 10 V input) position.

The **factory default calibration** of the display is 0 to 5 VDC field sensor input, which will produce a display reading of 0.0 at 0 V and 100.0 at 5 V. Also, if the range jumper switch is set to the 10 V input position, then the calibration will be 0.0 to 0 V and 100.0 at 10 V.

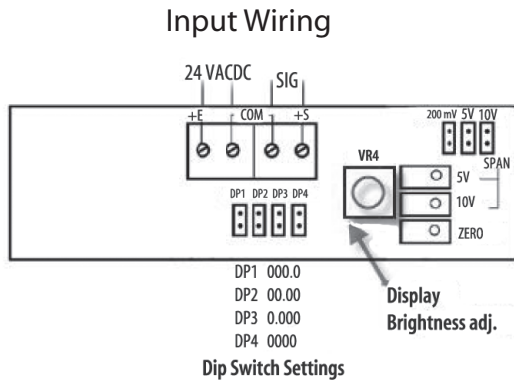


Fig. 4

4.2 Zero and Span Calibration

Set the Voltage Source to 0 VDC and Connect the Voltage Source to the +S and COM terminals on the display.

Check the field sensor input and output specification.

Example:

Humidity Sensor	0-100% RH and 0 to 5 VDC output
Temperature Sensor	50-90°F and 0 to 10 VDC output

Setup Humidity Sensor:

Apply 0 V and if necessary turn the ZERO potentiometer (pot) until the display reads 0.0, apply 5 VDC and turn the pot labeled 5V until the display reads 100.0

Setup Temperature Sensor:

Move the range jumper from the 5V to 10V position. Apply 0 VDC and turn ZERO pot until the display reads 50.0, apply 10V and turn 10V pot until display reads 90.0

4.3 Adjust Display Brightness

While looking at the display, turn the Display brightness adjust pot, (See Fig. 4) to the desired brightness.

5.0 INSTALL MOUNTING PLATE

After adjusting and verifying the depth of the electrical box relative to the finish wall (see, Fig. 2), install the mounting plate to the electrical box. Be sure that the displays are installed right side up. Install the 2 mounting screws to secure the mounting plate to the electrical box.

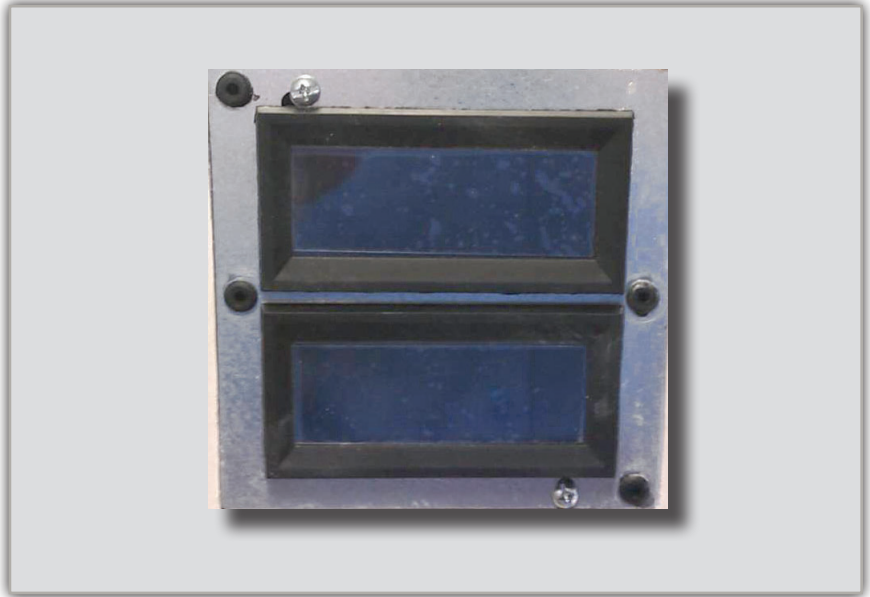


Fig. 5

6.0 INSTALL FACEPLATE

There are 4 pins on the back of the faceplate. Align the pins with the rubber grommets in the mounting plate. Slowly and evenly push the bezel until the back of the bezel is flush against the finish wall.

Choose the appropriate Engineering unit labels for the display(s) and place them where you want them on the faceplate.

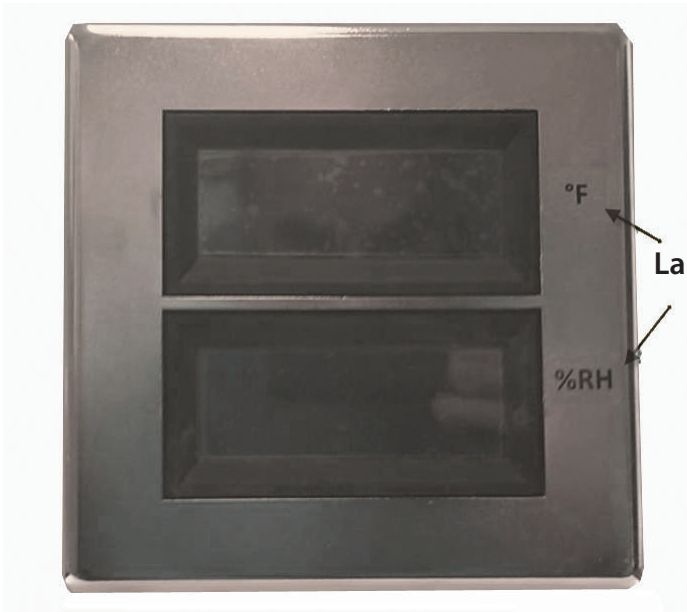


Fig.6

7.0 RETURNING PRODUCTS FOR REPAIR

When returning a product to Setra Systems, the material should be carefully packaged and shipped prepaid to:

Setra Systems, Inc.
159 Swanson Road
Boxborough, MA 01719-1304
Attn: Repair Department

To assure prompt handling, please refer to return instructions on our Web site at http://www.setra.com/tra/repairs/cal_rep.htm.

8.0 WARRANTY AND LIMITATION OF LIABILITY

SETRA warrants its products to be free from defects in materials and workmanship, subject to the following terms and conditions: Without charge, SETRA will repair or replace products found to be defective in materials or workmanship within the warranty period; provided that:

- a) the product has not been subjected to abuse, neglect, accident, incorrect wiring not our own, improper installation or servicing, or use in violation of instructions furnished by SETRA;
- b) the product has not been repaired or altered by anyone except SETRA or its authorized service agencies;
- c) the serial number or date code has not been removed, defaced, or otherwise changed; and
- d) examination discloses, in the judgment of SETRA, the defect in materials or workmanship developed under normal installation, use and service;
- e) SETRA is notified in advance of and the product is returned to SETRA transportation prepaid.

Unless otherwise specified in a manual or warranty card, or agreed to in writing and signed by a SETRA officer, SETRA pressure, humidity, and acceleration products shall be warranted for one year from date of sale.

The foregoing warranty is in lieu of all warranties, express, implied or statutory, including but not limited to, any implied warranty of merchantability for a particular purpose.

SETRA's liability for breach of warranty is limited to repair or replacement, or if the goods cannot be repaired or replaced, to a refund of the purchase price. In no instance shall SETRA be liable for incidental or consequential damages arising from a breach of warranty, or from the use or installation of its products. No representative or person is authorized to give any warranty other than as set out above or to assume for SETRA any other liability in connection with the sale of its products.

For all CE technical questions, contact Setra Systems, USA. EU customers may contact our EU representative Hengstler GmbH, Uhlandstr 49, 78554 Aldingen, Germany (Tel: +49-7424-890; Fax: +49-7424-89500).



159 Swanson Road, Boxborough, MA 01719-1304
Tel: 800-257-3872/978-263-1400
Email: sales@setra.com; Web: www.setra.com