

# REMOTE TEMPERATURE SENSOR

## FGD-0100

### V.1.52

The Remote Temperature Sensor enables your Sensaphone to measure the temperature at a location away from the unit. This sensor is intended for installation in a clean, dry environment. The Remote Temperature Sensor can be used with the models listed below.

**Sensaphone Models: 400, 800, 1400, 1800, 2800, CELL682, WEB600,**

The sensor may be connected to any available input terminal. Refer to your user's manual for configuration and programming.

To connect the sensor:

1. Remove any existing wiring or sensors (including local thermistor) from the input terminal.
2. Attach two-conductor wire to the input terminal and ground.
3. Connect the wires to the two screw terminals on the remote temperature sensor.
4. Put the enclosure cover in place and install the

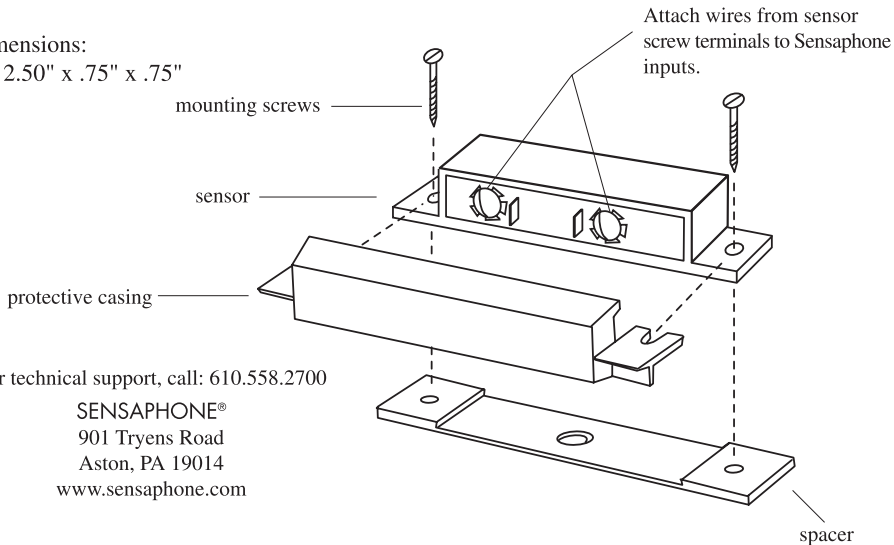
sensor housing securely using the two mounting screws furnished.

5. See your Sensaphone user manual for programming instructions.

## ASSEMBLY DIAGRAM

Dimensions:

2.50" x .75" x .75"



For technical support, call: 610.558.2700

SENSAPHONE®  
901 Tryens Road  
Aston, PA 19014  
[www.sensaphone.com](http://www.sensaphone.com)

Artwork Specifications: 4.5 x 5.5

Finished Size:

Ink: Black only

2 sided, 50lb offset