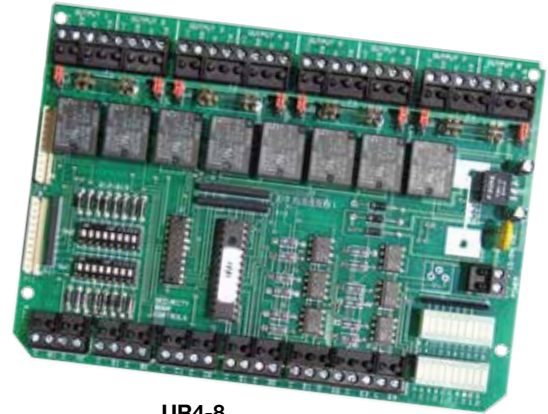


# UR2-4 and UR4-8 Universal Door Control Modules

Field Programmable Access Hardware Controller. 14 Field Selectable Station Modes & Systems. 7 Individually Selected Relay Output Modes: Control Relay, Timed Relay, or Latching Relay Output. Dual Modes Control Relay & Timer. Latching & Timed. Control Latching. Controlled Relay/Controlled Relay. 7 Selectable System Modes: 5 Mantrap and Interlock Modes. 2 Communicating Bathroom Modes.



UR4-8



## FEATURES

- Use the same controller for virtually all multi-door applications.
- Centralized wiring for all locks, access controls, monitoring contacts and peripheral equipment.
- On board logic reduces need for communicating door and lock contacts and standalone relays.
- Reduced wiring, easy troubleshooting.

## PROGRAMMABLE SYSTEM MODES

System selection provides appropriate mode of operation for each input and output

- **Airlock/Interlock Mode A:** All doors normally unlocked, opening any door causes all other doors to lock.
- **Mantrap Mode B:** All doors normally locked. When any door is unlocked all other doors are incapable of unlocking.
- **3 Mantrap Mode C:** Select doors locked or unlocked. When unlocked door is opened, locked doors are incapable of unlocking. When a locked door is unlocked, normally unlocked doors lock and all other locked doors are incapable of unlocking.
- **Shared Hospital/Dorm Bathroom A:** Doors equipped with magnetic locks.
- **Shared Hospital/Dorm Bathroom B:** Doors equipped with electrified locksets.

## PROGRAMMABLE STATION MODES

Each output may be individually programmed with its own mode of operation

- Conventional Relay
- Latching Relay, on/off
- Latch multi-station zones on/off or all stations on/off
- Time Delay Relay 1-60 seconds
- Dual function Latching on/off, plus 1-60 second Timed output when on.



## SPECIFICATIONS

**Input Voltage** 12 or 24VDC +/- 10%

**Input Current** 130mA Max.

**Relay Inputs**

**UR2-4:**  
4-SPST, Dry, Optically Isolated (Relay)  
4-SPST, NO Dry, Optically Isolated (Auxiliary)

**UR4-8:**  
8-SPST, Dry, Optically Isolated (Relay)  
4-SPST, NO Dry, Optically Isolated (Auxiliary)

## MODELS

**UR2-4** Universal Controller with 2 Fused SPDT Outputs and 2 Non-fused SPDT Outputs

**UR4-8** Universal Controller with 4 Fused SPDT Outputs and 4 Non-fused SPDT Outputs

Field Selectable Voltage Output or Dry Contact Outputs. Individually configured as a dry contact or 12 or 24VDC Voltage Output

## Outputs

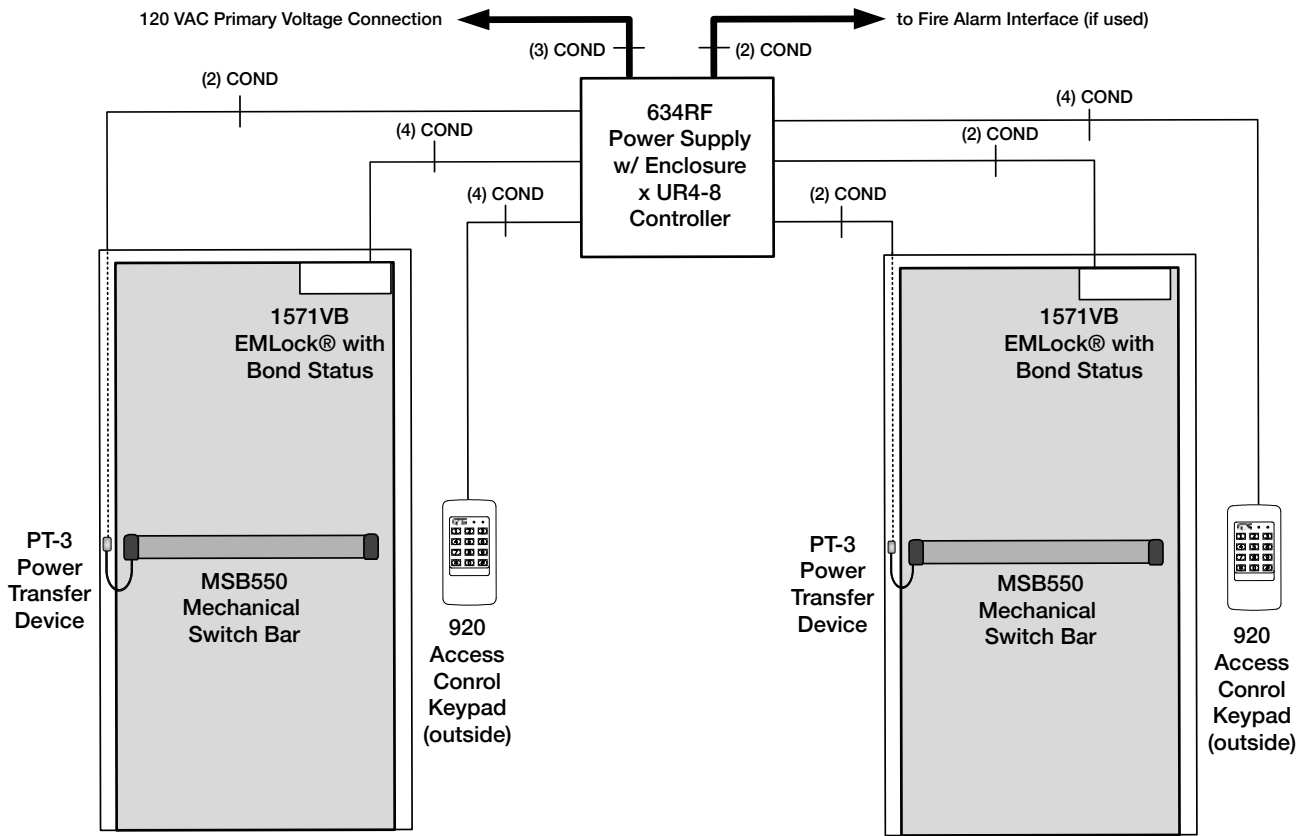
**UR2-4:**  
2 fused SPDT relays, 7 Amps @ 30VDC  
2 non-fused SPDT relays, 7 Amps @ 30VDC

**UR4-8:**  
4 fused SPDT relays, 7 Amps @ 30VDC  
4 non-fused SPDT relays, 7 Amps @ 30VDC

## Dimensions

4.5" W x 5" H x 7/8" D UR2-4  
7" W x 5" H x 7/8" D UR4-8





**920** Access Control Keypad



**1571** EMLock® with Bond Status



**PT-3** Power Transfer Device



**MSB550** Mechanical Switch Bar



**634RF** 4 Amp, 12/24 VDC Class 2 Output Power Supply