

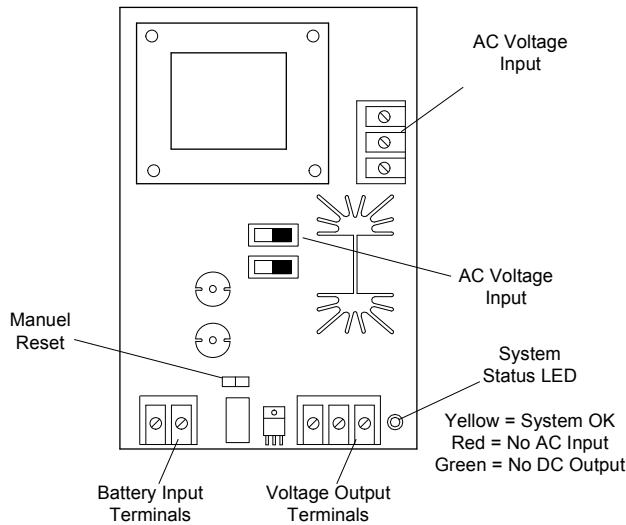


SECURITY DOOR CONTROLS
 801 Avenida Acaso, Camarillo, Ca. 93012
 (805) 494-0622 • Fax: (805) 494-8861
 www.sdcsecurity.com • E-mail: service@sdsecurity.com

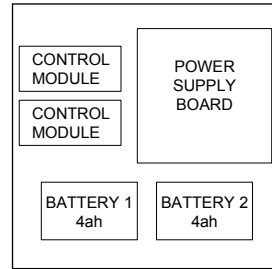
**SPECIAL APPLICATIONS POWER SUPPLY
 INSTALLATION INSTRUCTIONS**

MODEL 602RF

MODEL 602RF



COMPONENT LOCATIONS



STANDARD BOX

**MAIN SYSTEM ON-OFF
 OR
 FIRE PANEL CONNECTION**

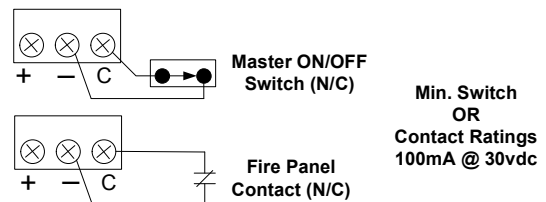


Figure C

POWER SUPPLY SPECIFICATIONS

Input Voltage: 115/230 VAC @ 60hz
Input Current: 0.8 amps Max.

Output Voltage: 12/24VDC (Special Applications)
Burglary Use:

Output Voltage Ranges:
 12 V Operation: 9.2 – 12.0 VDC
 24 V Operation: 21.2 – 24.0 VDC

Output Current: 1.0 amps
Ripple Voltage: 0.05 Volts Max

Battery Charger Max Current: 0.25 amps
Maximum recommended battery size: 4ah
(Replace batteries every three years)

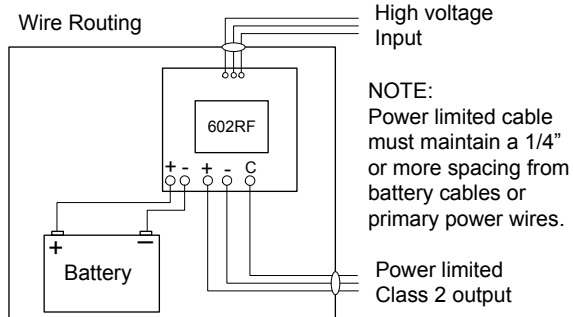
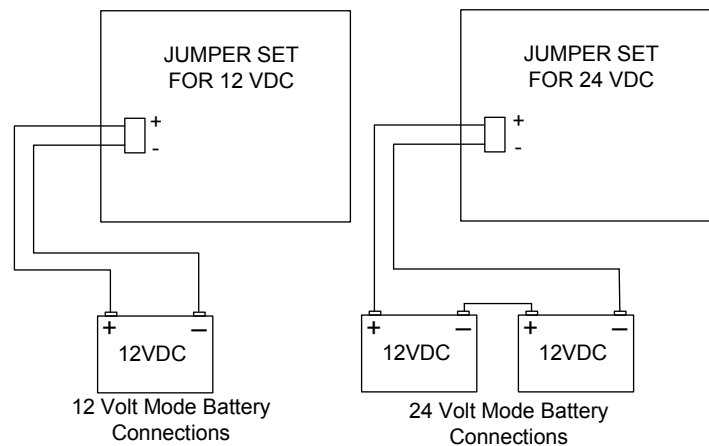
**To determine standby battery capacity, refer to
 Batter Discharge table (INST-BDT).**

Compatible UL listed Fire Devices:
**Smoke detector manufactured by ESL, Model 521B,
 521BXT with Model 506 module.**

Suitable Uses:
Electric Lock Power Supply
Access Control Power Supply
Burglar Alarm System Power Supply
Fire Protective Signaling Service

**NOT INTENDED TO POWER A LOCAL
 BURGLAR ALARM INDICATING DEVICE.**

TEST UNIT YEARLY



NOTE:
 Power limited cable
 must maintain a 1/4"
 or more spacing from
 battery cables or
 primary power wires.

 Power limited
 Class 2 output



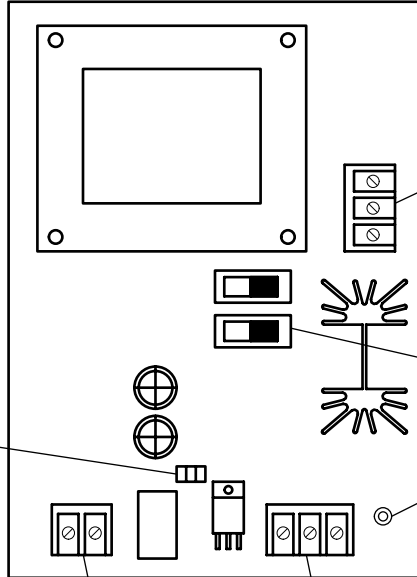
Security Door Controls

801 Avenida Acaso, Camarillo, Ca. 93012
(805) 494-0622 • Fax: (805) 494-8861
www.sdcsecurity.com • E-mail: service@sdsecurity.com

SPECIAL APPLICATIONS POWER SUPPLY INSTALLATION INSTRUCTIONS

MODEL 602RF-CUL

MODEL 602RF-CUL



MANUAL
RESET

BATTERY INPUT
TERMINALS

VOLTAGE OUTPUT
TERMINALS

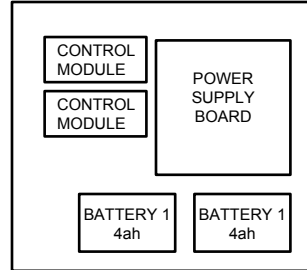
AC VOLTAGE
INPUT

VOLTAGE SELECT
SWITCHES

SYSTEM STATUS

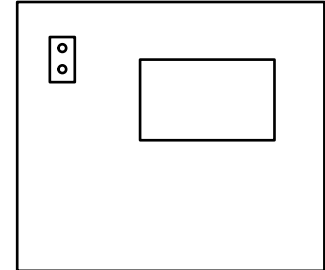
YELLOW – SYSTEM OK
RED – ON BATTERY PWR
GREEN – NO DC OUTPUT

COMPONENT LOCATIONS



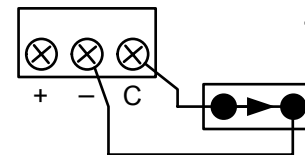
STANDARD BOX

COVER



BATTERY MONITOR LEDS
GRN = AC
RED = BATTERIES
ORG = NO/LO BATTERY

MAIN SYSTEM ON-OFF



Min. Switch or
Contact Ratings
100mA @ 30VDC

Master ON/OFF
Switch (N/C)

POWER SUPPLY SPECIFICATIONS

Input Voltage: 115 VAC @ 60hz
Input Current: 0.8 amps Max.

Output Voltage: 12/24VDC (Special Applications)
Burglary Use:

Output Voltage Ranges:

12 V Operation: 9.2 – 12.0 VDC

24 V Operation: 21.2 – 24.0 VDC

Output Current: 1.0 amps

Ripple Voltage: 0.05 Volts Max.

Battery Charger Max. Current: 0.25 amps

Maximum recommended battery size: 4ah

Recommended Battery: SDC Model RB12V4

(Replace batteries every 3 years)

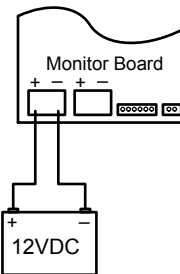
To determine standby battery capacity refer to
Battery Discharge Table (INST-BDT).

Suitable Uses:

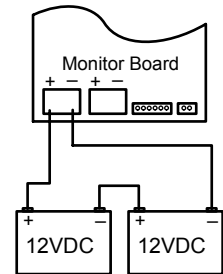
Electric Lock Power Supply

Access Control Power Supply

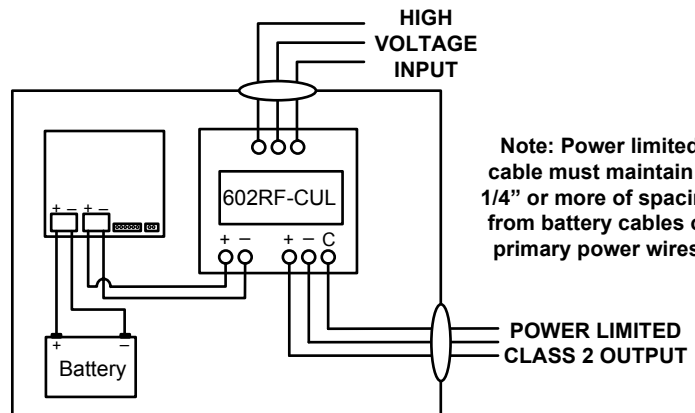
TEST UNIT ANNUALLY



12 Volt Mode Battery
Connections



24 Volt Mode Battery
Connections



Note: Power limited
cable must maintain a
1/4" or more of spacing
from battery cables or
primary power wires.

POWER LIMITED
CLASS 2 OUTPUT