



## Main

Product type	Power relay
Switch function	3PDT
Contact composition	3 NO + 3 NC

## Complementary

Input current	15 A
Contacts material	Silver alloy, gold flashed
Local signalling	Flag
Minimum switching current	10 mA 17 V
Coil Resistance	2880 Ohm
Input voltage	120 V AC
Drop-out voltage threshold	$\geq 0.15 U_c$ AC $\geq 0.1 U_c$ DC
[Ie] rated operational current	15 A 120...277 V AC UL 15 A 28 V DC UL 15 A 120/150 V AC CSA 10 A 151/277 V AC CSA 15 A 28 V DC CSA 15 A 250 V AC NO)IEC 15 A 28 V DC NO)IEC 7.55 A 250 V AC NC)IEC 7.55 A 28 V DC NC)IEC
Average coil consumption in VA	1.7 AC 60 Hz 1.5 DC
Voltage range	0.8...1.1 $U_n$ AC/DC
Maximum switching voltage	300 V AC UL 300 V AC CSA 250 V AC IEC
Maximum Horse Power Rating	0.5 hp 120 V AC 50/60 Hz 1 hp 277 V AC 50/60 Hz

Disclaimer: This documentation is not intended as a substitute for and is not to be used for determining suitability or reliability of these products for specific user applications

Connections - terminals	Faston terminals
Mounting	Socket
Height	1.37 in (34.8 mm)
Width	1.20 in (30.6 mm)
Depth	1.07 in (27.3 mm)
Net Weight	1.90 oz (54 g)
Operating time	20 ms operating 20 ms not operating

## Environment

Ambient temperature range - operational	-40...131 °F (-40...55 °C)
Ambient air temperature for storage	-40...185 °F (-40...85 °C)
Product certifications	UL CE CSA
Electrical durability	100000 cycles resistive
Mechanical durability	10000000 cycles
Dielectric strength	2000 V AC between coil and contact 2000 V AC between poles 1500 V AC between contacts
Shock resistance	15 gn in operation
Vibration resistance	+/- 1 mm 10...35 Hz) 3 gn 35...150 Hz)

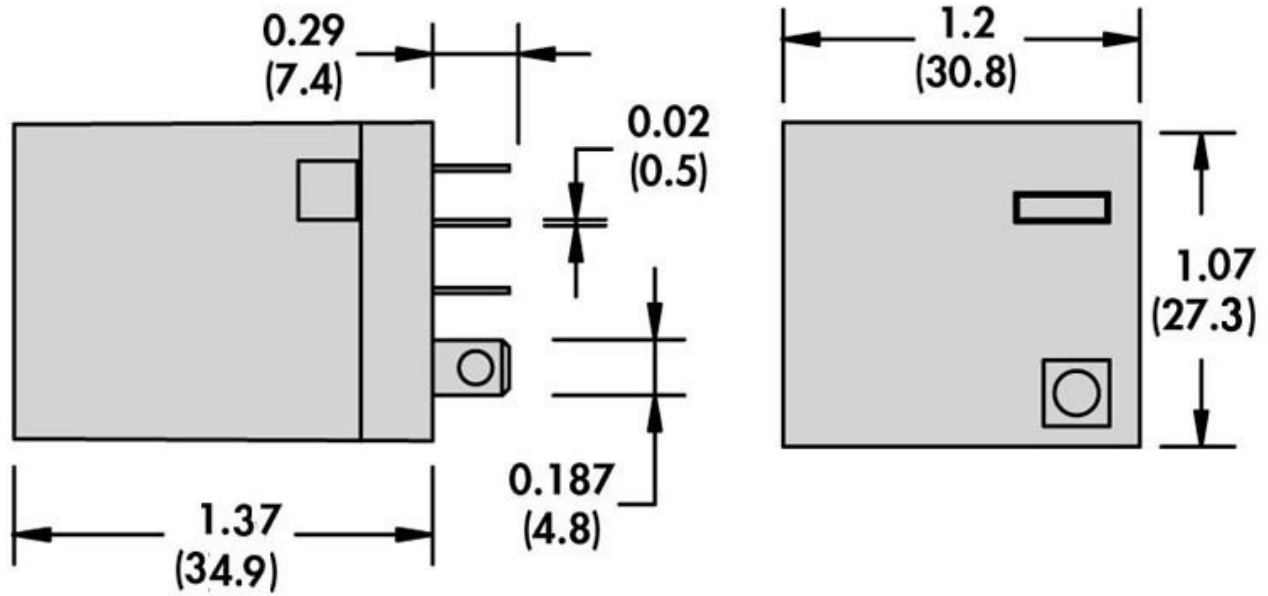
## Ordering and shipping details

GTIN	03606480281105
------	----------------

## Offer Sustainability

Sustainable offer status	Green Premium product
REACH free of SVHC	Yes
EU RoHS Directive	Pro-active compliance (Product out of EU RoHS legal scope) <a href="#">EU RoHS Declaration</a>
Toxic heavy metal free	Yes
Mercury free	Yes
RoHS exemption information	<a href="#">Yes</a>
China RoHS Regulation	<a href="#">China RoHS declaration</a>
Environmental Disclosure	<a href="#">Product Environmental Profile</a>
WEEE	The product must be disposed on European Union markets following specific waste collection and never end up in rubbish bins.

Approximate Dimensions



Connections and Wiring Diagrams

