



Main

Product range	Legacy
Product type	Power relay
Switch function	SPDT
Contact composition	1 NC + 1 NO

Complementary

Input current	15 A
Contacts material	Silver alloy, gold flashed
Local signalling	LED Flag
Control type	Lockable test button
Minimum switching current	10 mA 17 V
Coil Resistance	115 Ohm
Input voltage	12 V DC
Drop-out voltage threshold	$\geq 0.15 U_c$ AC $\geq 0.1 U_c$ DC
[Ie] rated operational current	15 A 120...277 V AC UL 15 A 28 V DC UL 15 A 120/150 V AC CSA 10 A 151/277 V AC CSA 15 A 28 V DC CSA 15 A 250 V AC NO)IEC 15 A 28 V DC NO)IEC 7.55 A 250 V AC NC)IEC 7.55 A 28 V DC NC)IEC
Average coil consumption in VA	1.9 AC 60 Hz 1.4 DC
Voltage range	0.8...1.1 U_n AC/DC
Maximum switching voltage	300 V AC UL 300 V AC CSA

Disclaimer: This documentation is not intended as a substitute for and is not to be used for determining suitability or reliability of these products for specific user applications

	250 V AC IEC
Maximum Horse Power Rating	0.5 hp 120 V AC 50...60 Hz 1 hp 277 V AC 50...60 Hz
Connections - terminals	Faston terminals
Mounting	Socket
Height	1.57 in (39.8 mm)
Width	0.83 in (21 mm)
Depth	1.07 in (27.3 mm)
Net Weight	1.02 oz (29 g)
Operating time	20 ms operating 20 ms not operating

Environment

Ambient temperature range - operational	-40...131 °F (-40...55 °C)
Ambient air temperature for storage	-40...185 °F (-40...85 °C)
Product certifications	UL CE CSA
Electrical durability	100000 cycles resistive
Mechanical durability	10000000 cycles
Dielectric strength	2000 V AC between coil and contact 2000 V AC between poles 1500 V AC between contacts
Shock resistance	15 gn in operation
Vibration resistance	+/-1 mm 10...35 Hz) 3 gn 35...150 Hz)

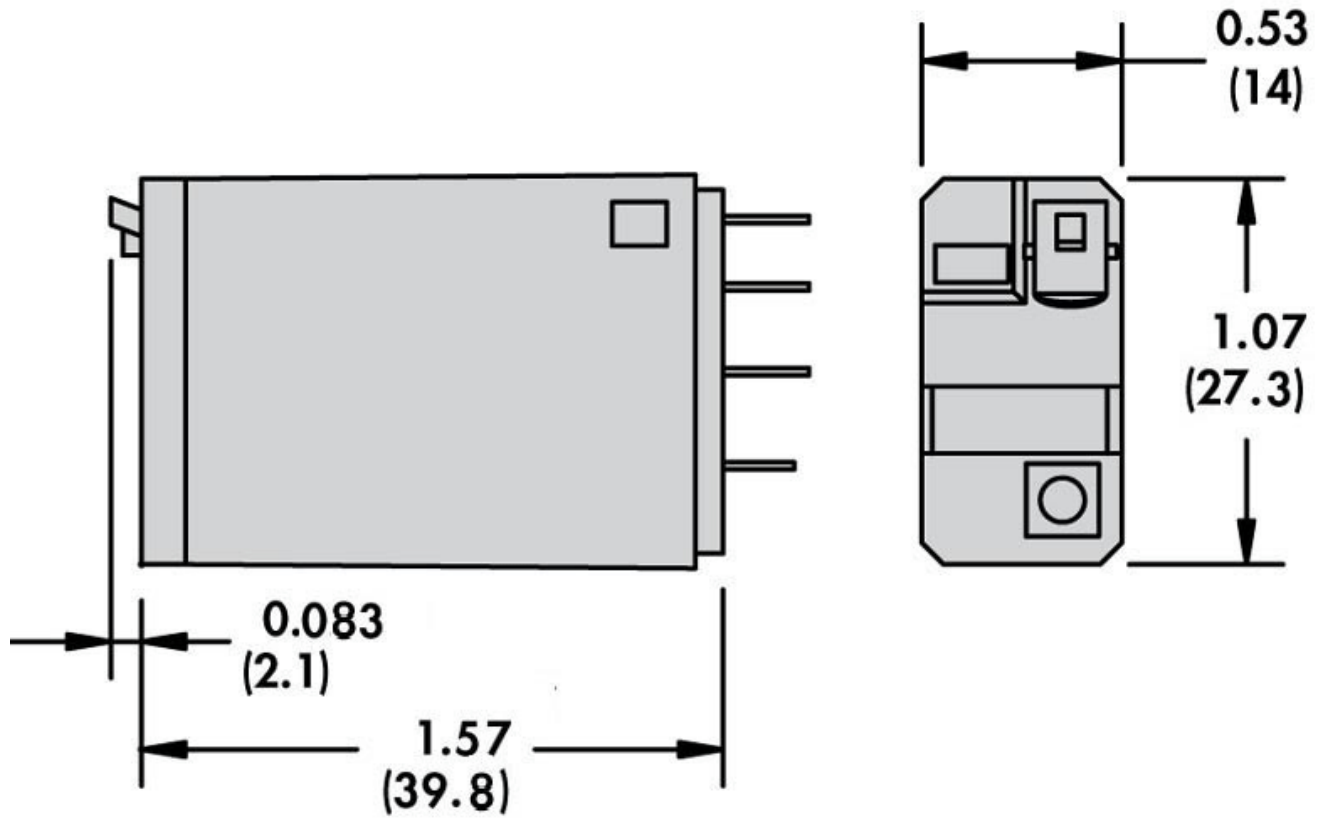
Ordering and shipping details

GTIN	03606480780615
------	----------------

Offer Sustainability

Sustainable offer status	Green Premium product
REACH Regulation	REACH Declaration
REACH free of SVHC	Yes
EU RoHS Directive	Pro-active compliance (Product out of EU RoHS legal scope) EU RoHS Declaration
Toxic heavy metal free	Yes
Mercury free	Yes
RoHS exemption information	Yes
China RoHS Regulation	China RoHS declaration
Environmental Disclosure	Product Environmental Profile
WEEE	The product must be disposed on European Union markets following specific waste collection and never end up in rubbish bins.

Approximate Dimensions



Connections and Wiring Diagrams

