



Main

| | |
|---------------------|-------------|
| Product range | Legacy |
| Product type | Power relay |
| Switch function | SPDT |
| Contact composition | 1 NC + 1 NO |

Complementary

| | |
|---|---|
| Input current | 15 A |
| Contacts material | Silver alloy, gold flashed |
| Local signalling | Flag |
| Minimum switching current | 10 mA 17 V |
| Coil Resistance | 177 Ohm |
| Input voltage | 24 V AC |
| Drop-out voltage threshold | $\geq 0.15 U_c$ AC $\geq 0.1 U_c$ DC |
| [I _e] rated operational current | 15 A 120...277 V AC UL 15 A 28 V DC UL 15 A 120/150 V AC CSA 10 A 151/277 V AC CSA 15 A 28 V DC CSA 15 A 250 V AC NO)IEC 15 A 28 V DC NO)IEC 7.55 A 250 V AC NC)IEC 7.55 A 28 V DC NC)IEC |
| Average coil consumption in VA | 1.6 AC 60 Hz 1.1 DC |
| Voltage range | 0.8...1.1 U _n AC/DC |
| Maximum switching voltage | 300 V AC UL 300 V AC CSA 250 V AC IEC |
| Maximum Horse Power Rating | 0.5 hp 120 V AC 50...60 Hz |

Disclaimer: This documentation is not intended as a substitute for and is not to be used for determining suitability or reliability of these products for specific user applications.

1 hp 277 V AC 50...60 Hz

| | |
|-------------------------|-------------------|
| Connections - terminals | Faston terminals |
| Mounting | Socket |
| Height | 1.39 in (35.3 mm) |
| Width | 0.55 in (14 mm) |
| Depth | 1.07 in (27.3 mm) |
| Net Weight | 0.92 oz (26 g) |
| Operating time | 25 ms 20 ms |

Environment

| | |
|---|---|
| Ambient temperature range - operational | -40...131 °F (-40...55 °C) |
| Ambient air temperature for storage | -40...185 °F (-40...85 °C) |
| Product certifications | UL CE CSA |
| Electrical durability | 100000 cycles resistive |
| Mechanical durability | 10000000 cycles |
| Dielectric strength | 2000 V AC between coil and contact 2000 V AC between poles 1500 V AC between contacts |
| Shock resistance | 15 gn in operation |
| Vibration resistance | +/-1 mm 10...35 Hz) 3 gn 35...150 Hz) |

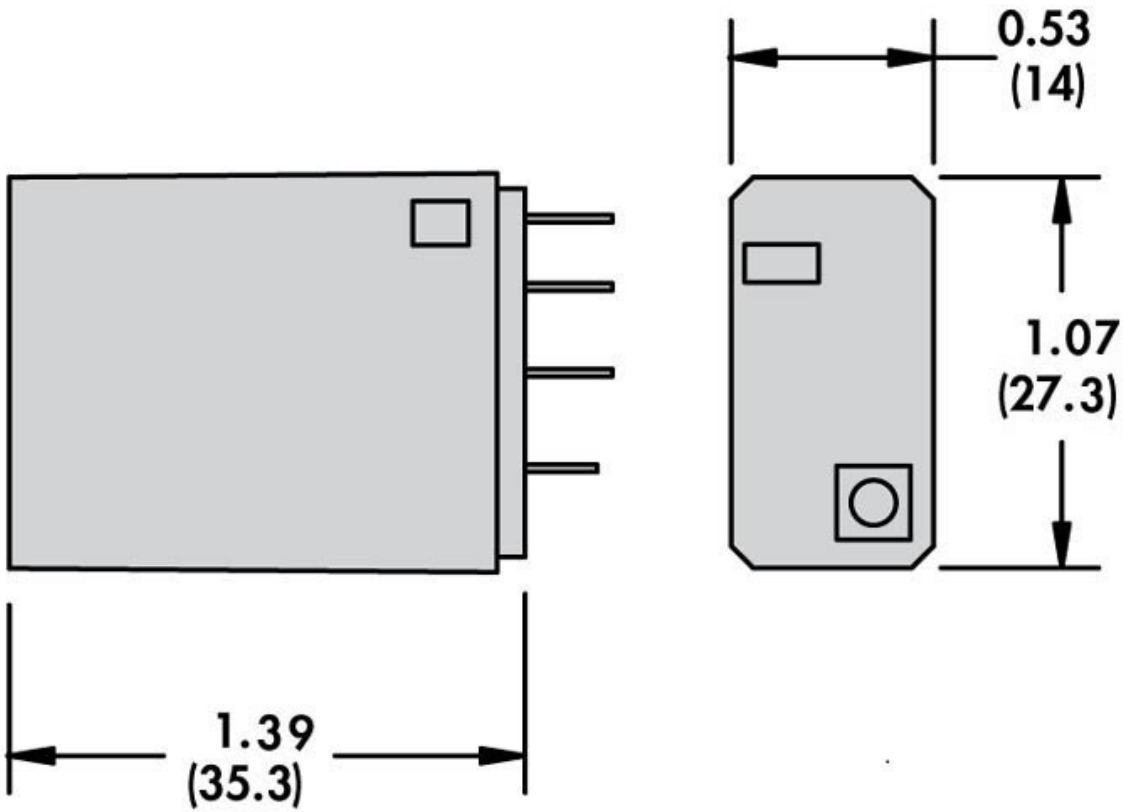
Ordering and shipping details

| | |
|------|----------------|
| GTIN | 03606480780455 |
|------|----------------|

Offer Sustainability

| | |
|----------------------------|--|
| Sustainable offer status | Green Premium product |
| REACH free of SVHC | Yes |
| EU RoHS Directive | Pro-active compliance (Product out of EU RoHS legal scope) EU RoHS Declaration |
| Toxic heavy metal free | Yes |
| Mercury free | Yes |
| RoHS exemption information | Yes |
| China RoHS Regulation | China RoHS declaration |
| Environmental Disclosure | Product Environmental Profile |
| WEEE | The product must be disposed on European Union markets following specific waste collection and never end up in rubbish bins. |

Approximate Dimensions



Connections and Wiring Diagrams

