



## Main

|                     |             |
|---------------------|-------------|
| Product range       | Legacy      |
| Product type        | Power relay |
| Switch function     | SPDT        |
| Contact composition | 1 NC + 1 NO |

## Complementary

|                                |   |
|--------------------------------|---|
| Input current                  | 15 A  |
| Contacts material              | Silver alloy, gold flashed  |
| Local signalling               | Flag  |
| Minimum switching current      | 10 mA 17 V  |
| Coil Resistance                | 115 Ohm   |
| Input voltage                  | 12 V DC   |
| Drop-out voltage threshold     | $\geq 0.15 U_c$ AC<br>$\geq 0.1 U_c$ DC   |
| [Ie] rated operational current | 15 A 120...277 V AC UL<br>15 A 28 V DC UL<br>15 A 120/150 V AC CSA<br>10 A 151/277 V AC CSA<br>15 A 28 V DC CSA<br>15 A 250 V AC NO)IEC<br>15 A 28 V DC NO)IEC<br>7.55 A 250 V AC NC)IEC<br>7.55 A 28 V DC NC)IEC |
| Average coil consumption in VA | 1.6 AC 60 Hz<br>1.1 DC  |
| Voltage range                  | 0.8...1.1 $U_n$ AC/DC   |
| Maximum switching voltage      | 300 V AC UL<br>300 V AC CSA<br>250 V AC IEC   |
| Maximum Horse Power Rating     | 0.5 hp 120 V AC 50...60 Hz  |

1 hp 277 V AC 50...60 Hz

|                         |                   |
|-------------------------|-------------------|
| Connections - terminals | Faston terminals  |
| Mounting                | Socket            |
| Height                  | 1.39 in (35.3 mm) |
| Width                   | 0.55 in (14 mm)   |
| Depth                   | 1.07 in (27.3 mm) |
| Net Weight              | 0.92 oz (26 g)    |
| Operating time          | 25 ms<br>20 ms    |

## Environment

|   |   |
|---|---|
| Ambient temperature range - operational | -40...131 °F (-40...55 °C)  |
| Ambient air temperature for storage     | -40...185 °F (-40...85 °C)  |
| Product certifications                  | UL<br>CE<br>CSA   |
| Electrical durability                   | 100000 cycles resistive   |
| Mechanical durability                   | 10000000 cycles   |
| Dielectric strength                     | 2000 V AC between coil and contact<br>2000 V AC between poles<br>1500 V AC between contacts |
| Shock resistance                        | 15 gn in operation  |
| Vibration resistance                    | +/-1 mm 10...35 Hz)<br>3 gn 35...150 Hz)  |

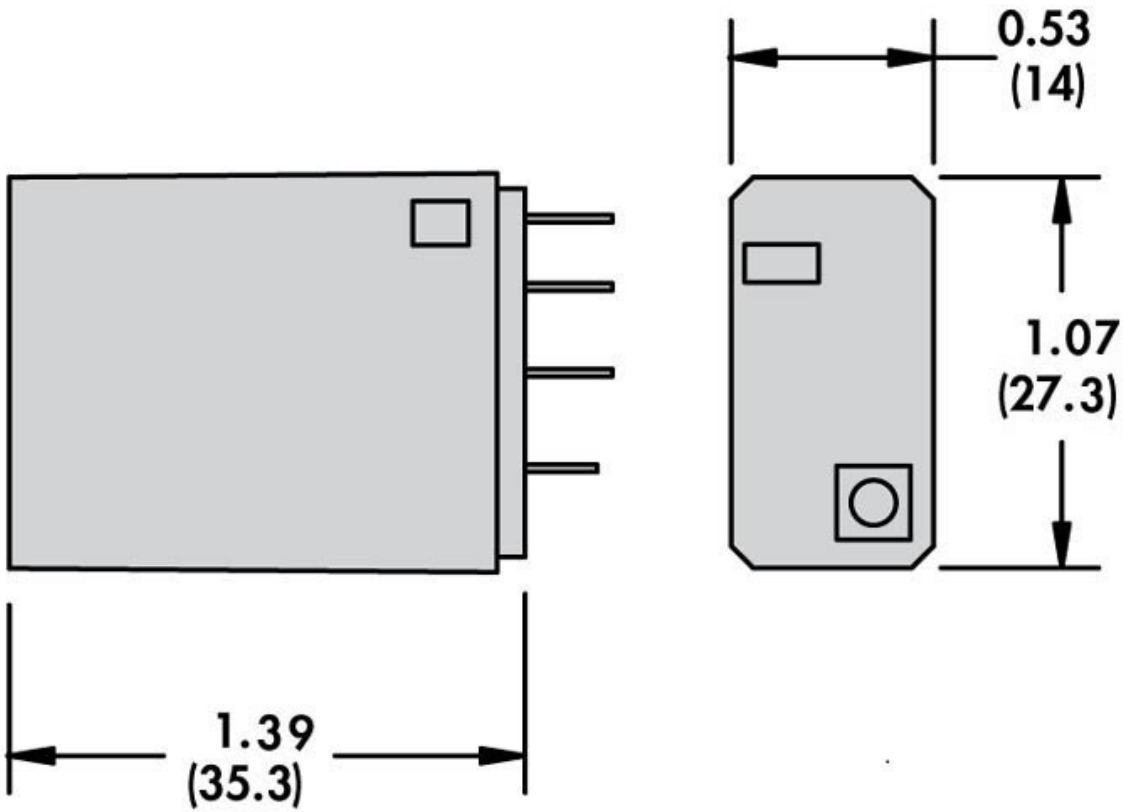
## Ordering and shipping details

|      |                |
|------|----------------|
| GTIN | 03606480780431 |
|------|----------------|

## Offer Sustainability

|                            |  |
|----------------------------|--|
| Sustainable offer status   | Green Premium product  |
| REACH free of SVHC         | Yes  |
| EU RoHS Directive          | Pro-active compliance (Product out of EU RoHS legal scope)<br><a href="#">EU RoHS Declaration</a>                            |
| Toxic heavy metal free     | Yes  |
| Mercury free               | Yes  |
| RoHS exemption information | <a href="#">Yes</a>  |
| China RoHS Regulation      | <a href="#">China RoHS declaration</a>   |
| Environmental Disclosure   | <a href="#">Product Environmental Profile</a>  |
| WEEE                       | The product must be disposed on European Union markets following specific waste collection and never end up in rubbish bins. |

Approximate Dimensions



Connections and Wiring Diagrams

