

TOOL-82

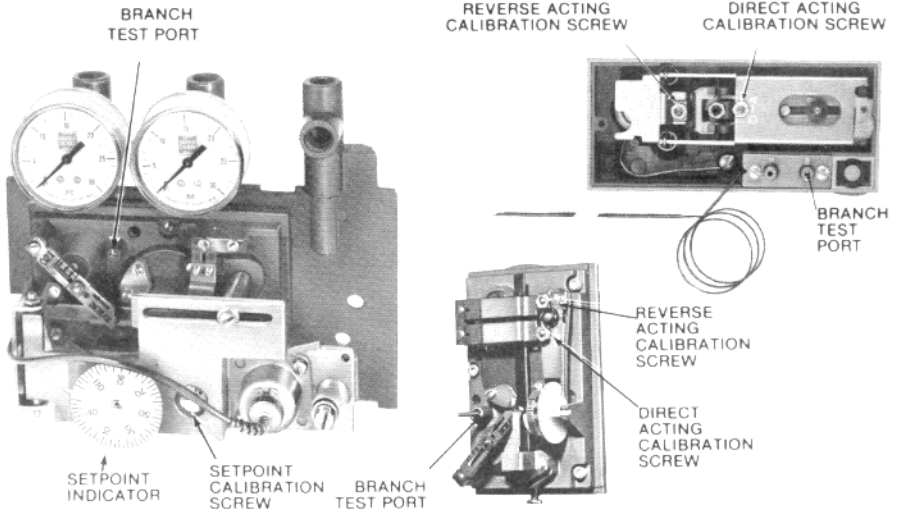


COMBINATION ALLEN/SPLINE
POCKET WRENCH

5/64" Allen wrench used for branch test port and 0.048" 6 spline wrench used for thermostat calibration.

Products where TOOL-82 is used:

TK-1000	TK-6000	RK-500
R500	R503	RK-504
R504	R516	RK-532
R532	R537	RK-503
R539	R540	RK-516
S515	T-82	RK-539
RK-537	RK-540	SK-515



TOOL-85



TOOL-85 AIR BULB



3/16 TO 1/8 BARBED REDUCER
FITTING (WITH TUBE CONNECTORS)



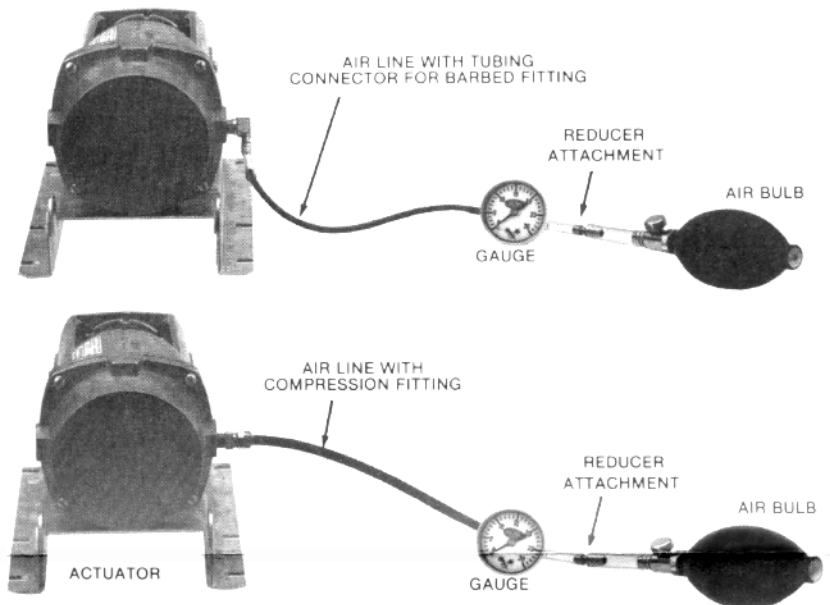
AIR LINE WITH
TUBING CONNECTOR
FOR BARBED FITTING



3/16" x 4" BLADE
ALL PURPOSE SCREWDRIVER



AIR LINE WITH COMPRESSION FITTING



AL-87

NEEDLE ADAPTOR



Used to test the air pressure. The needle end is inserted into test fitting AL-88 or AL-89.

Products where AL-87 is used:

CP-8511
CP-8513
PP-8311



B-373



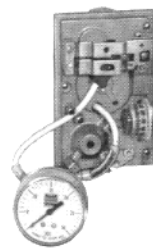
B-373
FEMALE
BRANCH TEE



AL-362
GAUGE

Used to interface gauge with branch line for branch pressure indication.

ROOM THERMOSTAT



PROPER INSTALLATION
OF GAUGE ADAPTOR
ASSEMBLY

N2-4

COMBINATION THERMOSTAT
CALIBRATION/COVER SCREW WRENCH



Products where N2-4 is used:

H18-301	HK-18	H53-301	HK-53
P341	PK-341	P541	PK-541
T12	TK-12	TR12	TKR-12
T13	TK-13	TR13	TKR-13
T18	TK-18	TR18	TKR-18
T19	TK-19	TR19	TKR-19
T23	TK-23	T24	TK-24
T27	TK-27	T32	TK-32
T33	TK-33	T34	TK-34
T35	TK-35	T36	TK-36
T435	TK-435	T436	TK-436
T460	TK-460	T53-101	TKS-53-101

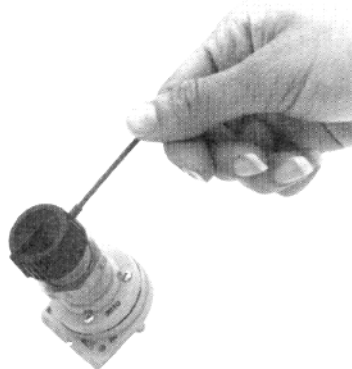
TOOL-110

3/32" HEXWRENCH



Products where TOOL-110 is used:

P323	PK-323
S510	SK-510
S511	SK-511
S520	SK-520
S530	SK-530
S540	SK-540



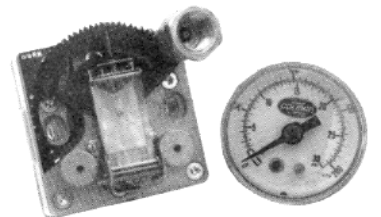
MCS-GA

GAUGE ADAPTOR



Products where MCS-GA is used:

H18-301	HK-18	H53-301	HK-53
P341	PK-341	MCS-CV	MCS-CT
T12	TK-12	TR12	TKR-12
T13	TK-13	TR13	TKR-13
T18	TK-18	TR18	TKR-18
T19	TK-19	TR19	TKR-19
T23	TK-23	T24	TK-24
T27	TK-27	T32	TK-32
T33	TK-33	T34	TK-34
T35	TK-35	T36	TK-36
T435	TK-435	T436	TK-436
T460	TK-460	T53-101	TKS-53-101
MCS-GM-P			



Pneumatic Calibration Tool Kit

TOOL-95-1

STEPS

1. Measure temperature at thermostat.
2. Set dial to temperature measured.
3. attach branch test gauges.
4. Adjust setpoint calibration screw to obtain desired branch pressure.
5. Adjust setpoint to desired control point.

NOTICE

The thermal element of the room thermostat is very sensitive to temperature change. Do not affect its temperature by touching the bimetal or breathing on the thermostat. When calibrating the instrument, observe the wall box temperature frequently and reset the setpoint dial if required.

CAUTION

This information is for reference only. Temperature controls are delicate instruments. Consult respective product General Instruction sheets before calibrating or adjusting the control.

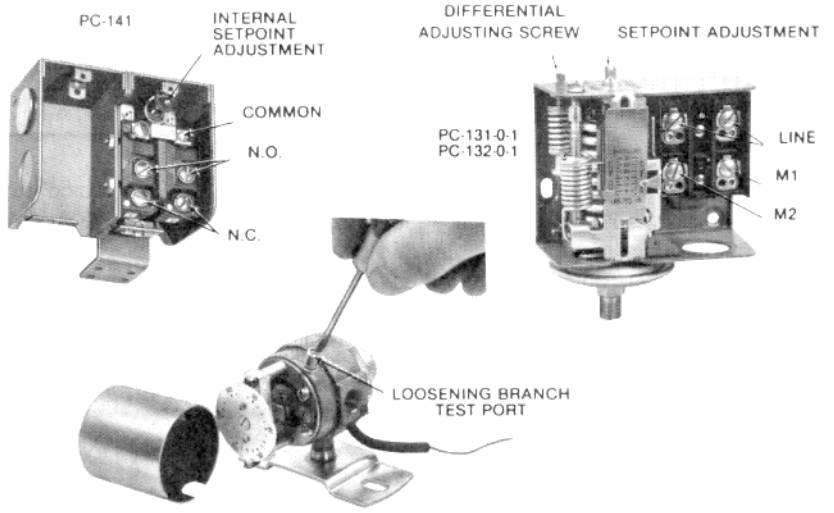
Schneider
Electric

TOOL-10



MAGNETIC
SCREWDRIVER

Multiple purpose.

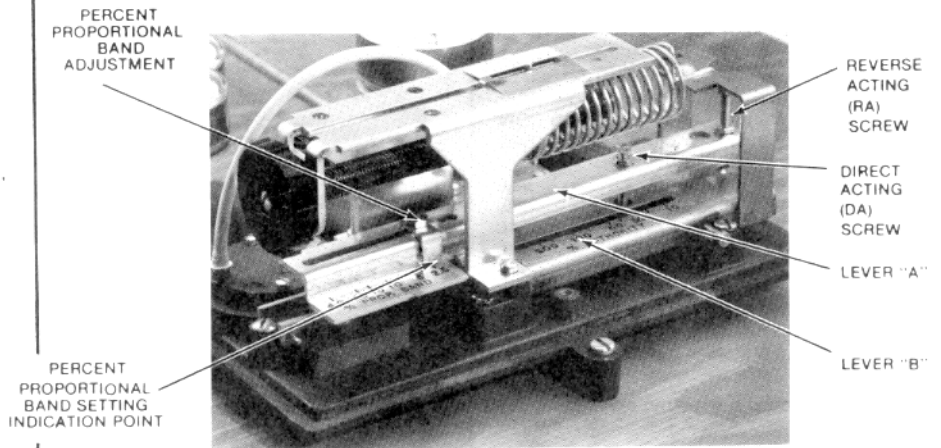


TOOL-11



CALIBRATION WRENCH FOR RK'S

Used for calibration of the proportional band, reverse and direct acting screws.



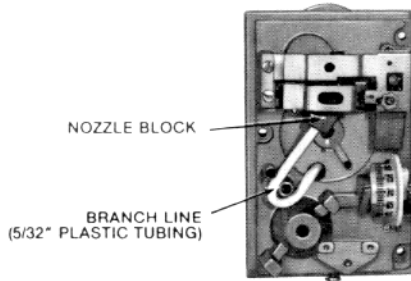
TOOL-74

Must be ordered separately.
Not included in this tool kit.



INSERTION TOOL

Used for installing and removing 5/32" plastic air lines in small spaces.



TOOL-78 AL-362

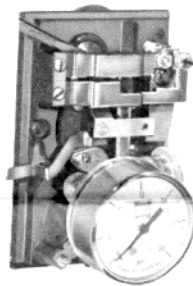


TOOL-78
ADAPTOR



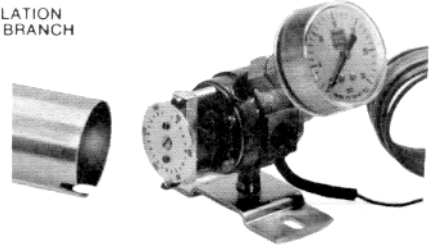
AL-362
GAUGE

Used to adapt test gauge to branch test port for TK-1000, TK-6000 PN thermostats.



PROPER INSTALLATION
OF GAUGE AND BRANCH
TEE ASSEMBLY

ROOM THERMOSTAT



DUCT THERMOSTAT

TOOL-80-1



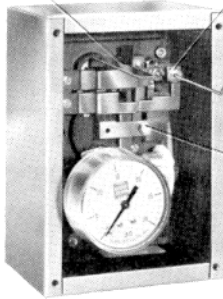
COMBINATION
MANUAL CHANGEOVER
CALIBRATION WRENCH

Manual changeover wrench used for TK-1201, TK-1301, TK-1601, TK-13000, TK-14000 series. Calibration wrench used for TK-1700 and TK-1800 series.

NOTE

The hex nuts on the setpoint adjusting screws are a tension device only. They should not be loosened to make an adjustment.

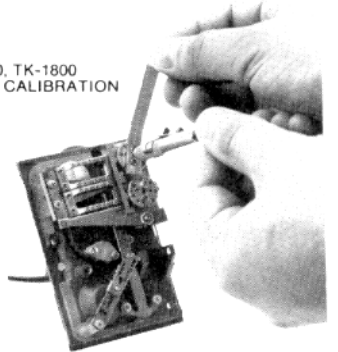
CHANGEOVER WRENCH
INSTALLED CORRECTLY



15 PSIG BIMETAL
CALIBRATION SCREW

20 PSIG BIMETAL
CALIBRATION SCREW

TK-1700, TK-1800
SERIES CALIBRATION



On October 1st, 2009, TAC became the Buildings business of its parent company Schneider Electric. This document reflects the visual identity of Schneider Electric, however there remains references to TAC as a corporate brand in the body copy. As each document is updated, the body copy will be changed to reflect appropriate corporate brand changes.

Copyright 2010, Schneider Electric
All brand names, trademarks and registered
trademarks are the property of their respective
owners. Information contained within this
document is subject to change without notice.

Schneider Electric
1354 Clifford Avenue
P.O. Box 2940
Loves Park, IL 61132-2940

www.schneider-electric.com/buildings

Schneider
Electric