

Application

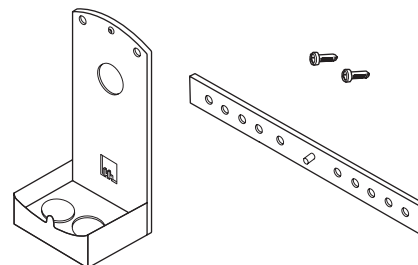
The AM-728 accessory kit provides a conduit connection for the MF40-6043 and MS40-6043 series 35 in.-lb. non-spring return direct coupled damper actuators.

Specifications

- Contains:
 - Adaptor mounting bracket.
 - Conduit adaptor.
 - Mounting screws (2).
- Actuators:
 - MF40-6043
 - MS40-6043

AM-728

Accessory Kit



Application

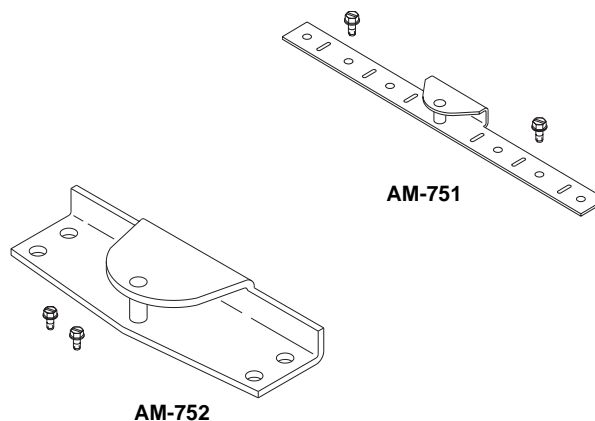
The AM-751 and AM-752 anti-rotation brackets are used to hold the actuator in position during operation. The AM-752 is for mounting in narrow spaces.

Specifications

- Material: zinc dichromate plated steel.
- Provides a narrow mounting option for the following actuators:
 - MA40-717X.
 - MF40-717X.
 - MS40-717X.
 - MF40-6343.
 - MS40-634X.
 - MS50-H2X01.
 - MS50-E2X01.

AM-751 and AM-752

Anti-rotation Bracket



Application

The AM-753 and AM-754 shaft mounting clamps are used to clamp the actuator to the damper shaft. The AM-753 is used for a 5/8" (16 mm) square shaft, or 3/4" to 1" (19 mm to 25 mm) round shaft. Two clamps are in each package. The AM-754 is used for a 3/8" to 1/2" (10 to 13 mm) round and square shaft. Two clamps are in each package.

Specifications

- Material: zinc dichromate plated steel.
- For use with the following actuators:
 - MA40-717X.
 - MF40-717X.
 - MS40-717X.
 - MF40-6343.
 - MS40-634X.
 - MS50-H2X01.
 - MS50-E2X01.

AM-753, AM-754

Universal Mounting Clamps

