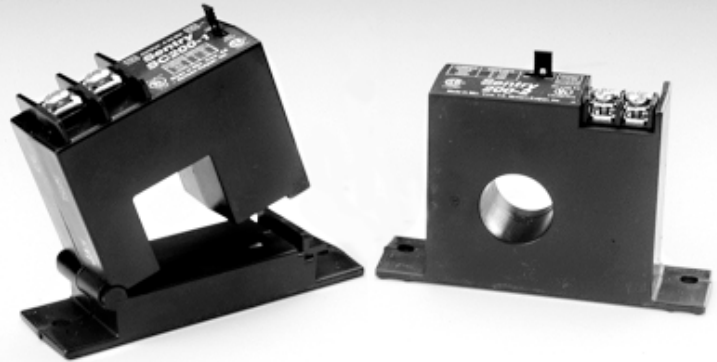


SENTRY 100/200 Series

AC Current Transducers with 0-5/10VDC or 4-20mA Output

The Sentry 100/200 Series AC Current Transducers provide a voltage or current signal proportional to monitored current up to 200A. Available in both solid core and split core configurations.



FEATURES



**Variable
Frequency
Integration
for VFDs**

New VFI Technology for VFDs

New Variable Frequency Integration technology uses high speed sampling to provide accurate measurements of current on the load side of VFDs.

Reliability

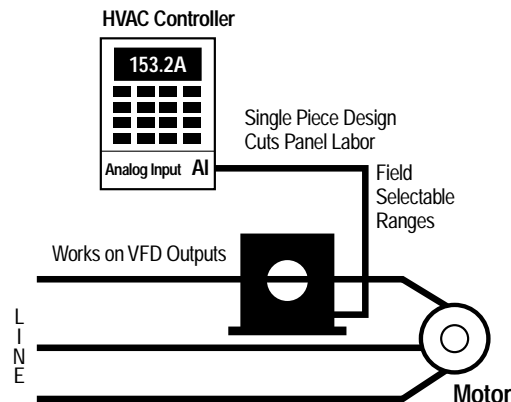
Field-proven in hundreds of thousands of installations since 1982. Solid performance even in rooftop environments. Backed by five-year warranty.

Convenience

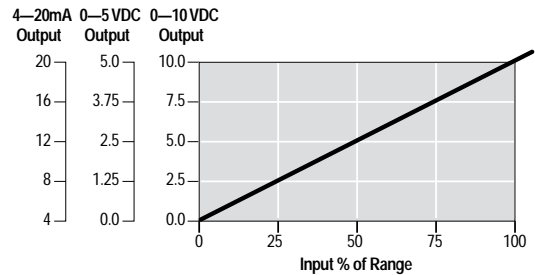
Compact size, integral mounting flange, and two-wire hookup assure an installation that is simple, fast, and secure. You save money and avoid callbacks. The split core version simplifies retrofits.

APPLICATIONS

- **Automation Systems:** Analog current reading for remote monitoring and software alarms
- **Fan/Pump Status:** Electronic proof of flow
- **Sense High Current:** Accurately read the secondary current from high ratio CTs



SIGNAL DIAGRAM

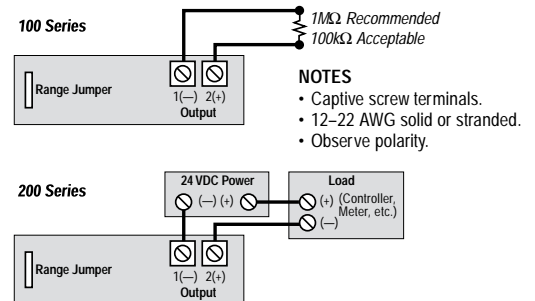


INPUT MAXIMUMS

RANGE	MAXIMUM CONTINUOUS	MAX. 6 SEC.	MAX. 1 SEC.
0-2A	40A	60A	100A
0-5A	100A	124A	250A
0-10A	80A	125A	250A
0-20A	110A	150A	300A
0-50A	175A	215A	400A
0-100A	200A	300A	600A
0-150A	300A	450A	800A
0-200A	400A	500A	1,000A

See Ordering Information for models with listed ranges.

CONNECTIONS

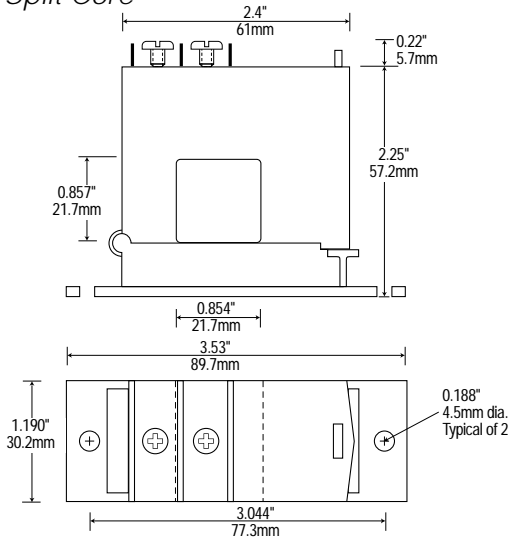


Neilsen-Kuljian, Inc.
(800) 959-4014
www.SentrySensors.com

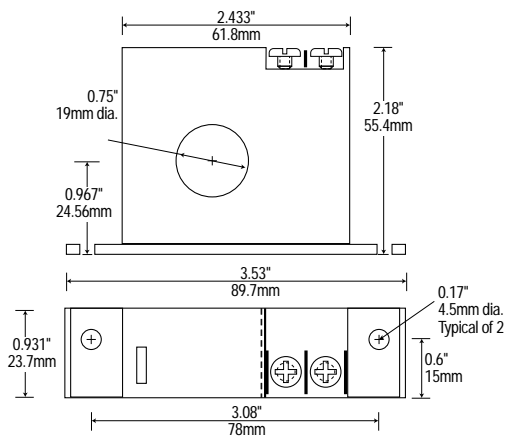
SENTRY 100/200 SERIES

AC Current Transducers with 0-5/10VDC or 4-20mA Output

Split Core



Solid Core



SPECIFICATIONS

Output Signal	0-5VDC, 0-10VDC, 4-20mA (see Ordering Info)
Accuracy	0-5/10VDC: 1% FS over 5-100% of range 4-20mA: 0.5% FS
Response Time, 0-90%	0-5/10VDC: 100 mS 4-20mA: 300 mS
Frequency Range	0-5/10VDC: 50-60Hz 4-20mA w/o VFI: 20-100Hz 4-20mA w/ VFI: 10-400Hz
Power Supply	0-5/10VDC: Self-powered 4-20mA: 12-40VDC, Loop-powered
Output Load, 0-5/10VDC	1 Megohm required for rated accuracy 100K Ohm Load, add 1.3% error
Output Load, 4-20mA	950 ohms max @ 24 VDC $R_{max} = (V_{supply} - 5) / 0.020A$
Output Signal Limit	2x rated output
Isolation Voltage	UL listed to 1270 VAC, tested to 5kV
Input Ranges	Field Selectable Ranges from 0-200A (see Ordering Info)
Sensing Aperture	Solid core: 0.75" dia. Split core: 0.85" sq.
Case	UL 94V-0 Flammability rated thermoplastic
Environmental	0-5/10VDC: -58/149° (-50/65°C) 4-20mA: -4/122°F (-20/50°C) For all: 0-95% RH, non-condensing
Approvals	UL, ULC, CE

Need an interposing relay? See the new PowerBASE Relay on page 13.

ORDERING INFORMATION

4-20mA Output Models

(Specify VFI when measuring VFD loads)

MODEL	RANGE	VFI	CASE
200-05	0-2, 0-5A	No	Solid Core
200-1	0-10, 0-20, 0-50A	No	Solid Core
200-2	0-100, 0-150, 0-200A	No	Solid Core
SC200-05	0-2, 0-5A	No	Split Core
SC200-1	0-10, 0-20, 0-50A	No	Split Core
SC200-2	0-100, 0-150, 0-200A	No	Split Core
200-05-V	0-2, 0-5A	Yes	Solid Core
200-1-V	0-10, 0-20, 0-50A	Yes	Solid Core
200-2-V	0-100, 0-150, 0-200A	Yes	Solid Core
SC200-05-V	0-2, 0-5A	Yes	Split Core
SC200-1-V	0-10, 0-20, 0-50A	Yes	Split Core
SC200-2-V	0-100, 0-150, 0-200A	Yes	Split Core

VDC Output Models

MODEL	RANGE	OUTPUT	CASE
100-1L	0-10, 0-20, 0-50A	0-5VDC	Solid Core
100-2L	0-100, 0-150, 0-200A	0-5VDC	Solid Core
100-3L	0-10, 0-20, 0-50A	0-10VDC	Solid Core
100-4L	0-100, 0-150, 0-200A	0-10VDC	Solid Core
SC100-1L	0-10, 0-20, 0-50A	0-5VDC	Split Core
SC100-2L	0-100, 0-150, 0-200A	0-5VDC	Split Core
SC100-3L	0-10, 0-20, 0-50A	0-10VDC	Split Core
SC100-4L	0-100, 0-150, 0-200A	0-10VDC	Split Core

Contact Neilsen-Kuljian for availability of the earlier 100 Series products which have a 10% signal offset.



Neilsen-Kuljian, Inc.
(800) 959-4014
 sales@SentrySensors.com