

HUMIDITY / TEMP SENSOR

For Additional Information See HU-226 Data Sheet

HUMIDITY TRANSDUCER SPECIFICATIONS

Accuracy*: ± 2% / ±3% RH

Range: 0-100% RH

Hysteresis: ± 1%

Supply Voltage: 12-40 VDC
 12-35 VAC (VDC output units only)

Compensated Temp Range: -30°F to 130°F (-35°C to 55°C)

Load Impedance: 1.5K ohms max. at 40 VDC (mA output units)
 1K ohms min. (VDC output units)

* Includes non-linearity and non-repeatability

THERMISTOR SENSOR SPECIFICATIONS

Interchangeability: ± 0.2°C

Heat Dissipation: 3.0 mW/°C

R/T Characteristics: Refer to TI.700-11 (See Temperature Sensor section)

Operating Temp Range: -30°F to 130°F (-35°C to 55°C)

PLATINUM RTD SENSOR SPECIFICATIONS

Accuracy: 0.12% at 0°C

Resistance: 100 or 1,000 ohm at 0°C

Standard: DIN 43760

Heat Dissipation: 3.0 mW/°C

R/T Characteristics: Refer to TI.700-11 (See Temperature Sensor section)

Operating Temp Range: -30°F to 130°F (-35°C to 55°C)

GENERAL SPECIFICATIONS

Environmental: 10-90%RH Non-Condensing

Enclosure: 18 Ga C.R. Steel NEMA 4 (IP-65)

Finish: Baked on enamel - PMS2GR88B

Termination: Unpluggable screw terminal block

Wire Size: 12 Ga maximum

Weight: Duct Mount: 1.0 lbs. (.45 kg)

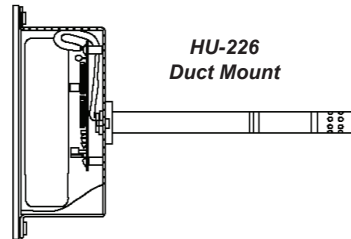
CONFORMANCE & TESTING

RoHS Compliant

EMC Testing: BS EN 55022:1998, BS EN 55024:1998,
 EN 61000-3-3, EN 61000-4-2,
 EN 61000-4-3, EN 61000-4-4,
 EN 61000-4-5, EN 61000-4-6
 EN 61000-4-11

ORDERING INFORMATION - HU-226-

ACCURACY	OUTPUT	TEMP SENSOR
± 2%	mA (4-20 mA 2-wire)	1 100 ohm Platinum RTD
		2 1,000 ohm Nickel RTD (5,000 PPM)
± 3%	VDC (0-5 VDC/0-10 VDC field selectable)	3 1,000 ohm Platinum RTD
		4 1,000 ohm Nickel RTD (6,000 PPM)
		5 1,000 ohm Balco RTD
		7 10,000 ohm NTC Thermistor (Type III)
		8 10,000 ohm NTC Thermistor (Carel)
		10 3,000 ohm NTC Thermistor
		12 10,000 ohm NTC Thermistor (Type II)
		13 5,000 ohm NTC Thermistor
		14 1,035 ohm Silicon PTC
		15 100,000 ohm NTC Thermistor
		16 10,000 ohm NTC Thermistor (Eliwell)
		17 20,000 ohm NTC Thermistor
		18 2,252 ohm NTC Thermistor
		21 1,800 ohm NTC Thermistor



Ex: HU-226-2-mA-3 - Humidity/Temp Sensor, ±2%RH accuracy with 4-20 mA output and 1,000-ohm Platinum RTD.

For Resistance vs. Temperature Tables, please refer to TI.700.11

INSTALLATION

Inspection Inspect the package for damage. If damaged, notify the appropriate carrier immediately. If undamaged, open the package and inspect the device for obvious damage. Return damaged products.

- Requirements**
- Tools (*not provided*)
 - Digital Volt-ohm Meter (DVM)
 - Appropriate screwdriver for mounting screws
 - Appropriate drill and drill bit for mounting screws
 - Appropriate accessories
 - Two #8 self-tapping mounting screws (*not provided*)
 - Training: *Installer must be a qualified, experienced technician*

- Warning:**
- Do not use on oxygen service, in an explosive/hazardous environment, or with flammable/combustible media.
 - Disconnect power supply before installation to prevent electrical shock and equipment damage.
 - Make all connections in accordance with the job wiring diagram and in accordance with national and local electrical codes. Use copper conductors only.



- Caution:**
- Use electrostatic discharge precautions (e.g., use of wrist straps) during installation and wiring to prevent equipment damage.
 - Avoid locations where severe shock or vibration, excessive moisture or corrosive fumes are present. NEMA Type 4 housings are intended for outdoor use primarily to provide a degree of protection against wind-blown dust, rain, and hose-directed water.
 - Do not exceed ratings of the device.



HUMIDITY / TEMP SENSOR

Mounting HU-226 (DUCT) - Refer to Figure 6 for mounting dimensions.

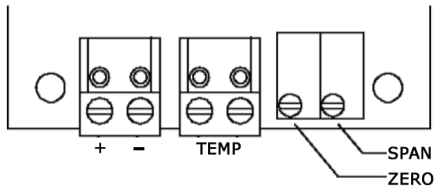
1. Drill 5/8" hole in appropriate location.
2. Mount transducer on a vertical surface with two #8 self-tapping screws (*not provided*).
3. Pull wires through knockout and make necessary connections (*see wiring diagrams*).
4. Replace cover and tighten Philips screws.

Wiring Use maximum 12 AWG wire for wiring terminals. Refer to **Figures 1, 2, 3, & 4** for wiring information and **Figure 5** for dip switch designations.

mA Output

Wiring HU-226 Units with mA Output

HU-226 Humidity Transducer with mA Output



HU-226 humidity transducers are 4-20 mA output units powered with a 12-40 VDC supply.

The following describes the proper wiring of these humidity and temp sensors with mA output:

HUMIDITY SENSOR:

1. Remove the terminal block by carefully pulling it off the circuit board.
2. Locate the [+] and [-] terminal markings on the board.
3. Attach the supply voltage to the [+] lead.
4. Connect the 4-20 mA output (- terminal) to the controller's input terminal.
5. Ensure that the power supply common is attached to the common bus of the controller.
6. Re-insert the terminal block to the circuit board and apply power to the unit.
7. Check for the appropriate output signal using a DVM set on DC milliamps connected in series with the [-] terminal.

TEMP SENSOR:

1. Remove the terminal block by carefully pulling it off the circuit board.
2. Use shielded 18-22 AWG wire to connect temp sensor as shown in **Figures 1 & 2**.

TYPICAL APPLICATIONS (wiring diagrams)

Figures 1 & 2 illustrate typical wiring diagrams for the HU-226, 4-20 mA, two-wire humidity transducers.

Figure 1 - Wiring for mA Output Humidity Transducer with External DC Power Supply

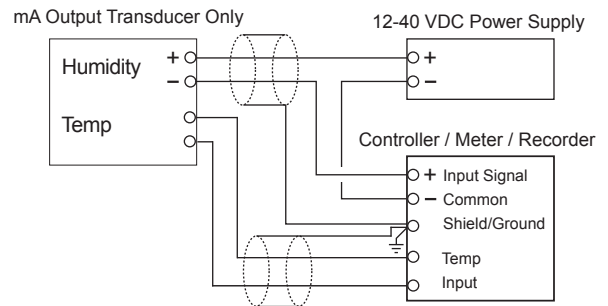
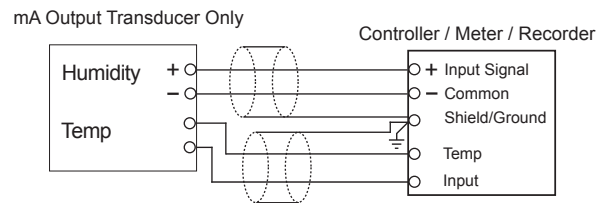


Figure 2 - Wiring for mA Output Humidity Transducer where Controller or Meter has Internal DC Power Supply



Caution: If you are using grounded AC, the hot wire must be on the [+] terminal. Also, if you are using a controller without built-in isolation, use an isolation transformer to supply the HU-226 transducer.



Caution: This product contains a half-wave rectifier power supply and must not be powered off transformers used to power other devices utilizing non-isolated full-wave rectifier power supplies.

Caution: When multiple units are powered from the same transformer, damage will result unless all 24G power leads are connected to the same power lead on all devices. It is mandatory that correct phasing be maintained when powering more than one device from a single transformer.

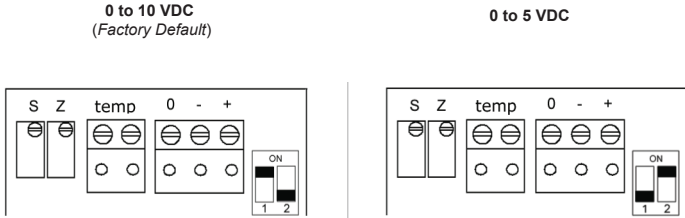


HUMIDITY / TEMP SENSOR

VDC Output

Wiring HU-226 Units with VDC Output

HU-226 Humidity Transducer with VDC Output



HU-226 humidity transducers with VDC output are field selectable 0-5 VDC or 0-10 VDC output and can be powered with either 12-40 VDC or 12-35 VAC.

The following describes the proper wiring of these humidity transducers with VDC output:

HUMIDITY SENSOR:

1. Remove the terminal block by carefully pulling it off the circuit board.
2. Locate the [+], [-] and [O] terminal markings on the board.
3. Attach the power wires to the [+] and [-] terminals. The [-] terminal is also the negative output terminal.
4. Connect the [O] terminal, which is the positive VDC output terminal, to the controller's input terminal.
5. Re-insert the terminal block to the circuit board and apply power to the unit.
6. Check the appropriate VDC output using a voltmeter set on DC volts across the [O] and [-] terminals.

TEMP SENSOR:

1. Remove the terminal block by carefully pulling it off the circuit board.
2. Use shielded 18-22 AWG wire to connect temp sensor as shown in **Figures 3 & 4**.

TYPICAL APPLICATIONS (wiring diagrams)

Figures 3 & 4 illustrate typical wiring diagrams for the HU-226, 0-5/0-10 VDC output humidity transducers.

Figure 3 - Wiring for VDC Output when applied with External AC Supply

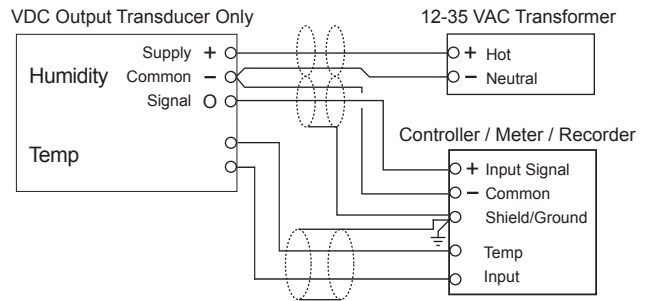


Figure 4 - Wiring for VDC Output when applied with External DC Power Supply

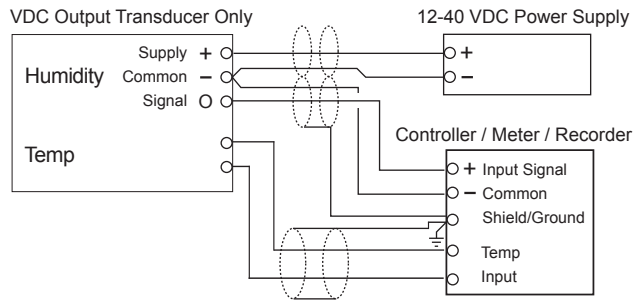
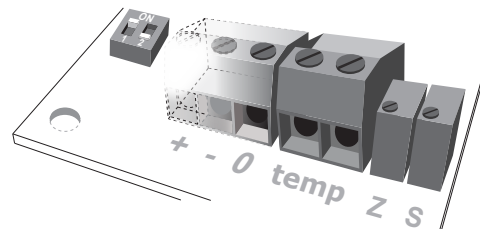


Figure 5 - Dip Switch Settings for HU-226 VDC Output

HU-226 DUCT MOUNT	
0 to 10 VDC (default)	
0 to 5 VDC	





HUMIDITY / TEMP SENSOR

- CHECKOUT**
1. Verify that the unit is mounted in the correct position.
 2. Verify appropriate input signal and supply voltage.



CAUTION: Never connect 120 VAC to these transducers. Never connect AC voltage to a unit intended for DC supply.

3. Verify appropriate configuration range.

Transducer Operation **NOTE:** The HU-226 is a highly accurate device. For applications requiring a high degree of accuracy, the use of laboratory-quality meters and gauges are recommended.

CALIBRATION All units are factory calibrated to meet or exceed published specifications. If field adjustment is necessary, follow the instructions below.

Calibration of HU-226 mA/VDC Humidity Transducer

Field calibration instructions are provided with the following precautions and advice:

1. Do not verify comparative RH with a sling Psychrometer. There are far too many variables which induce errors into this process. New HU-226 RH transducers are already supplied with calibration.
2. Recalibration must be done in a controlled environment. Relative humidity must be held stable while making any adjustment.
3. Verify the output from the device directly with calibrated instrumentation and verify the RH with calibrated instrumentation, (NOT A CONTROLLER OUTPUT). With the correct power applied and only a meter connected to the output of the transducer, ensure that the output is proportional to the true RH.

4. A) SINGLE POINT CALIBRATION:

[NOTE: SELECT EITHER OPTION 1 OR OPTION 2, BUT NOT BOTH.]

- Option 1. Select a controlled humidity environment between 10 & 40% RH. Insure humidity is stable and adjust zero trimmer (Z).
- Option 2. Select a controlled humidity environment between 40 & 70% RH. Insure humidity is stable and adjust span trimmer (S).

- B) TWO-POINT CALIBRATION:** Select a controlled humidity environment between 10 & 40% RH. Insure humidity is stable and adjust zero trimmer (Z). Then select a controlled humidity environment between 70 & 75% RH. Insure humidity is stable and then adjust span trimmer (S).

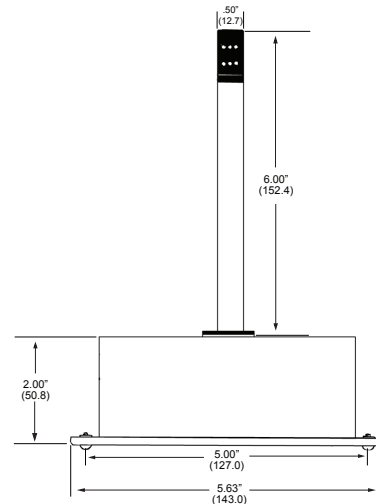
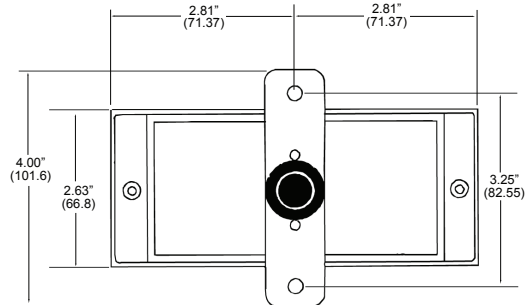
MAINTENANCE Regular maintenance of the total system is recommended to assure sustained optimum performance.

FIELD REPAIR None. Replace with a functional unit.

WARRANTY See Data Sheet for additional information.

DIMENSIONAL DATA

Figure 6 - HU-226 Humidity Transducer Dimensions shown in inches and millimeters (mm).



For Technical / Application Assistance call your nearest office



8189 Century Boulevard • Minneapolis, MN 55317-8002 • USA
 800-843-5116 • 952-556-4900 • Fax 952-556-4997
 sales@mamacsys.com • www.mamacsys.com

EUROPE
 4200 Waterside Centre
 Solihull Parkway
 Birmingham • West Midlands
 B37 7YN • United Kingdom
 01384-271113 • Fax 01384-271114

CANADA
 675 Cochrane Drive
 East Tower • 6th Floor
 Toronto • Ontario
 L3R 0B8 • Canada
 905-474-9215 • Fax 905-474-0876

ASIA
 1 Fullerton Road #02-01
 One Fullerton
 Singapore • 049213
 65-31581826 • Fax 65-31581826

AUSTRALIA
 4 Armiger Court, Unit 2
 Adelaide • S.A.
 5088 • Australia
 08-8395-4333 • Fax 08-8395-4433

MAMAC Systems, Inc., reserves the right to change any specifications without notice to improve performance, reliability, or function of our products.