

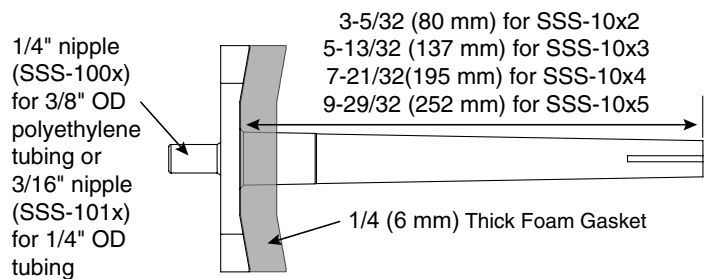
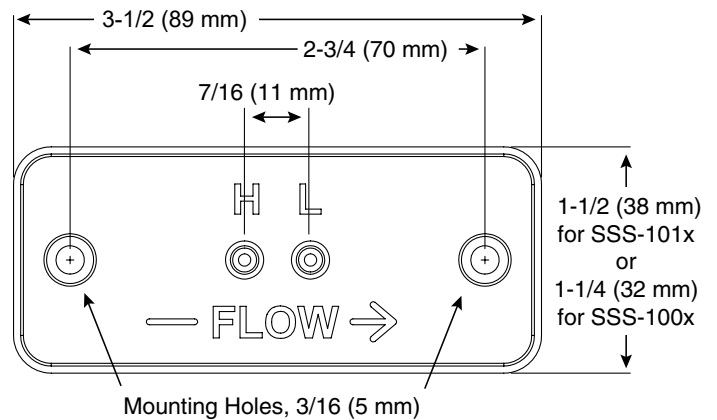
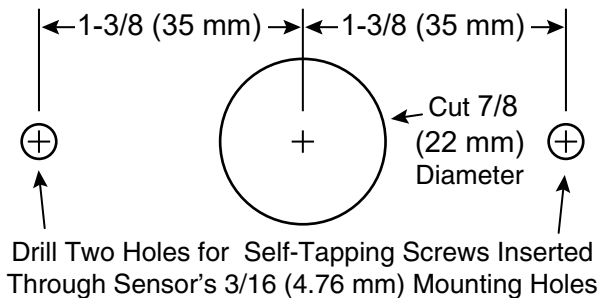
Installation Guide

Mounting

1. Determine the duct's flow direction and install the sensor based on the sensor's flow arrow imprint.

NOTE: The sensor must be mounted with the arrow pointing in the direction of the air flow.

2. Cut a 7/8" hole in the duct to accept the sensor's probes.
3. Attach the sensor to the duct using two self-tapping screws inserted through the sensor's 3/16" mounting holes.



Connections

Connect the sensor to the controller using appropriately sized polyethylene tubing:

- For using SSS-100x sensors with **CSC-3000** series, **CSP-4000/5000** series, **KMD-7000** series, and **BAC-7000/8000/9000** series controllers, use a **barb union adapter** and appropriately sized tubing to the sensor and controller. For maximum accuracy in the **CSP-5000** series, **KMD-7000** series, and **BAC-7000** series controllers, **the 3/8" OD tubing between the sensor and the adapter should be as short as possible, and the 1/4" OD tubing from the adapter to the controller should be 24" long (on both the High and the Low sides).**
- **OR** use the equivalent SSS-101x sensor and just 1/4" OD tubing (no adapter is necessary). For maximum accuracy in the **CSP-5000** series, **KMD-7000** series, and **BAC-7000** series controllers, the

1/4" OD tubing from the sensor to the controller should be 24" long (on both the High and the Low sides).

NOTE: For other controllers, the length of the tubing should not be longer than necessary.

NOTE: CSC-2000 series controllers have ports for 3/8" tubing (the same as the SSS-100x sensors).

Check that there are **no sharp bends** in the tubing at any connection. Bends and creases may leak as tubing ages.

1. Connect the Port "H" to the "High" input on the VAV controller.
2. Connect the Port "L" to the "Low" input on the VAV controller.

Select Specifications

Material	Light gray (SSS-100x) or almond (SSS-101x) ABS/polycarbonate (UL94-5V)
Connection	1/4" nipple (SSS-100x) for 3/8" OD polyethylene tubing or 3/16" nipple (SSS-101x) for 1/4" OD tubing
K Factors	See the data sheet for additional information!

NOTE: For the appropriate sensor "K" factor:

- For VAV controllers needing K_{CFM} for setup, see the "CFM" chart below and the device documentation for additional information. For **rectangular** ducts, $K_{CFM} = K_{FPM} \times (W'' \times H''/144)$ (with duct cross-section measurements in inches).
- For VAV controllers (needing K_{FPM} for setup), see the "Feet Per Minute" chart below and the device documentation for additional information.

"Cubic Feet Per Minute (CFM)" K Factors				
Round Duct Size (Diameter)	K_{CFM} Factor			
	SSS-10x2	SSS-10x3	SSS-10x4	SSS-10x5
4	301	NA	NA	NA
5	470	NA	NA	NA
6	677	648	NA	NA
7	922	882	NA	NA
8	1204	1152	1117	NA
9	1524	1458	1414	NA
10	1882	1800	1745	1745
12	2710	2592	2513	2513
14	3688	3528	3421	3421
16	4817	4608	4468	4468
18	6097	5832	5655	5655
22	9107	8711	8447	8447
24	10838	10367	10053	10053

"Feet Per Minute" K Factors	
Sensor Model	K_{FPM}
SSS-10x2	3450
SSS-10x3	3300
SSS-10x4	3200
SSS-10x5	3200

Maintenance

Sensing orifices must be kept free of dust accumulation or debris. The sensors are designed for dependable, long-term reliability and performance.

More Information

For **additional K factor** and other information, see the **SSS-1000 Series Data Sheet** on the KMC web site (www.kmcccontrols.com).

Important Notices

The KMC logo and KMC Controls are registered trademarks of KMC Controls, Inc.

All rights reserved. No part of this publication may be reproduced, transmitted, transcribed, stored in a retrieval system, or translated into any language in any form by any means without the written permission of KMC Controls, Inc.

The material in this document is for information purposes only. **The contents and the product it describes are subject to change without notice.** KMC Controls, Inc. makes no representations or warranties with respect to this document. In no event shall KMC Controls, Inc. be liable for any damages, direct or incidental, arising out of or related to the use of this document.

KMC Controls, Inc.

19476 Industrial Drive

New Paris, IN 46553

574.831.5250

www.kmcccontrols.com

info@kmcccontrols.com