



MERCURY DISPLACEMENT INDUSTRIES, INC.

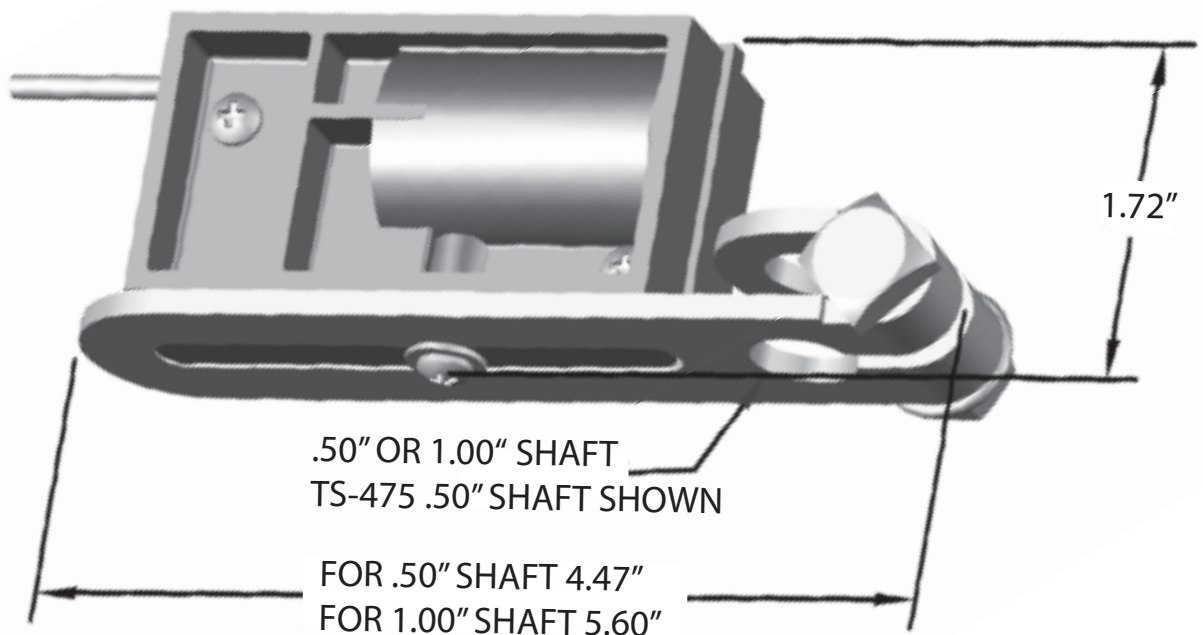
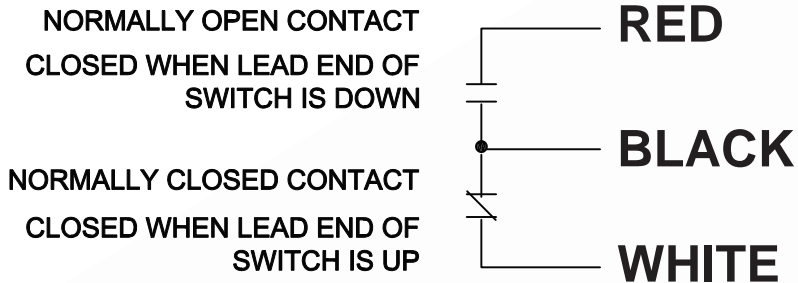
Post Office Box 710 - U.S. 12 East - Edwardsburg, Michigan 49112-0710

Phone (269) 663-8574 - Fax (269) 663-2924

(800) 634-4077

MECHANICAL DAMPER ARM SWITCH

TS-475 & TS1-475



WIRE: 18/3 CMP/CL39 PLENUM WIRE

HOUSING MAT'L: GLASS FILLED PBT

BRACKET MAT'L: PLATED STEEL

OPERATION: STEEL BALL ACTUATED SUBMINITURE SNAP ACTION SWITCH

RATINGS: 5 AMPS @ 120/240 VAC
5 AMPS @ 30 VDC

OPERATING ANGLE 15°: CONTACTS CLOSE @ 10° ABOVE HORIZONTAL
CONTACTS OPEN @ 5° BELOW HORIZONTAL