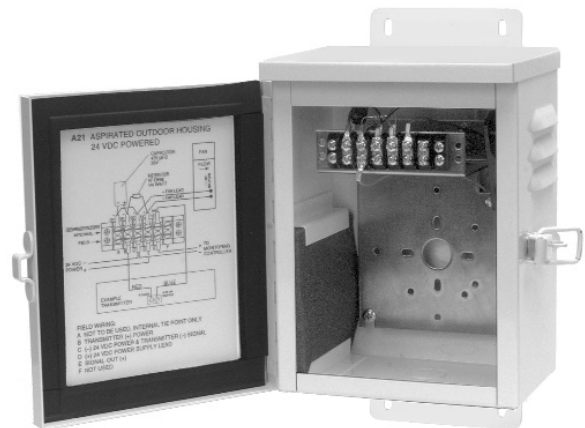


DESCRIPTION

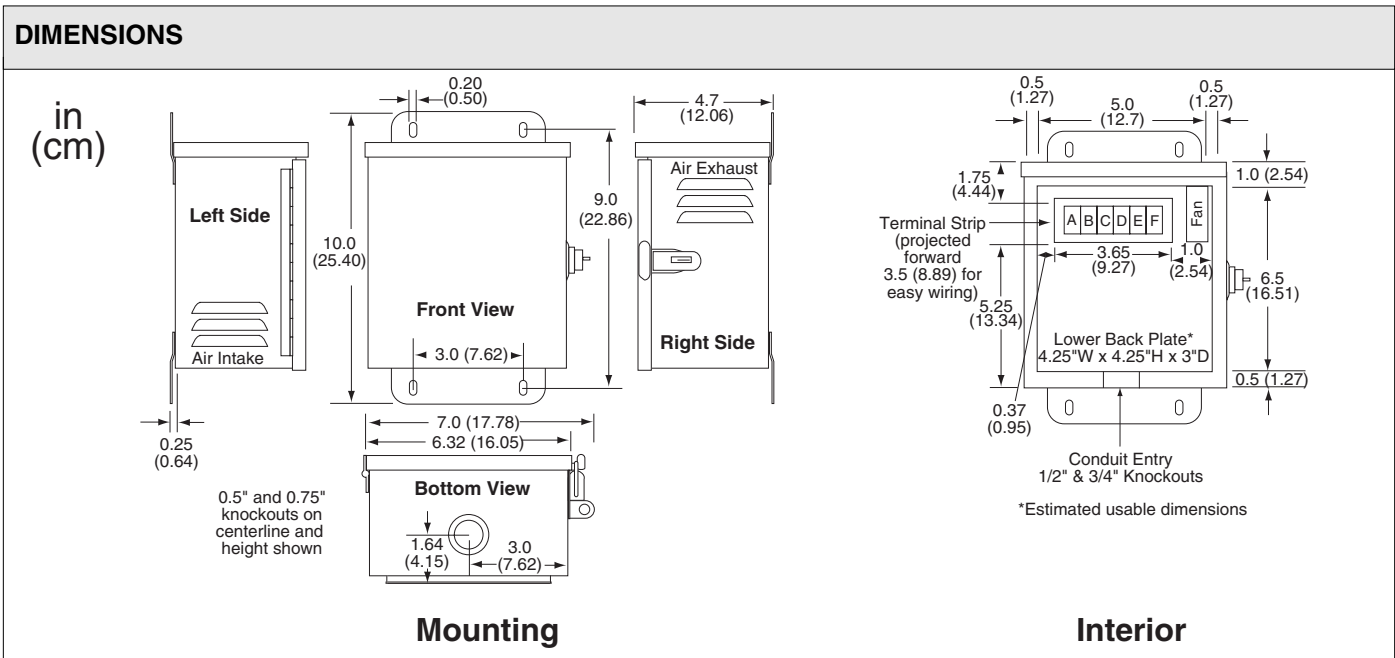
Model A21 Outdoor Aspirated Humidity/ Temperature Housing provides powered aspiration for outdoor monitoring of humidity and temperature. The NEMA 3R enclosure is painted white to reduce the effect of radiation, and the enclosure has a lockable latch for security.

OPERATION

The fan pulls air in from the lower vent intake and exhausts the air out the upper opposing vent of the enclosure. The 24 VDC power is supplied for both the fan and transmitters. The transmitter power is internally filtered from any fan motor noise that might affect the transmitter signal.



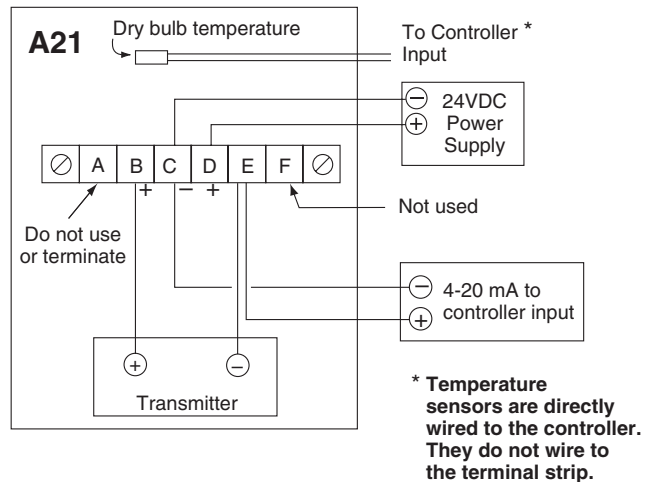
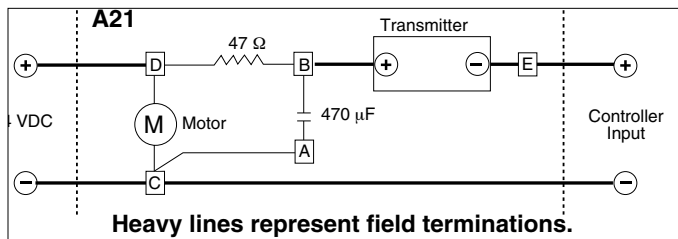
SPECIFICATIONS			
Supply voltage	24 VDC @ 110 mA (add power requirements for the humidity/temperature transmitters)	Temp range	-40° to 120°F (-40° to 49°C) (see "Related Products" section for added temperature requirements)
Impedance	47Ω added to the 4-20 mA transmitter	Enclosure	NEMA 3R with white enamel paint and latch for padlock
Weight	6 lb (2.72 kg)	Hinge	Piano-type, left-hand side
Air filter	Washable pocket foam filter		



WIRING

Connect the 24 VDC power to the terminals C(-) & D(+) as shown. Connect transmitter power from B(+) & E(return). Connect the monitoring controller to the C(-) & E(sig.+) terminals. Solidly ground the metal enclosure to provide a safe path for lightning surges.

CAUTION: The monitoring controller ground (-) should be wired directly from the A21 terminal C(-), not from the ground (-) of the power supply. Even though these two points are electrically the same, a ground loop can occur because of the higher current draw of the fan motor. This current could produce a large enough voltage drop to affect the transmitter readings.



MOUNTING & INSTALLATION

Location: Install the **Model A21** enclosure where the ambient temperature is within the specified operating environment of the enclosure and installed transmitters. Select a location shielded from the sun so that the humidity and temperature readings are not affected by the additional building heat radiation. Poor locations include above sun-exposed walls, windows, doors, and exhaust vents or under eaves, which can capture or expel tempered air.

Mounting: Mount vertically using the four holes on the top and bottom flanges. The conduit entry is on the bottom with either 1/2" or 3/4" conduit knockouts. Conduit entry from the side or top is ill-advised due to potential water penetration.

CAUTION: Remove the knockout on the bottom of the enclosure very carefully. Transmitters that are mounted above the knockouts may be damaged.

CHECK-OUT

Apply power to the **Model A21** after all the installation and wiring is complete. The fan should run immediately, and all transmitters should start to operate. There are no adjustments or calibrations required for the **Model A21** components. Follow the manufacturers recommendations for the transmitter checkout.

ORDERING INFORMATION

MODEL	DESCRIPTION
A21	Aspirated Sensor Housing

RELATED PRODUCTS

HW10K	3% Wall mount humidity sensor
HW20K	2% Wall mount humidity sensor
CT-829-A-MH	2% Wall mount humidity sensor
ST-R◇R	PreCon thermistor
ST-R81	100Ω Platinum 385
ST-R91S	1000Ω Platinum 375
ST-R78	2000Ω Balco, 4.96Ω/°F
T102-O-F	Solid-state temperature sensor
T102-O-I	Solid-state temperature sensor
PN46	Mounting clip for temperature sensor
A21-FAN	Replacement fan assembly
4TK248	Snap track for the HW10K, HW20K