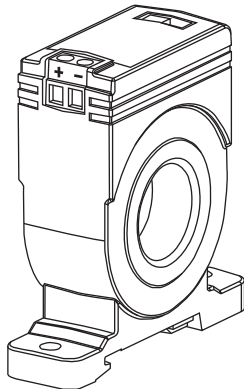




# 4CTV Series Current Sensor Installation Instructions



## Introduction

The 4CTV current sensor monitors line current of 0-20 Amps for electrical loads such as pumps, conveyors, machine tools or fans and provides a 0-5 Vdc analog output to represent the load current.

The sensor requires no external power supply as it is totally powered by induction from the AC line being monitored. The output signal is factory calibrated.

The sensors are typically used to monitor AC motor operation and can be used to determine motor failure, belt loss, machine feed rates or tool wear.

## \*\*\* WARNING \*\*\*

- **Electric Shock Hazard, Use Caution**
- Disconnect and lock out power before installation
- Follow national and local electrical codes
- Read and understand these instructions before installing
- Installation only by qualified electrical personnel
- Do not rely on this device to indicate line power
- Only install this device on insulated conductors
- Only install on 600 Vac maximum conductors
- Do not use this device for life-safety applications
- Do not install in hazardous or classified locations
- Install this product in a suitable electrical enclosure
- Failure to follow these instructions may result in serious injury or death.

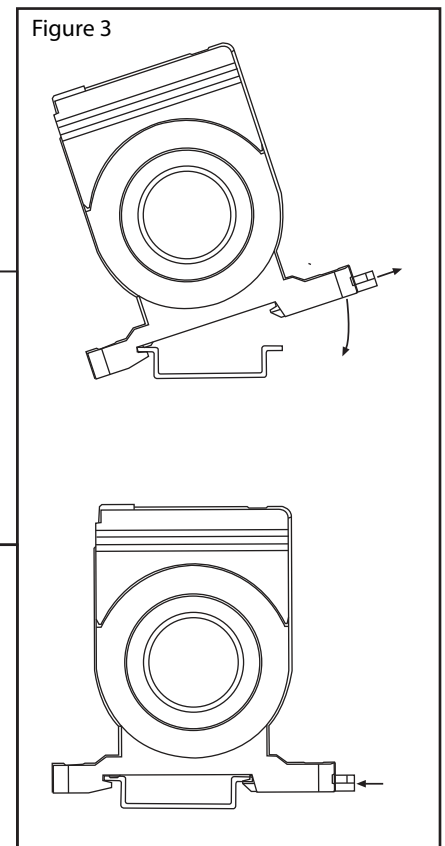
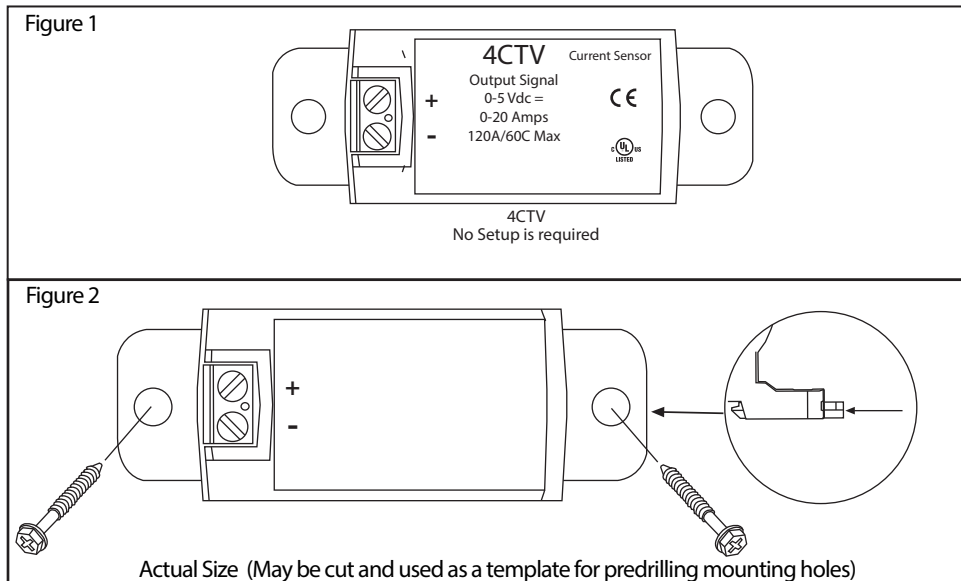
## Installation

- Read all warnings before beginning
- Ensure the selected device has the correct ratings for your application
- The 4CTV has one fixed range of 0-20 Amps. (See Figure 1)
- \*\*Disconnect and lock out power\*\***
- Mount the sensor with two screws through the base or snap onto a standard DIN mounting rail.

The base has an integral mounting tab to allow either screw mount to a surface or spring mount to a DIN rail.

To mount the device to a flat surface, select an area that will allow side and top access to wire device. Slide the mounting tab in so that both mounting holes are accessible. If predrilling is required, the actual device may be used to mark holes or simply cut out the pattern below in Figure 2. The mounting holes in the base will accommodate up to a #10 size screw (Not supplied) . See Figure 2

For DIN rail mounting, first slide the mounting tab to its outer position and then hook the fixed end to the DIN rail and finally the tab end may be snapped onto the rail. The tab may be pulled out slightly to allow easier mounting or to remove the device from the rail. See Figure 3.



# Installation continued

- Place the monitored conductor (must be insulated) through the sensor hole and reconnect. See Figure 4.
- Observe polarity and wire the output to the controller. Use 14-22 AWG shielded wiring for all connections and do not locate the device wires in the same conduit with wiring used to supply inductive loads such as motors. Make all connections in accordance with national and local codes. See Figure 5.
- Ensure the controller scale matches the sensed range. See specifications for model ranges
- Reconnect the power

## Applications

The 4CTV comes factory calibrated.

For applications with load currents exceeding the sensor current ranges, use an external CT to reduce the current to an acceptable value. For example, to measure a 500 Amp load current, use a 500A:5A CT and wrap the CT secondary through the 4CTV four times so the sensor output will be 0-5 Vdc = 0-500 Amps.

For applications with small load currents (such as less than 2 Amps), wrap the monitored conductor through the sensor aperture several times to increase the current measured by the sensor. For example, to measure 0-2 Amps with the 4CTV, wrap the conductor through the sensor aperture 10 times so the sensor output will be 0-5 Vdc = 0-2 Amps.

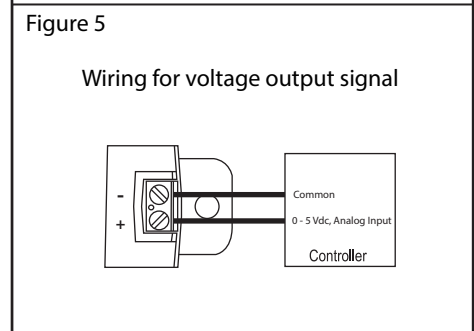
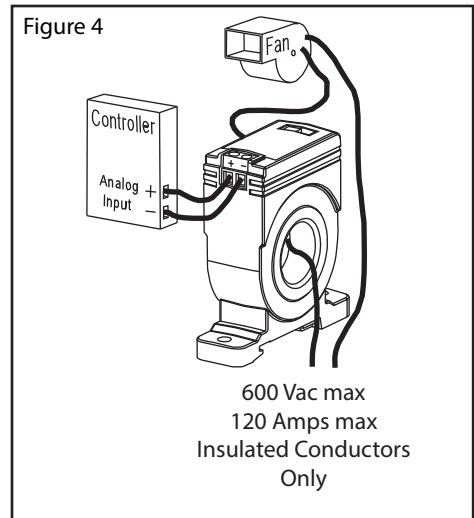
For external CT or multiple wrap applications, ensure the controller is scaled accordingly to obtain correct readings.

For any application with multiple wraps, note that the 4CTV maximum current rating must be divided by the number of wraps. For example, with one wrap the maximum current is 120 Amps, with 5 wraps the maximum current is  $120/5 = 24$  Amps. Ensure the load current is < 24 Amps or the device may overheat and be damaged.

Note these may not be practical applications, select the correct device for the current range required.

## Specification:

- Measurement Range:.....0-20 Amps
- Maximum Input Current:....120 Amps Continuous
- Accuracy:..... $\pm 2\%$  FSO (5-100% of range)
- Signal Output:.....0-5 Vdc
- Sensor Power:.....Self-powered
- Insulation Class:.....600 Vac, insulated conductors
- Frequency:.....50/60 Hz
- Response Time:.....200 mS Typical, 0-90 %
- Output Load:.....1 M $\Omega$  typical
- Loading Error:.....add 0.5% error with 100K $\Omega$
- Operating Temperature:.....-15 to 60 °C (5 to 140 °F)
- Operating Humidity:.....5 to 90% RH non-condensing
- Terminal Block:.....14 to 22 AWG
- Dimensions:.....67 x 68.6 x 24.1 mm  
(2.65 x 2.7 x 0.95 in)
- Sensor Aperture:.....20.3 mm (0.8 in)
- Enclosure Material:.....ABS/PC, UL94 V-0
- Agency Approvals:.....cULus Listed



4CTV Factory Calibrated Range

