

Repair Parts for Use with V-3752 Normally Open Valves 1/2 through 2 in.

Description

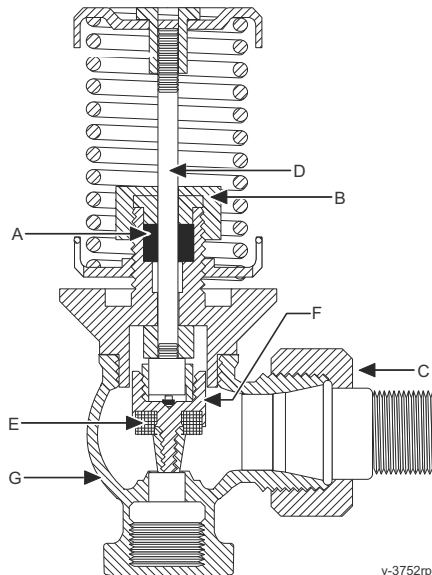
The available parts listed in the Selection Charts can extend the service life of the V-3752 Series valves and return the valves to near original operating performance.

Selection Charts

Repair Parts for Use with V-3752 Normally Open Valves 1/2 through 2 in.

Code Number ¹	Call-out	Description
V-9999-608	A	Packing Kit
V-3752-646	B	Packing Nut
	C	Union Nut and Male Tailpiece Assemblies for Valves with Union Connections
V-3752-636		Valve Size, in. 1/2
V-3752-637		3/4
V-3752-638		1
V-3752-639		1-1/4
	D	Stem and Swivel Assembly Includes Stem, Swivel, and Swivel Nut Lock Pin for Globe Valves
V-3752-6064		Valve Size, in. 1/2
	E	Disc Assemblies Include Disc, Disc Holder, Modulating Plug, and Three Pins for:
V-3020-6045		Globe Valves Valve Size, in. 1/2 Seat Size, in. 3/8 Cv 0.9
V-3020-6047		1/2 3/8 1.8
		Union Angle Valves Valve Size, in. 1/2 Seat Size, in. 3/8 Cv 1.1
V-3020-6045		1/2 3/8 1.1
V-3020-6047		1/2 3/8 2.5
	F	Disc Only
V-3020-6021		Valve Size, in. 1/2
V-3752-6047		3/4
V-3011-6001		1
V-3011-6002		1-1/4
	G	Union Globe Body Only
V-3752-6004		Valve Size, in. 3/4
V-3752-6005		1
	N/A	Inner Valve and Spring Assemblies for:
V-3752-6050		Globe Valves 3 to 6 psig Spring Valve Size, in. 1/2 Cv 0.9
V-3752-6051		1/2 1.8
		Union Angle Valves 3 to 6 psig Spring Valve Size, in. 1/2 Cv 2.5
V-3752-6052		1/2 2.5

1. The 1/2 through 2 in. size valves of this model discontinued in 1979.



Repair Parts, V-3752

Spring Kits and Reconditioning Kits for V-3752¹

Code Number	Valve Size, in.	Actuator Size	Spring Range, psig	Spring Kits ²	Reconditioning Kits ³
V-3752	1/2	V-3000	3 to 6	V-3752-6023	
			9 to 13	V-3752-6022	
	3/4		3 to 6	V-3752-6023	V-3752-6016 (Cv = 3.7) or V-3752-6027 (Cv = 3.8)
			9 to 13	V-3752-6022	
	1		3 to 6	V-3752-6024	V-3752-6017 (Cv = 7) or V-3752-6028 (Cv = 7)
			9 to 13	V-3752-6021	
	1-1/4		3 to 6	V-3752-6024	V-3752-6018 (Cv = 12) or V-3752-6019 (Cv = 12)
			9 to 13	V-3752-6021	
	1-1/2		3 to 6	V-3754-6010	V-3752-6020 (Cv = 20) or V-3752-6030 (Cv = 20)
			9 to 13	V-3754-6009	
	2		3 to 6	V-3754-6010	V-3752-6034 (Cv = 35) or V-3752-6031 (Cv = 26)
			9 to 13	V-3754-6009	

- The 1/2 through 2 in. size valves of this model discontinued in 1979.
- Spring kit includes spring, upper and lower spring seat, stem extension, stem lock screw, and instructions.
- Reconditioning kit includes O-ring, swivel nut, washer, disc, disc holder, contoured disc retainer, pins, swivel, spacer, stem, bonnet, packing, packing nut, and instructions, unless otherwise noted.