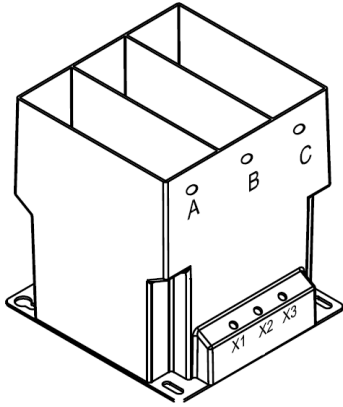




Indoor Voltage Transformer

Model 3PT3-60



CERTIFICATIONS:



ACCURACY CLASS:

0.3 WX, 0.6M, 1.2Y at 100% rated voltage with 120V based ANSI burden

FREQUENCY:

60 Hz.

THERMAL RATING:

700 VA total, 350 VA per phase, at 30°C. amb.
450 VA total, 225 VA per phase, at 55°C. amb.

STANDARD SECONDARY VOLTAGE:

120 volts

MAXIMUM SYSTEM VOLTAGE:

5.6 kV, BIL 60kV full wave

APPROXIMATE WEIGHT:

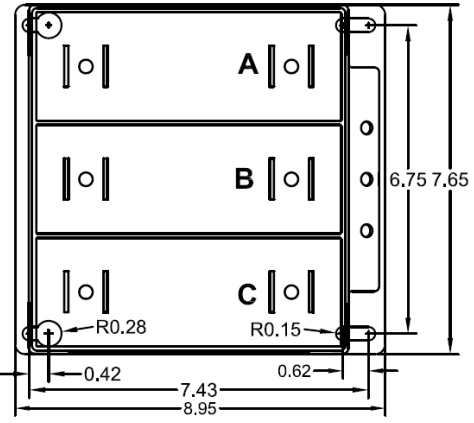
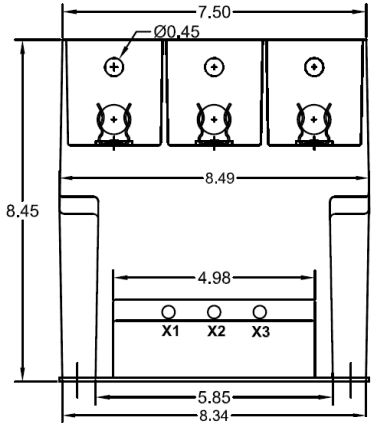
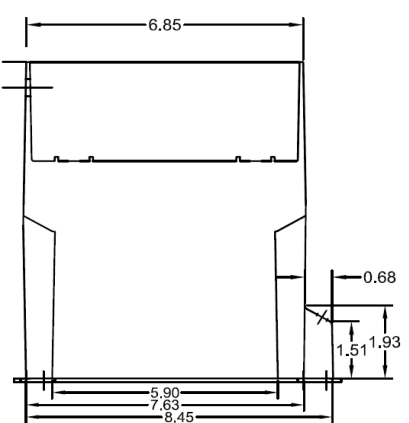
38 lbs.

- Primary terminals are No. 10-32 brass screws with one flat washer and lockwasher.
- The core and coil assembly is encased in a plastic enclosure and vacuum encapsulated in polyurethane resin.
- The transformers are tested for partial discharge to Canadian Standards CAN 3-C13-M83. This test can also be carried out to IEC requirements if requested.
- Recommended Spacing is for guidance only. The user needs to set appropriate values to assure performance for: high potential test; impulse test; high humidity; partial discharge; high altitude.

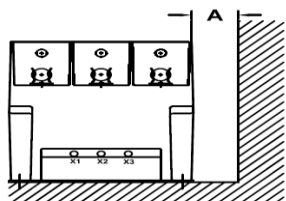
MODEL 3PT3-60

Approximate weight: 0.38 lbs.

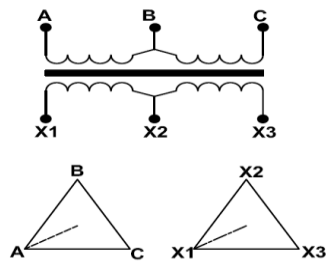
CATALOG NUMBER	PRIMARY VOLTAGE	RATIO	SECONDARY VOLTAGE	FREQUENCY Hz	THERMAL RATING	SUGGESTED FUSE RATING
3PT3-60-841-FFF	840	7:1	120	50 or 60	0.7 kVA	1.0 E
3PT3-60-242-FFF	2400	20:1	120	50 or 60	0.7 kVA	1.0 E
3PT3-60-322-FFF	3300	30:1	110	50 or 60	0.7 kVA	1.0 E
3PT3-60-422-FFF	4200	35:1	120	50 or 60	0.7 kVA	1.0 E
3PT3-60-482-FFF	4800	40:1	120	50 or 60	0.7 kVA	1.0 E
3PT3-60-552-FFF	5500	50:1	110	50 or 60	0.7 kVA	0.5 E
3PT3-60-602-FFF	6000	50:1	120	50 or 60	0.7 kVA	0.5 E
3PT3-60-662-FFF	6600	60:1	110	50 or 60	0.7 kVA	0.5 E
3PT3-60-722-FFF	7200	60:1	120	50 or 60	0.7 kVA	0.5 E



RECOMMENDED SPACING
A - CASE TO GROUND = 1.5" MIN



CONNECTION DIAGRAM



Products are manufactured in a plant whose quality management system is certified / registered as being in conformity with ISO 9001