



## Q5020A-D Globe Valve Linkages FOR DIRECT COUPLED ACTUATORS

The Q5020 Globe Valve Linkages connect a Honeywell direct coupled damper actuator to a steam or water globe valve. The Q5020 linkages are compatible with 2- and 3-way globe valves.

### SPECIFICATION DATA

## SPECIFICATIONS

#### Dimensions:

- See Fig. 1.

#### Temperature Range:

- Ambient Range: -40°F to 140°F (-40°C to 60°C).
- Medium Range: 32°F to 337°F (0°C to 169°C).

#### Actuator Required:

- See Product Data Sheet (form 63-2552).

#### Close-off Ratings:

- See Product Data Sheet (form 63-2552).

#### Valve Action:

- Determined by actuator rotation and mounting, and valve type.

#### Materials of Construction:

- Housing: Die-cast aluminum.
- Rack and Pinion Gears: Steel and powdered metal.
- Manual Override Lever: Steel.

#### Accessories:

- 32004629-001 Bonnet Adapter Kit for 1/2 to 3 in. Siemens Globe Valves.
- 32004629-002 Bonnet Adapter Kit for 1/2 and 3/4 in. Johnson Globe Valves.
- 32004629-003 Bonnet Adapter Kit for 1 to 2 in. Johnson Controls Globe Valves.
- 32004629-004 Bonnet Adapter Kit for 1/2 to 2 in. Siebe Globe Valves.

#### Models:

<b>Q5020</b>	Globe Valve Linkage for direct coupled actuator (DCA)		
	<input type="checkbox"/> <b>A</b>	3/4 in. stroke, 1/2 in. shaft, 25 to 175 lb-in. DCA	
	<input type="checkbox"/> <b>B</b>	3/4 in. stroke, 1 in. shaft, 300 lb-in. (Non-Spring Return) DCA	
	<input type="checkbox"/> <b>C</b>	1-1/2 in. stroke, 1 in. shaft, 142 to 175 (Spring Return) or 300 (Non-Spring Return) lb-in. DCA	
	<input type="checkbox"/> <b>D</b>	1/2 in. stroke, 1/2 in. shaft, 25 to 175 lb-in. DCA	
<b>Q5020</b>	<b>A</b>	<b>XXXX</b>	Varies by model

## FEATURES

- Used with 2-way and 3-way globe valves in modulating or two-position service.
- Used with 25, 50, and 142 lb-in. spring return and 35, 70, 150, and 300 lb-in. non-spring return direct coupled actuator (DCA).
- Quick and simple installation with no disassembly required.
- Heavy-duty self-lubricating powdered-metal rack-and-pinion, aluminum die-cast housing, and zinc chromate-plated steel mounting bracket and handle.
- Maintenance-free construction.
- Precision roller-bearing rack construction prevents premature valve packing wear and leakage.
- Flexible actuator mounting orientation.
- Adjustable manual override lever and valve position indicator.
- Can be mounted on specific non-Honeywell valves using a 32004629 Bonnet Adapter Kit.



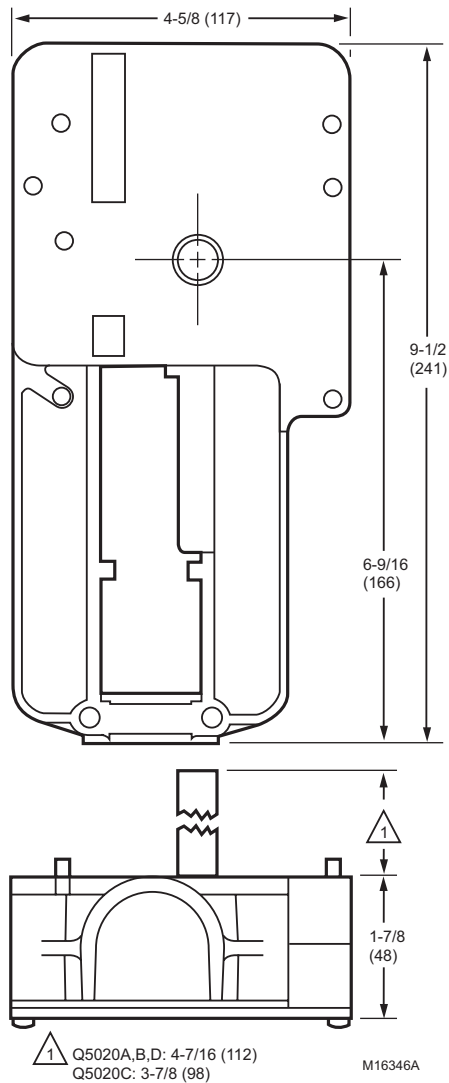


Fig. 1. Q5020 Dimensions in in. (mm).

## TYPICAL SPECIFICATION

All globe valve/direct coupled actuator linkages shall have an all metal housing. All linkage drive mechanism designs shall have a self-lubricating rack-and-pinion constructed of powdered metal and/or steel. The linkage shall include an adjustable manual override handle that can be removed without affecting linkage operation.

All linkage models shall be able to withstand a minimum torque of 300 lb-in on the pinion without failure, for the rated life cycle of the actuator used. Minimum width of rack and pinion gears shall be 3/4 in. A roller bearing directly opposing the pinion shall back-up the rack. Rack attachment to the valve stem shall not be threaded.

The linkage shall require no disassembly or gear adjustment before, or during installation. The linkage shall be designed such that the actuators can be mounted at various orientations for installation flexibility with limited space requirements. All linkages and actuators must be manufactured by the same company under ISO 9001 International Quality Control Standards.

By using this Honeywell literature, you agree that Honeywell will have no liability for any damages arising out of your use or modification to, the literature. You will defend and indemnify Honeywell, its affiliates and subsidiaries, from and against any liability, cost, or damages, including attorneys' fees, arising out of, or resulting from, any modification to the literature by you.

**Honeywell**

