

PHARMAPRO, TYPE 4X



INDUSTRY STANDARDS

UL 508A Listed; Type 4, 4X, 12, 13; File No. E61997
 cUL Listed per CSA C22.2 No 94; Type 4, 4X, 12, 13; File No. E61997

NEMA/EEMAC Type 4, 4X, 12, 13
 IEC 60529, IP66

APPLICATION

PHARMAPRO Enclosures are specifically designed for the pharmaceutical industry with flush mounting and a low RA value finish that minimizes surface crevices for thorough wipe-downs and eliminates areas where contaminants can accumulate. The mounting system pulls the enclosure flush and tight to the wall and can be used on block or stud walls.

FEATURES

- Specifically designed for pharmaceutical industry—flush mounting and flat surfaces eliminate areas where contaminants can accumulate
- Low RA value of PHARMAPRO finish minimizes surface crevices, allowing for a thorough wipe-down
- Enclosure does not protrude into the manufacturing area
- Mounting system included

SPECIFICATIONS

- Enclosure body manufactured from 14 gauge Type 304 stainless steel
- Mounting flange manufactured from 10 gauge Type 316L stainless steel
- Screw cover and hinged door manufactured from 12 gauge Type 316L stainless steel
- Seams continuously welded and ground smooth
- Type 316L stainless steel lift-off hinges used with hinged door
- Type 316L stainless steel slotted oval-head fasteners used with screw cover
- Stainless steel quarter-turn latches used with hinged door
- FDA-approved silicone gasket
- Grounding stud on body; bonding provision on cover or door

FINISH

PHARMAPRO low RA finish (typically 15-20 RA) applied to cover, door and mounting flange

ACCESSORIES

See also Accessories.
 Industrial Corrosion Inhibitors
 CONCEPT Panels

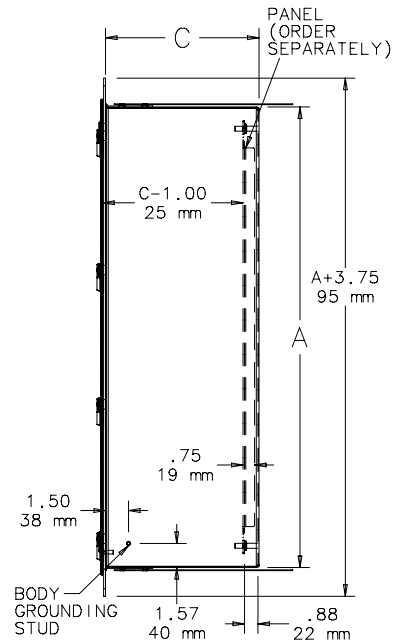
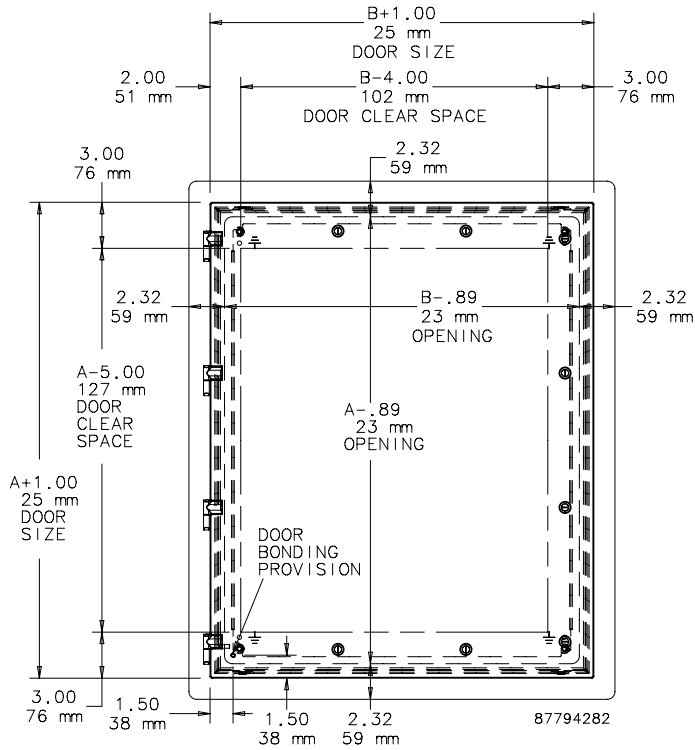
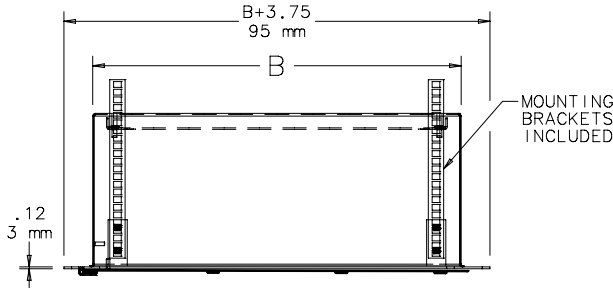
MODIFICATION AND CUSTOMIZATION

Hoffman excels at modifying and customizing products to your specifications. Contact your local Hoffman sales office or distributor for complete information.

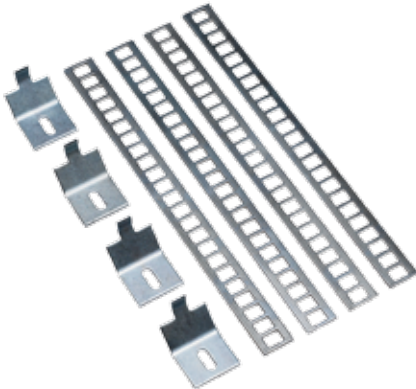
BULLETIN: A20S

Standard Product **Hinged-Door**

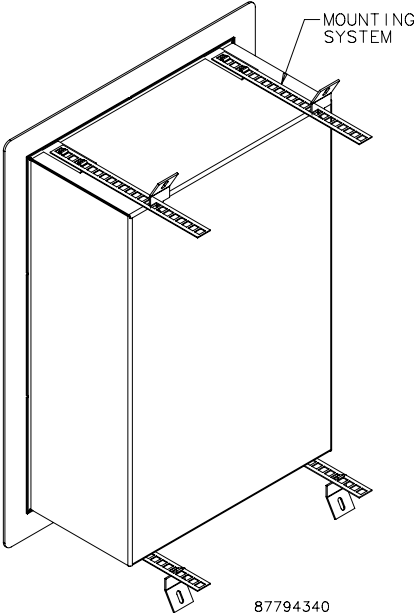
Catalog Number	AxBxC in./mm	Door Gauge	Body Gauge	Size of Mounting Cutout in./mm	Panel	Latches Qty.
AFM20144SS	20.00 x 14.00 x 4.00 508 x 356 x 102	12	14	21.00 x 15.00 533 x 381	CP2014	3
AFM20204SS	20.00 x 20.00 x 4.00 508 x 508 x 102	12	14	21.00 x 21.00 533 x 533	CP2020	5
AFM12126SS	12.00 x 12.00 x 6.00 305 x 305 x 152	12	14	13.00 x 13.00 330 x 330	CP1212	2
AFM16126SS	16.00 x 12.00 x 6.00 406 x 305 x 152	12	14	17.00 x 13.00 432 x 330	CP1612	3
AFM20166SS	20.00 x 16.00 x 6.00 508 x 406 x 152	12	14	21.00 x 17.00 533 x 432	CP2016	5
AFM20206SS	20.00 x 20.00 x 6.00 508 x 508 x 152	12	14	21.00 x 21.00 533 x 533	CP2020	5
AFM24206SS	24.00 x 20.00 x 6.00 610 x 508 x 152	12	14	25.00 x 21.00 635 x 533	CP2420	5
AFM24248SS	24.00 x 24.00 x 8.00 610 x 610 x 203	12	14	25.00 x 25.00 635 x 635	CP2424	7
AFM30248SS	30.00 x 24.00 x 8.00 762 x 610 x 203	12	14	21.00 x 25.00 533 x 635	CP3024	8
AFM242010SS	24.00 x 20.00 x 10.00 610 x 508 x 254	12	14	25.00 x 21.00 635 x 533	CP2420	5
AFM302410SS	30.00 x 24.00 x 10.00 762 x 610 x 254	12	14	31.00 x 25.00 787 x 635	CP3024	8



MOUNTING SYSTEM



Adjustable-depth mounting system is included with each enclosure. Mounting system can be used on either block or stud walls.



87794340