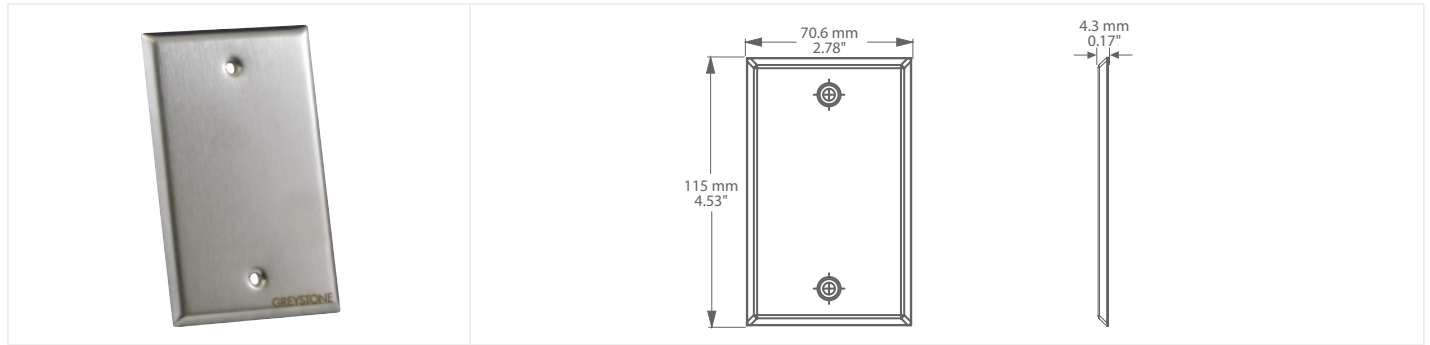




STAINLESS STEEL TEMPERATURE TRANSMITTER



TE500AS SERIES

PRODUCT DESCRIPTION

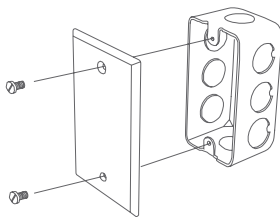
The TE500AS series is a low profile, single gang, stainless steel plate that incorporates a precision platinum RTD and a transmitter that provides a high accuracy signal with excellent long-term stability, low hysteresis and fast response for measurement of room temperatures.

TYPICAL INSTALLATION

For complete installation and wiring details, please refer to the product installation instructions.

The TE500AS series can be mounted directly to a single gang electrical box or directly to a wall. Insulating foam is adhered to the back of the enclosure to provide a thermal barrier from internal wall temperatures.

The sensor is either 2 wire or 3 wire connections to the Building Automation System depending on the output model ordered.



SPECIFICATIONS

SENSOR	1000Ω Platinum RTD
SENSOR ACCURACY	±0.3°C (±0.54°F) @ 0°C (32°F)
OUTPUT SIGNAL	4-20 mA current loop, 0-5 Vdc, or 0-10 Vdc (factory configured)
TRANSMITTER ACCURACY	±0.1% of span, including linearity
4-20 mA LOOP POWER SUPPLY	15-35 Vdc or 22-32 Vac
MINIMUM CURRENT LOOP	2 mA nominal (occurs with shorted sensor)
MAXIMUM LOOP CURRENT	22.5 mA nominal (occurs with open sensor)
MAXIMUM LOOP LOAD	>6000Ω
0-5 VDC POWER SUPPLY	10-35 Vdc or 10-32 Vac
0-10 VDC POWER SUPPLY	15-35 Vdc or 15-32 Vac
MAXIMUM CURRENT (VOLTAGE)	5 mA nominal
MAXIMUM OUTPUT (VOLTAGE)	Limited to <5.5 Vdc for 0-5 Vdc, <10.5 for 0-10 Vdc
INPUT VOLTAGE EFFECT	Negligible over specified operating range
RFI REJECTION	Good RFI rejection of normal frequencies
PROTECTION CIRCUITRY	Reverse voltage protected and output limited
OPERATING CONDITIONS	0 to 70°C (32 to 158°F), 0 to 95 %RH non-condensing
ENCLOSURE	Stainless Steel - IP50 (NEMA 1)
DIMENSIONS	114.3mm L x 69.85mm W x 4.75mm D (4.5" x 2.75" x 0.1875")
TERMINATION	Screw terminal block (14 to 22 AWG)
COUNTRY OF ORIGIN	Canada

ORDERING

PRODUCT	TE500AS	Stainless Steel Room Temperature Transmitter
SENSOR	12	1000 Ω Platinum, IEC 751, 385 Alpha, thin film
TRANSMITTER OUTPUT SIGNAL	1A	Current 4-20 mA
	1D	Voltage 0-5 Vdc
	1E	Voltage 0-10 Vdc
TRANSMITTER RANGES	1	0 to 35°C (32 to 95°F)
	2	0 to 50°C (32 to 122°F)
	*	Custom range, please contact Greystone
OPTIONS	TP	Tamperproof Screws

NOTE: Greystone Energy Systems, Inc. reserves the right to make design modifications without prior notice.

PART NUMBER

TE500AS