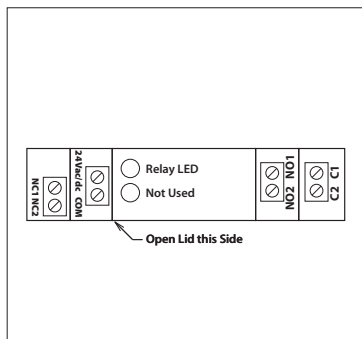


10 AMP PILOT CONTROL RELAYS

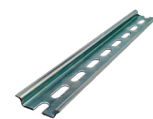
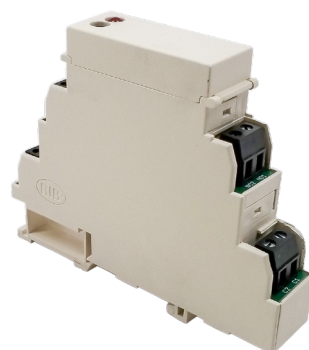
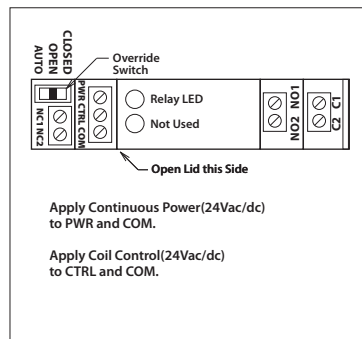
RIBR24D

DIN Mount Relay 10 Amp DPDT with 24 Vac/dc Coil



RIBR24SD

DIN Mount Relay 10 Amp DPDT + Override 24 Vac/dc Coil



ADIN35
DIN Rail Perforated
35mm x 7.5mm x 1m



ADIN35ES
Pair of End Stops
for 35mm DIN Rail

Models ADIN35 and ADIN35ES sold separately. See data sheet on website for more product information.

Specifications

- # Relays & Contact Type: One (1) DPDT Continuous Duty Coil
- Expected Relay Life: 10 million cycles minimum mechanical
- Operating Temperature: -30 to 140° F
- Humidity Range: 5 to 95% (noncondensing)
- Operate Time: 8mS
- Relay Status: LED On = Activated
- Dimensions: 3.88" x 2.76" x 0.78"
- Terminal Strip: 14-22 AWG wire
- Approvals: UL Listed, UL916, C-UL
- Replacement Relay: AR24D
- Accessories: ADIN35, ADIN35ES

- Contact Ratings:**
 - 10 Amp Resistive @ 30 Vdc
 - 10 Amp General Use @ 277 Vac
 - 1/2 HP @ 120-240 Vac (N/O)
 - 1/3 HP @ 120-240 Vac (N/C)
- B300 Pilot Duty**
 - 120Vac 30A Make 3A Break (360 VA)
 - 240Vac 15A Make 1.5A Break (360 VA)
 - 208Vac 17.3A Make 1.73A Break (360 VA)
 - 277Vac 13A Make 1.3A Break (360 VA)
 - 24Vac 30A Make 5A Break (120VA) 5A Max

- Power and Control Current:**
 - 24 mA @ 18 Vac
 - 32 mA @ 24 Vac
 - 40 mA @ 30 Vac
 - 20 mA @ 20 Vdc
 - 24 mA @ 24 Vdc
 - 36 mA @ 24 Vdc

- Coil Voltage Input:**
 - 24 Vac/dc ; 50-60 Hz
 - Drop Out = 3 Vac / 3.8 Vdc
 - Pull In = 18 Vac / 20 Vdc

RELAYS