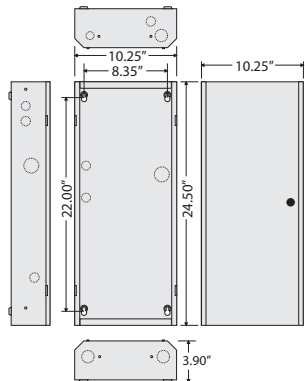


ENCLOSURE

MH3500 Series

Metal Housing, NEMA 1, 24.50" H x 10.25" W x 3.90" D



MH3500 SERIES ASSEMBLIES			
Model #	Enclosure	Plastic Snap Track	Weight
MH3500	MH3500		11.1 lbs.
MH3510	MH3500	MT4-24 (4.00"W)	11.7 lbs.
MH3520	MH3500	MT212-24 (2.75"W)	11.5 lbs.



SPECIFICATIONS

Construction: 18 Gauge Steel

Cover Type: Reversible Hook Hinge Key Latch Door

Approvals: UL Listed, C-UL, CE Approved, RoHS

Notes:

- Consult factory for custom colors for large orders.
- Order with coin latch by adding "-L4" to end of model number.