

## Flow Switch

© Copyright 2018 Caleffi

**626 Series**



### Function

The Caleffi Series 626 water flow switch detects the presence or absence of flow in piping of heating, air conditioning, cooling and water treatment systems as well as in pumping and process systems. In heating systems, the flow switch is normally used to shut off the burner of the boiler whenever there is no circulation of the carrier fluid in the boiler circuit. A lack of circulation can damage critical components and impair the operation of temperature sensitive safety and protection devices.

This item is designed for use in closed hydronic systems. Do not use in plumbing applications. This item does not meet the low-lead plumbing standards of U.S. and Canada.

### General Characteristics

A stainless steel bellows separates the electrical and hydronic sections, preventing the possibility of contact of the fluid with the electrical components. Stainless steel is used in the construction of many key parts, including the bellows, which protects the switch from corrosion.

With a protection classification of NEMA type 5 (IP54), the switch can be used in particularly humid and dusty environments. The cover is made of a special non-combustible plastic material. The normally open and normally closed contacts on the switch enable any electrical device to be switched on or off as required at the operating flow rate. The operating point can be easily adjusted with the calibration screw.

### Technical Characteristics

Connection size:	1" NPT male
Maximum operating pressure:	150 psig (10 bar)
Maximum temperature of the fluid:	250° F (120°C)
Minimum temperature of the fluid:	-20° F (-30°C)
Maximum ambient temperature:	130° F (55°C)
Suitable for pipes:	1" to 8" (25 to 200 mm)

### Electrical Data

Max Voltage:	250 VAC
Current:	15 A
Electrical connection:	1/2" NPT threaded
Protection class:	NEMA type 5 (IP54)
Certification Mark:	



### SAFETY INSTRUCTION

This safety alert symbol will be used in this manual to draw attention to safety related instructions. When used, the safety alert symbol means **ATTENTION! BECOME ALERT! YOUR SAFETY IS INVOLVED! FAILURE TO FOLLOW THESE INSTRUCTIONS MAY RESULT IN A SAFETY HAZARD.**

### CONSIGNE DE SÉCURITÉ

Ce symbole d'avertissement servira dans ce manuel à attirer l'attention sur la sécurité concernant instructions. Lorsqu'il est utilisé, ce symbole signifie **ATTENTION ! DEVEZ-VOUS ALERTE ! VOTRE SÉCURITÉ EST EN JEU ! NE PAS SUIVRE CES INSTRUCTIONS PEUT PROVOQUER UN RISQUE DE SÉCURITÉ.**



**WARNING:** This product can expose you to chemicals including lead, which is known to the State of California to cause cancer and birth defects or other reproductive harm. For more information go to [www.P65Warnings.ca.gov](http://www.P65Warnings.ca.gov).  
**AVERTISSEMENT:** Ce produit peut vous exposer à des produits chimiques comme le plomb, qui est connu dans l'État de Californie pour causer le cancer, dommages à la naissance ou autre. Pour plus d'informations rendez-vous [www.P65Warnings.ca.gov](http://www.P65Warnings.ca.gov).



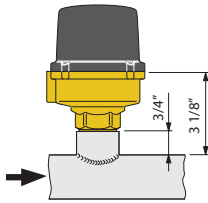
**CAUTION:** All work must be performed by qualified personnel trained in the proper application, installation, and maintenance of systems in accordance with all applicable codes and ordinances.  
**ATTENTION:** Tous les travaux doivent être effectués par du personnel qualifié formé à la bonne application, installation et maintenance des systèmes conformément aux codes et règlements locaux.



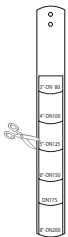
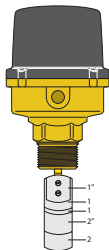
**CAUTION:** Over-tightening and breakage can occur with the use of PTFE pipe joint compounds. PTFE provides lubricity so that care must be exercised not to over-tighten joints. Failure to follow these instructions could result in property damage and /or personal injury.  
**ATTENTION:** Un serrage excessif et la rupture peuvent se produire avec l'utilisation de raccords filetés de tuyaux téflon. Téflon fournit un pouvoir lubrifiant afin qu'il doit être prudent pour ne pas trop serrer les joints. Suivre ces instructions peut entraîner.

## Installations

To install the flow switch correctly follow these instructions:



- Select the blade marked with the diameter of the pipe in which the switch is to be installed;
- Remove any extra pre-fitted blades for larger diameter pipes by unscrewing the 2 blade attaching screws;
- With pipe diameters of 3" (DN 80) or above, all the pre-fitted blades must be attached in ascending order with the long blade being cut to the size corresponding to the desired pipe diameter;
- Fit the flow switch to the pipe, carefully observing the direction of flow indicated by the arrows stamped on the cover and on the switch mounting plate. When fitted, the distance between the upper surface of the pipe and upper surface of the switch mounting plate should be 3 1/8" (80 mm);



- The tee connection in the pipe can be formed by the direct welding of a threaded socket;
- This also applies to a 1" (DN 25) diameter pipe, as the blades are designed to be contained in these smaller dimensions.
- It is however advisable to check that the weld is free from burrs on the inside so that the blade can move freely in the tee connection;
- Whenever possible the flow switch should be installed in the vertical position to avoid deposits of impurities which may cause it to function incorrectly.



**WARNING:** Electrical shock hazard. Disconnect **ALL** power sources when installing or servicing this equipment to prevent electrical shock or equipment damage. Failure to follow these instructions could result in property damage and/or personal injury.  
**ATTENTION:** Risque d'électrocution. appareil sous tension. Coupez l'alimentation électrique avant d'effectuer toute intervention. Le non respect de ces indications peut provoquer des lésions corporelles ou des dégâts matériels.

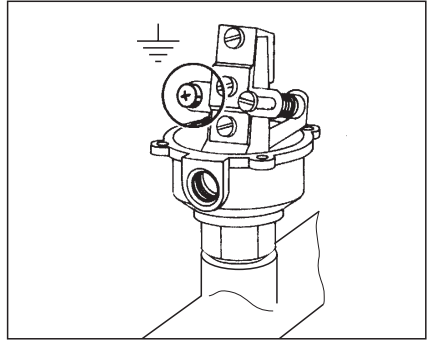
## Electrical Connections

Unscrew the four cover screws and lift off the outer cover.



Make sure the wires do not obstruct the function of the switch mechanism.

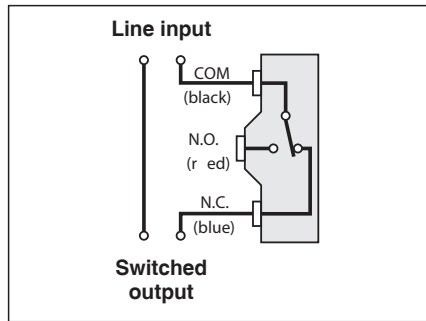
Assurez-vous que les fils ne sont pas entraver le fonctionnement de la changer le mécanisme.



## Diagrams showing the internal connections of the micro-switch with:

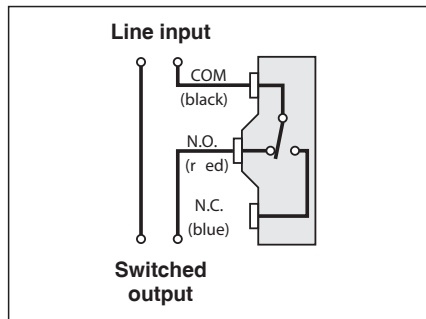
Flow switch used to activate a device when flow stops.

When the decreasing operating flow is reached or stops the common (black wire) and the normally open (red wire) contacts open, while the common (black wire) and the normally closed (blue wire) contacts close.



Flow switch is used to activate a device when flow starts.

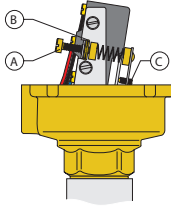
When flow starts and the increasing operating flow is reached or exceeded, the common (black wire) and normally open (red wire) contacts are closed, while the common (black wire) and the normally closed (blue wire) are open.



## Electrical Rating

	125 V <sub>AC</sub>		250 V <sub>AC</sub>	
	N.C.	N.O.	N.C.	N.O.
Resistive Load	15 A	15 A	15 A	15 A
Inductive Load	15 A	15 A	15 A	15 A
Motor Load	5 A	2.5 A	3 A	1.5 A
Horsepower	1/8 HP	1/8 HP	1/4 HP	1/4 HP

## Calibration



The minimum and maximum operating flow rates are given in the table below. Adjustments should be carried out as follows: turn the calibration screw (A) in a clockwise direction for the contacts to close at higher flow rate values or in a counterclockwise direction for lower flow rate values. When the adjustment has been made lock the screw (A) with the locking ring nut (B). **Avoid all contact with the presetting screw (C).** An incorrect setting would seriously impair the operation of the switch.

## Operating flow rates: gpm (lpm)

Diameter of pipe	1"	1 1/4"	1 1/2"	2"	2 1/2"	3"	4"	5"	6"	8"
<b>Minimum calibration</b> Operating flow rate with <b>increasing flow</b>	5.7 (21.7)	7.5 (28.4)	11.4 (43.4)	13.2 (50.1)	22.0 (83.5)	29.9 (113)	44.0 (167)	61.1 (232)	72.6 (275)	162 (618)
<b>Minimum calibration</b> Operating flow rate with <b>decreasing flow</b>	4.0 (15.0)	5.5 (20.9)	8.4 (31.7)	9.7 (36.7)	16.3 (61.8)	22.9 (86.8)	37.4 (142)	51.5 (197)	63.8 (242)	145 (551)
<b>Maximum calibration</b> Operating flow rate with <b>increasing flow</b>	12.3 (46.8)	16.7 (63.5)	26.0 (98.5)	29.5 (112)	51.5 (195)	69.5 (264)	94.6 (359)	136 (518)	189 (718)	334 (1269)
<b>Maximum calibration</b> Operating flow rate with <b>decreasing flow</b>	11.9 (45.1)	16.3 (61.8)	25.5 (96.9)	29.0 (110)	50.6 (192)	68.6 (260)	92.4 (351)	127 (484)	158 (601)	308 (1169)

Scan to view



526 Paddle Flow Switch

**Installation Tip**

**CALEFFI**  
Hydronic Solutions

7-19-18

**Caleffi North America, Inc.**  
3883 West Milwaukee Road  
Milwaukee, WI 53208  
T: 414.238.2360 F: 414.238.2366