

## **Q5/Q5 IR-Probe GAS TRANSMITTER/SENSOR**



**Q5**



**IR-Probe**

## **INSTALLATION OPERATION AND MAINTENANCE MANUAL**

QUATROSENSE ENVIRONMENTAL LTD.

5935 OTTAWA STREET, PO BOX 749 (RICHMOND) OTTAWA, ONTARIO CANADA K0A 2Z0

PHONE: (613) 838-4005 FAX: (613) 838-4018

[www.QELsafety.com](http://www.QELsafety.com)

<b>READ BEFORE OPERATING .....</b>	<b>2</b>
<b>1. SPECIFICATIONS.....</b>	<b>2</b>
1.1 ELECTRICAL/MECHANICAL SPECIFICATIONS .....	2
1.2 SENSOR SPECIFICATIONS.....	4
<b>2. INSTALLATION .....</b>	<b>6</b>
2.1 ENCLOSURES PHYSICAL DIMENSIONS .....	6
2.2 TERMINALS.....	6
2.2.1 Wire and Cable.....	7
2.2.2 Q5 Digital Connection .....	7
2.2.3 RS-485 Terminator.....	7
2.2.4 RS-485 Driver Replacement.....	8
2.2.5 4-20mA and 1-5VDC / 2-10VDC Analog Output .....	8
2.2.6 Relays Output.....	9
2.2.7 Note for Q5:.....	9
2.2.8 Certification: .....	9
<b>3. FUNCTION AND CONFIGURATION .....</b>	<b>10</b>
3.1 INDICATORS .....	10
3.1.1 RS485-TX/RX.....	10
3.1.2 Relay 1-3 LED.....	10
3.2 TOOL FUNCTION .....	11
3.2.1 Enter Main Menu.....	11
3.2.2 Hush Buzzer and Relay.....	11
3.2.3 Reset Latched/Hushed .....	11
3.2.4 Reset MENU Password .....	11
3.2.5 Exit Tool Mode .....	11
3.3 MAIN MENU TREE .....	12
3.4 MENU “1_SYSTEM SETUP” .....	13
3.4.1 System Settings .....	13
3.5 MENU “2_ZERO CAL” .....	16
3.5.1 Equipment Required.....	16
3.5.2 Zeroing Calibration Procedure.....	16
3.6 MENU “3_SPAN CAL” .....	17
3.7 MENU “4_OUT TEST” .....	18
3.8 MENU “5_VIEW SETTING” .....	19
3.9 MENU “6_ALARM SETUP” .....	20
3.10 MENU “7_RELAY STYLE” .....	21
3.11 MENU “8_BUZZER STYLE”.....	22
3.12 MENU “9_A-OUT SETUP” .....	22
3.13 MENU “A_ALL DISABLE” .....	23
3.14 MENU “B_SIMULATION” .....	23
3.15 MENU “C_SITE SERVICE” AND “D_FACTROY SET” .....	23
<b>4. MODBUS PROTOCOL SUPPORTED BY Q5.....</b>	<b>23</b>
<b>5. MAINTENANCE.....</b>	<b>24</b>
5.1 DVM CONNECTION FOR 4-20MA MEASUREMENT .....	24
5.2 4MA AND 20MA OUTPUT CALIBRATION .....	24
5.3 SMART SENSOR ASSEMBLY REPLACEMENT .....	25
5.3.1 Disassembling .....	25
5.3.2 Replacement Procedure.....	25
5.3.3 Replacement Parts.....	26
5.3.4 Accessories .....	28
<b>6. TROUBLESHOOTING .....</b>	<b>29</b>

## READ BEFORE OPERATING

All individuals who have or will have the responsibility of using, maintaining, or servicing this product must carefully read this manual. The product will perform as designed only if it is used, maintained, and serviced in accordance with the manufacturer's instructions.

The Q5 is a state-of-the-art transmitter that can operate as an independent, stand-alone system or as part of an integrated system. The Q5 connects with analog and digital signals to virtually any controller, PLC, or DCS. Setup procedures are simplified with user friendly push buttons and LCD menus.

The Q5 IR-Probe is a Q5 with a remote sensing probe that uses the technique of NDIR (Non Dispersive Infrared) to monitor the presence of hydrocarbons and carbon dioxide. The distance between the Q5 and the IR-Probe can up to 100 meters. A 5 meter cable is included in the package.

## 1. Specifications

### 1.1 Electrical/Mechanical Specifications

**Input Power:** 24VDC nominal, range 18 to 30VDC, 0.3A DC Total Max.  
24VAC nominal, range 15 to 24VAC, 0.3A AC Total Max.  
**(AC must not be grounded)**

**Fuse:** F2 on Main Board: Polyswitch 750mA  
Polyswitch device resets after the fault is cleared and power to the circuit is removed.

**Sensor:** Combustible gases: Catalytic or NDIR  
Toxic gases and Oxygen: Electrochemical  
Carbon Dioxide: Non-Dispersive Infra-Red (NDIR)

**Sampling:** Diffusion or Pump-through

**Panel Indicators:** 5 Status LED's

- RS-485 TX Status (Green)
- RS-485 RX Status (Green)
- Relay1 Status (Red)
- Relay2 Status (Red)
- Relay2 Status (Red)

**Display:** LCD graphic display c/w backlight

**Keypad:** 3 capacitive touch sensing Keys: F1, F2, F3

<b>Relays:</b>	3 Relays SPDT, Dry contacts <ul style="list-style-type: none"><li>• 1.0A maximum at 30 VDC (resistive load)</li><li>• 0.3A maximum at 125VAC (resistive load)</li></ul>
<b>Buzzer:</b>	80 db at 10 cm, 2700 Hz Buzzer 1, 2, 3: Programmable tone Tone: chirp once / chirp twice / 50% duty cycle / constant ON
<b>Output Signal:</b>	RS-485 with QEL Controller Protocol <ul style="list-style-type: none"><li>• Available Controller: M-Controller &amp; Q4 Controller</li></ul> RS-485 with ModBus protocol 4-20mA and 2-10VDC Analog Signal Output
<b>Enclosure Rating:</b>	IP 66 & NEMA 4, 4X, 12 & 13
<b>Operating Temperature:</b>	-40°C to 70°C, depends on sensor specification
<b>Ambient Humidity:</b>	5% to 95% RH (non-condensing)
<b>Storage Temperature:</b>	0°C to 40°C, depends on sensor specification
<b>Size:</b>	150mm X 90mm X 65mm
<b>Weight:</b>	Less than 0.5lbs

## 1.2 Sensor Specifications

Code	Gas	Symbol	Gas Density	Span	Operating Temperature
16	Methane	CH4	Lighter	0 - 100%LEL	-10°C to +50°C
17	Propane	C3H8	Heavier	0 - 100%LEL	-10°C to +50°C
18	Hydrogen	H2	Lighter	0 - 100%LEL	-10°C to +50°C
*19	Combustible	LEL		0 - 100%LEL	-10°C to +50°C
*20	Ethylene	C2H4	Slightly Lighter	0 - 100%LEL	-10°C to +50°C
*21	Iso-Butane	C4H10	Heavier	0 - 100%LEL	-10°C to +50°C
*22	Iso-Pentane	C5H12	Lighter	0 - 100%LEL	-10°C to +50°C
*23	Methanol	CH3OH	Lighter	0 - 100%LEL	-10°C to +50°C
*24	Benzene	C6H6	Lighter	0 - 100%LEL	-10°C to +50°C
*25	Acetone	CH3CO	Lighter	0 - 100%LEL	-10°C to +50°C
*26	Butanol, n-Butane	BUTAN	Heavier	0 - 100%LEL	-10°C to +50°C

Code	Gas	Symbol	Gas Density	Span	Operating Temperature
0	Oxygen	O2		0 - 25%VOL	-30°C to +55°C

Code	Gas	Symbol	Gas Density	Span	Operating Temperature
1	Carbon Monoxide	CO	Slightly Lighter	0 - 250ppm	-20°C to +50°C
1	Carbon Monoxide	CO	Slightly Lighter	0 - 1000ppm	-20°C to +50°C
2	Hydrogen Sulfide	H2S	Heavier	0 - 25ppm	-20°C to +50°C
2	Hydrogen Sulfide	H2S	Heavier	0 - 100ppm	-20°C to +50°C
3	Sulphur Dioxide	SO2	Heavier	0 - 6ppm	-20°C to +50°C
5	Nitrogen Dioxide	NO2	Heavier	0 - 10ppm	-20°C to +50°C
6	Hydrogen	H2	Lighter	0 - 1000ppm	-20°C to +50°C
6	Hydrogen	H2	Lighter	0 - 2000ppm	-20°C to +50°C
7	Hydrogen Cyanide	HCN	Lighter	0 - 50ppm	-20°C to +50°C
9	Ammonia	NH3	Lighter	0 - 100ppm	-30°C to +50°C
9	Ammonia	NH3	Lighter	0 - 1000ppm	-30°C to +50°C
11	Ozone	O3	Heavier	0 - 1ppm	-20°C to +40°C
13	Chlorine	Cl2	Heavier	0 - 5ppm	-20°C to +50°C
14	Chlorine Dioxide	ClO2	Heavier	0 - 2ppm	-20°C to +40°C
96	Arsine	AsH3	Heavier	0 - 1ppm	-20°C to +40°C
97	Phosphine	PH3	Heavier	0 - 5ppm	-20°C to +40°C

Q5 Operation And Maintenance Manual

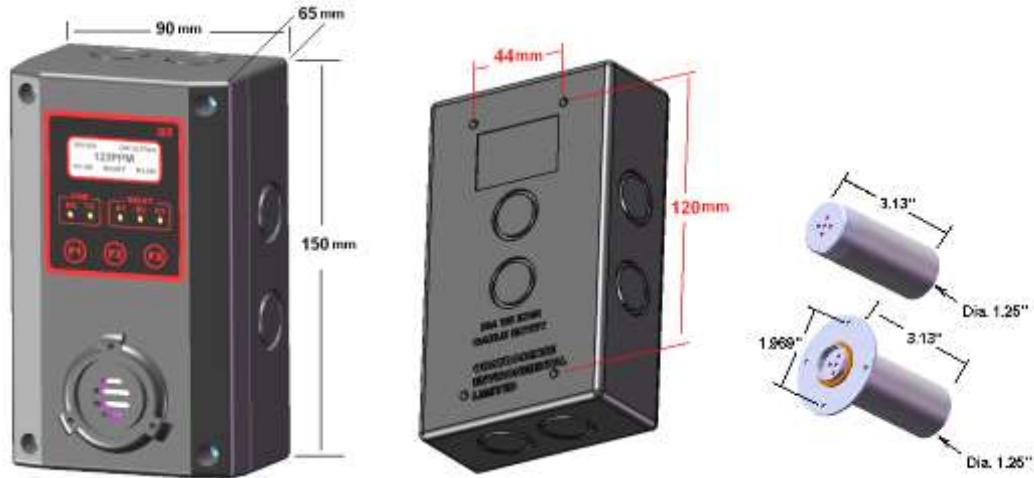
97	Phosphine	PH <sub>3</sub>	Heavier	0 – 1ppm	-20°C to +40°C
98	Silane	SiH <sub>4</sub>	Heavier	0 – 50ppm	-20°C to +40°C
99	Germane	GeH <sub>4</sub>	Heavier	0 – 2ppm	-20°C to +40°C
100	Diborane	B <sub>2</sub> H <sub>6</sub>	Slightly Lighter	0 – 2ppm	-20°C to +40°C
4	Nitric Oxide	NO	Slighter Heavier	0 –100ppm	-20°C to +50°C
8	Hydrogen Chloride	HCl	Heavier	0 – 30ppm	-20°C to +40°C
12	Ethylene Oxide	ETO	Heavier	0 – 20ppm	-20°C to +50°C
101	Hydrogen Bromide	HBr	Heavier	0 – 30ppm	-20°C to +40°C

Code	Gas	Symbol	Gas Density	Span	Operating Temperature
15	Carbon Dioxide	IR-CO <sub>2</sub>	Heavier	0 – 5000ppm	-20°C to +50°C
15	Carbon Dioxide	IR-CO <sub>2</sub>	Heavier	0 – 5%VOL	-20°C to +50°C
15	Carbon Dioxide	IR-CO <sub>2</sub>	Heavier	0 – 20%VOL	-20°C to +50°C
15	Carbon Dioxide	IR-CO <sub>2</sub>	Heavier	0 – 100%VOL	-20°C to +50°C
16	Methane	IR-CH <sub>4</sub>	Lighter	0 – 100%LEL	-20°C to +50°C
16	Methane	IR-CH <sub>4</sub>	Lighter	0 – 100%VOL	-20°C to +50°C

\*NOTE: Mounting Heights - Low = 9-18 inches (0.25-0.5 meters) from floor  
 - Mid = 4-6 feet (1.25-1.75 meters) from floor  
 - High = 9-18 inches (0.25-0.5 meters) from ceiling

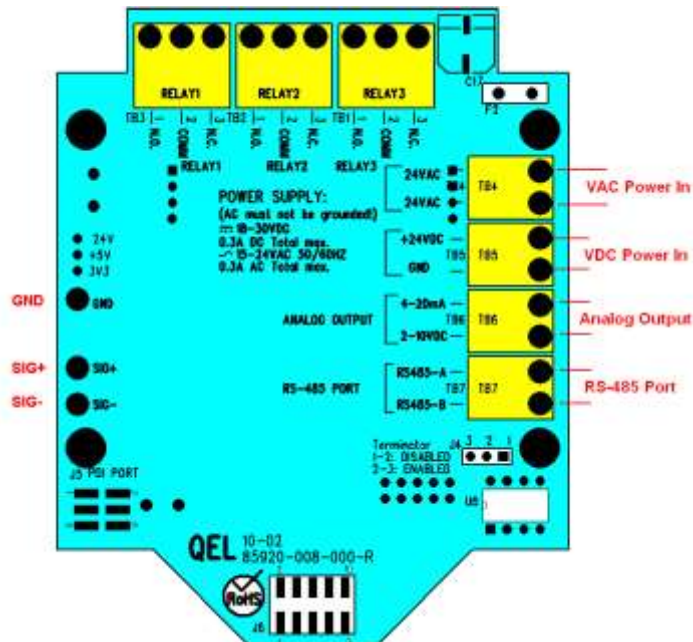
## 2. Installation

### 2.1 Enclosures Physical Dimensions



The enclosure is a NEMA 4 rated enclosure and can be wall mounted with 4 screws. To maintain the NEMA rating, it is important that the conduit opening is sealed upon installation.

### 2.2 Terminals



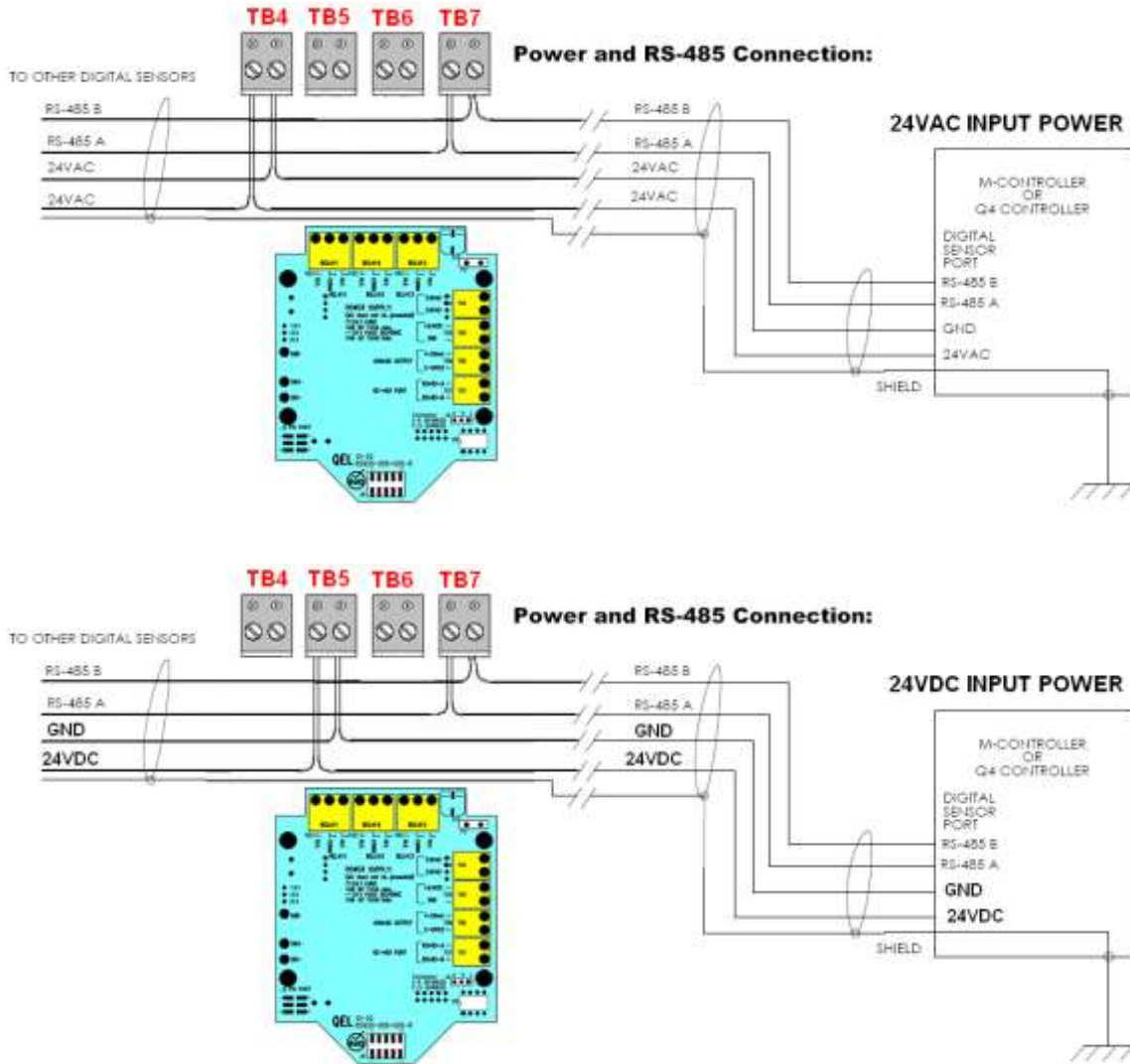
Q5 Terminals

### 2.2.1 Wire and Cable

Terminal blocks TB1 to TB7 accept 12 AWG to 24 AWG wire. Use 16 AWG or 18 AWG wire for the power supply in long wiring runs, which can be up to 1km (1,000 meters) long.

We recommend using BELDEN 9841 for communications. This wire has 120 ohm input impedance, which will eliminate RS-485 communication problems.

### 2.2.2 Q5 Digital Connection



### 2.2.3 RS-485 Terminator

The terminator on each end of the RS485 run is designed to match the electrical impedance characteristic of the twisted pair wire, and will prevent signal echoes from corrupting the data on the line. The terminator should be enabled on BOTH ends of the RS485 run. Short and medium length ModBus/485 runs can operate without the terminating resistor. Longer runs



may require the terminating resistors. But adding terminator dramatically increases power consumption.

**Factory default setting is disabled terminator.**

The Q5 supplies this resistor on the main board, and it is chosen using a jumper at J4.

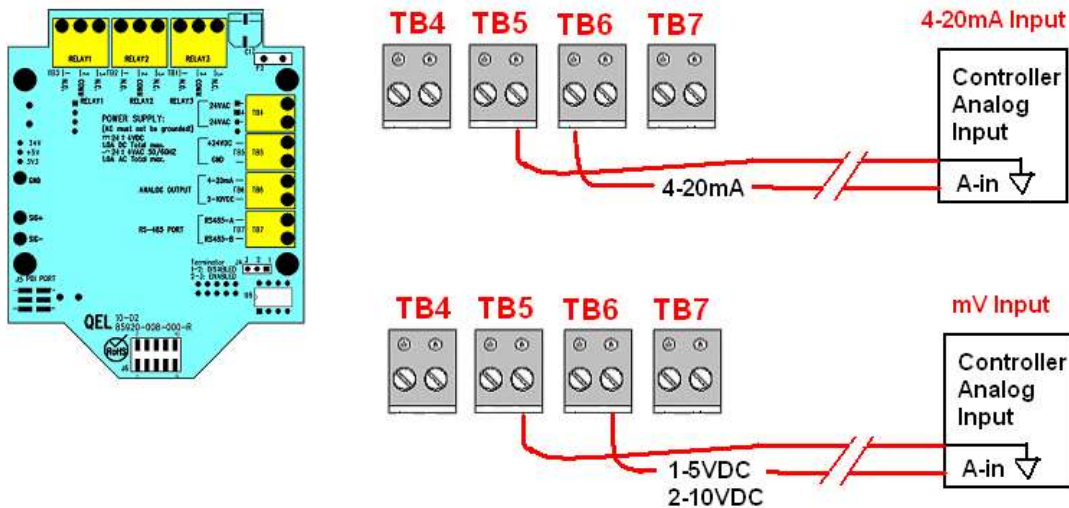
- J4 1-2: Terminator Disabled / OFF (default)
- J4 2-3: Terminator Enabled / ON

**2.2.4 RS-485 Driver Replacement**

RS-485 lines in heavy industrial environments are sometimes subjected to magnetic disturbances causing sufficient inducted power surges to damage the driver integrated circuit (IC). This IC (U6) has a socket on the circuit card for ease of replacement in the field.

**2.2.5 4-20mA and 1-5VDC / 2-10VDC Analog Output**

The Q5 provides one-channel 4-20 milliamp analog outputs and programmable 1-5VDC / 2-10VDC analog output at the same time. The maximum output impedance is 600 ohms for the 4-20mA output. The maximum output current is 10 mA for the 1-5VDC/2-10VDC output.



Test point SIG+ and SIG- are used to measure the current inline when the Q5 is working in the field.

The 1-5VDC/2-10VDC output can be selected through the menu. Default setting is 1-5VDC output.

The analog output may be defined in complex ways allowing assignment of different values to both 4 milliamps and 20 milliamps. You may even assign a gas concentration to 4 mA, which is higher than the concentration assigned to 20 milliamps. The Q5 will draw a straight line between them. There is no need to assign gas concentration to 1V-5VDC/2V-10VDC. When

the Q5 outputs 4mA, it also outputs 1VDC or 2VDC. When the Q5 outputs 20mA, it also outputs 5VDC or 10VDC, which follows the 4-20mA output.

If there is any fault found in the Q5, it will output 2.5mA and 1VDC at 2-10V output or 0.5VDC at 1-5VDC output to indicate the fault.

### 2.2.6 Relays Output

The Q5 has three onboard programmable Single-Pole Double-Throw (SPDT) relays. These relays can be used to control other equipment, such as fans, lights, horns, etc. eliminating the need for a separate controller.

Three terminal blocks (TB1, TB2 and TB3) are located on the main board. Each relay can be programmed individually.

Switching capability of each relay is:

- 1.0 A maximum resistive load at 30 VDC
- 0.3A maximum resistive load at 125VAC

### 2.2.7 Note for Q5:

Avoid running communication wires or sensor input wires next to AC power wires or the relay output wires. These can be sources of noise that can affect signal quality.

When the Q5 input power is AC, the 24VAC must not be grounded. A dedicated floating 24VAC may be needed if other nodes on the network are grounded, otherwise a DC power supply is recommended.

### 2.2.8 Certification:

The Q5/B5 series have been certified to the following Standard:

*Safety requirement for Electrical Equipment for Measurement, Control, and Laboratory Use- Part 1: General Requirements CAN/CSA-22.2 No. 61010-1 Third Edition, Dated May 11, 2012; And Safety Requirements for Electrical Equipment for measurement, Control, and Laboratory Use-Part 1: General Requirements UL 61010-1 Third Edition, Dated May 11, 2012.*

*Installation must be in accordance with ANSI/NFPA 70, National Electrical Code (NEC); the Canadian Electrical Code (CEC), Part I, CSA C22.1, and CSA C22.2 No. 0; and the Manufacturers' installation instructions*

**The Q5/B5 series have not been tested for Life Safety Applications and are not to be used in Life Safety Applications in jurisdictions that require this certification.**

### 3. Function and Configuration

#### 3.1 Indicators

The indicators consist of five LED's – two to indicate RS-485 digital communication, three to indicate the status of relays 1-3.



##### 3.1.1 RS485-TX/RX

When the Q5 is connected to a controller system via RS-485, the traffic of the communication can be monitored visually through the two RS-485 indicators. One is RX LED, which indicates the data stream received in from the controller. The other is TX LED, which indicates the data stream out of the Q5.

**Note: If the TX LED or the RX LED is always ON, is indicative of a communication problem. See Troubleshooting for RS-485.**

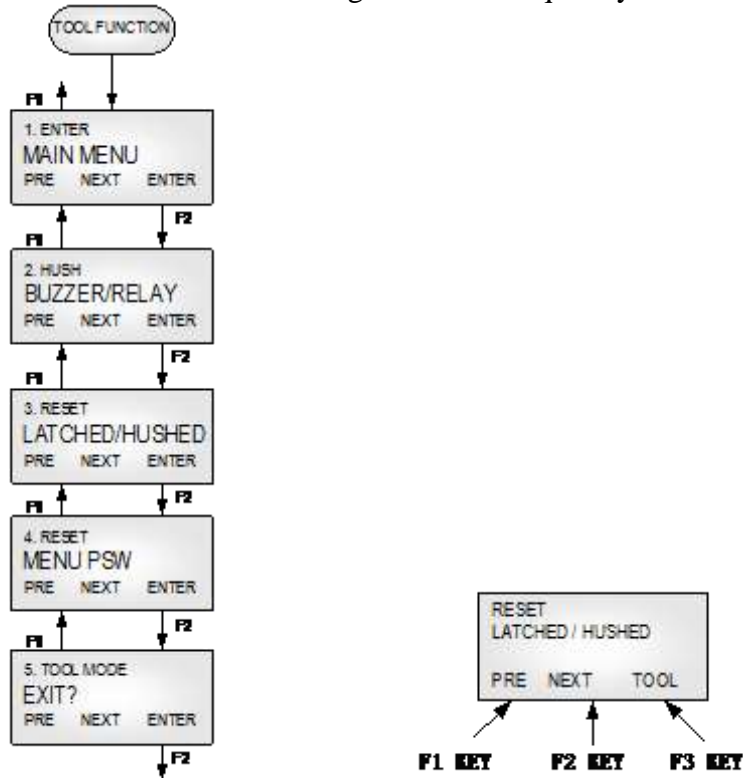
##### 3.1.2 Relay 1-3 LED

Indicate the status of each relay. When the relay is actuated/closed, the relay LED is ON. When the relay is de-actuated/open, the relay LED is OFF.

**Note: If you set the relay to be Normally Energized (Fail Safe), the relay LED will turn ON at non-alarm state and turn OFF at alarm state, because the LED reflects the relay coil status.**

### 3.2 Tool Function

Press key [F3] to enter tool functions that might be used frequently in the field.



#### 3.2.1 Enter Main Menu

Press key [F1] to browse previous item of the current menu.

Press key [F2] to browse next item of the current menu.

Press key [F3] to enter the main menu for more configuration and settings.

#### 3.2.2 Hush Buzzer and Relay

Press key [F3] to silence the buzzer and buzzer-style relays.

#### 3.2.3 Reset Latched/Hushed

To acknowledge a latched condition or a hushed condition, press key [F3] to reset latched relays and hushed buzzer for which the alarm condition has been removed. If the alarm condition (e.g. high gas concentration) is still present the relay(s) will not reset.

#### 3.2.4 Reset MENU Password

If you forgot the main menu password, you can reset the menu password to default password “4321” by entering a correct active code. For the active code, contact QEL.

#### 3.2.5 Exit Tool Mode

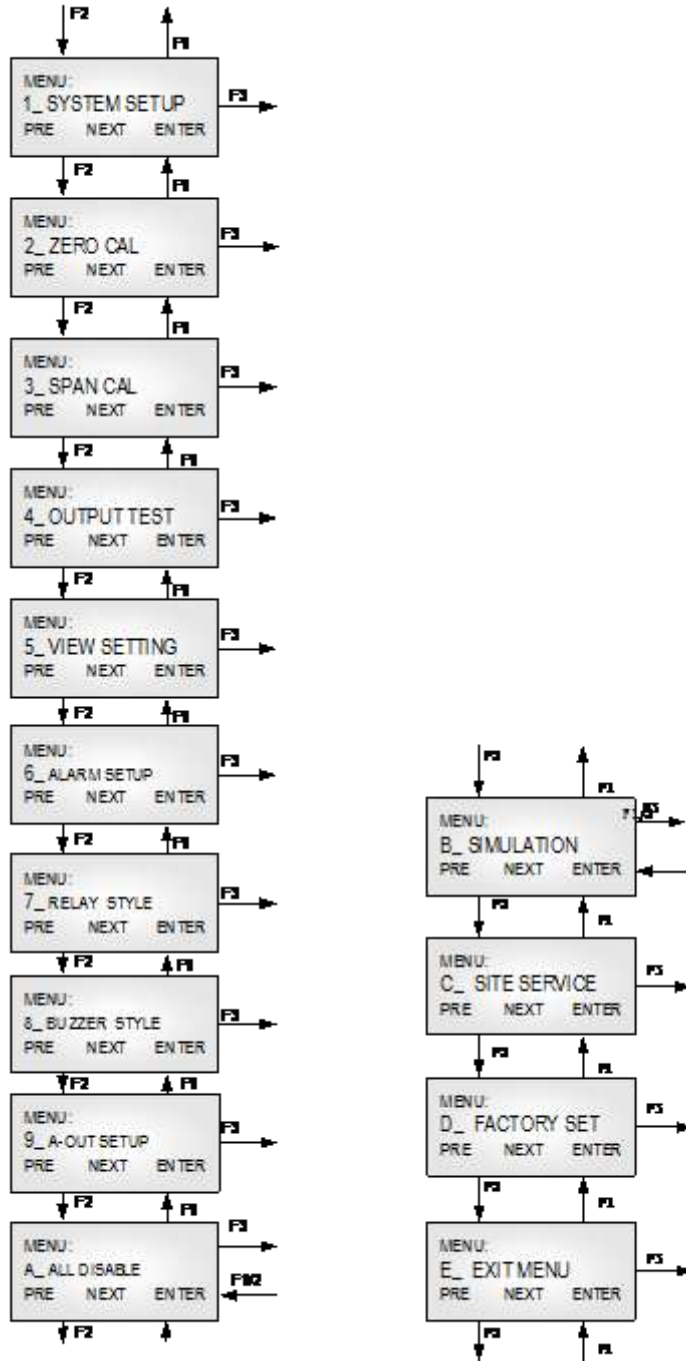
Press key [F3] to return to monitoring mode.

### 3.3 Main Menu Tree

The main menu is password protected. Once the password is accepted, you are allowed into the main menu tree.

**Factory default password is 4321.**

**Note: While in the menu tree, all normal monitoring operations stop. The alarm status does not change.**



### 3.4 Menu “1\_SYSTEM SETUP”

The system setup subdivision contains general settings for monitor operations, communications and 4-20mA calibrations.

#### 3.4.1 System Settings

<b>Password:</b>	Default password is 4321.
<b>Address:</b>	<p>M-Controllers support RS-485 addressing from 0 to 31 for digital sensors. Q4 Controllers support RS-485 addressing from 0 to 3 for digital sensors.</p> <p>The Q5 RS-485 address can be defined from 0 to 255. Default is 3.</p> <p>Note: In ModBus protocol, the address 0 is for broadcast.</p>
<b>Baud rate:</b>	<p>Define baud rate for RS-485 communication with QEL controller protocol, ModBus protocol or BACnet protocol.</p> <p>Q5 default baud rate is 4800 bps.</p>
<b>Scroll Rate:</b>	In normal operation, the sensor and relay status information scrolls automatically. Set the number of seconds for each item to be displayed. Default value is 3 seconds.
<b>Backlight:</b>	The LCD backlight can be set to Always Off, Always On and Auto Power Saving mode. In Auto Power Saving mode, the backlight will turn on for 10 seconds after any key has been pressed. Default setting is Always ON.
<b>4mA Cal</b> <b>20mA Cal</b> <b>1V Cal</b> <b>2V Cal</b> <b>5V Cal</b> <b>10V Cal:</b>	<p>These values are established during factory calibration for the 4-20mA analog output and should not require recalibration in the field. Do not attempt to modify these settings in the field.</p> <p>Changing these values will change the analog output signal scale.</p> <p><b>Warning: This procedure is part of the factory setup. In most circumstances it will not be necessary to perform this procedure in the field. These functions require the use of precision reference instrumentation.</b></p>
<b>New Password:</b>	<p>The new password can be any combination of up to four digits. Default password is 4321.</p> <p><b>Warning: Be sure that you record the new password in a safe and secure location!</b></p>

<p><b>Protocol:</b></p>	<p>When Q5 is connected to an M-Controller or a Q4-Controller, the protocol should be set to OptoMux. The Q5 Default protocol is OptoMux.</p> <p>The Q5 also supports ModBus protocol, responds as a ModBus Slave using RTU protocol. When it's set to ModBus, the parity bit can be defined as EVEN, ODD and No Parity.</p>
<p><b>Display Mode:</b></p>	<ul style="list-style-type: none"> <li>• Display Instant: displays instantaneous gas concentration</li> <li>• Display Average:             <ul style="list-style-type: none"> <li>○ Displays STEL (15min average reading)</li> <li>○ Displays TWA (8 hour average reading)</li> <li>○ Displays daily peak</li> </ul> </li> <li>• Display Alarm: displays alarm 1-8 status</li> <li>• Display Relay: displays relay 1-3 status</li> <li>• Display Buzzer: displays buzzer 1-3 status</li> <li>• Display A-Out mA: displays current 4-20mA output</li> <li>• Display A-Out VDC: displays current VDC output</li> <li>• Display Clock: displays real time clock</li> </ul> <p>If there is nothing to display, the unit will display “Running...”</p>
<p><b>Auto Zero:</b></p>	<p>When AutoZero is set to ON, the unit will gather the lowest reading in 7-day period and set the unit into Zeroing Calibration mode so that the lowest reading goes to zero. When AutoZero is set to OFF, the unit will not adjust its own zero and work off the last manual or factory calibration. Default value is OFF.</p> <p><b>NOTE: AutoZero works best in situations where the building will purge at night (or over a weekend) to a zero concentration of target gas.</b></p>
<p><b>Key Beeper:</b></p>	<p>ON: Beeping when keypad is touched</p> <p>OFF: No beeping when keypad is touched</p>
<p><b>Restore Default:</b></p>	<p><b>Note: Don't do this if you don't have calibration gas and precision reference instrumentation to calibrate the unit</b></p> <p>To load defaults to factory settings, to restore the unit to correct operation.</p> <p>The settings below will be restored to default values:</p>

	<p>-Password, -Baud rate, -Scroll rate, -Backlight, -Display mode, -Key beeper, -LCD contrast, <b>-Gas type on the Sensor Board</b>, -Alarm settings, -Relay/Buzzer settings, and 4-20mA/1-5VDC settings.</p> <p>The unit needs to change the gas type if the sensor on the sensor board is not the default gas type: CO, CH4 or O2. Contact QEL for instructions.</p> <p>The analog output 4-20mA/1-5VDC has to be calibrated if needed.</p> <p>Zero and span calibrations are needed.</p>
<b>ADJ Clock:</b>	Adjust real time clock.
<b>ADJ Contrast:</b>	<p>Adjust the LCD contrast. Valid values are between 10 (light) and 50 (dark).</p> <p>Default is 21.</p>
<b>Check Battery</b>	<p>The sensor board is equipped with a coin battery. This setting will enable or disable the Q5 to check the battery voltage and beep for a low battery level.</p> <p>Default is ON.</p>



### 3.5 Menu “2\_ZERO CAL”

The Q5 is calibrated using a two-point calibration process. First, use a “Zero Gas”, then use a “CAL Gas” containing a known concentration of a standard reference gas, to set the second point of reference.

#### 3.5.1 Equipment Required

- A cylinder of Zero Gas, (clean air or nitrogen).
- A cylinder of Cal Gas
- Flow Limiting Regulator(s) **0.2 to 1.0 lpm**
- Tubing

#### 3.5.2 Zeroing Calibration Procedure

- “2\_ZERO CAL:”

2\_ZERO CAL

- Press key [F3] and the device will show the calibration notice and then ask if you want to continue. The middle line will display the current concentration.

CONTINUE?  
XXPPM

- Apply the Zero Gas.
- Wait for about 3 minutes or until the reading is stable.
- Press key [F3] to confirm Zeroing Cal.
- When the device is in Zeroing CAL, it will take 3 seconds to 20 seconds to complete.
- When the zeroing CAL operation is over, the device will display “Accepted” and return to “2\_ZERO CAL”.
- Make sure there is no Cal Error displayed. If Cal Error is reported, repeat the procedures above. If the Cal Error is still showed up, the sensor may be expired.
- Remove the gas.
- Exit the menu to Monitoring Mode.

### 3.6 Menu “3\_SPAN CAL”

- “3\_SPAN CAL”

3\_SPAN CAL

- Press key [F3] and the device will ask for the CAL GAS, input the concentration of the calibration gas.

CAL GAS:  
>                   XXX

- Press key [F3] and the device will show the calibration notice and then show the flow rate for the span calibration. Press any key to continue, and then the device will ask you if you want to continue. The middle line will display the current concentration.

CONTINUE?  
XXPPM

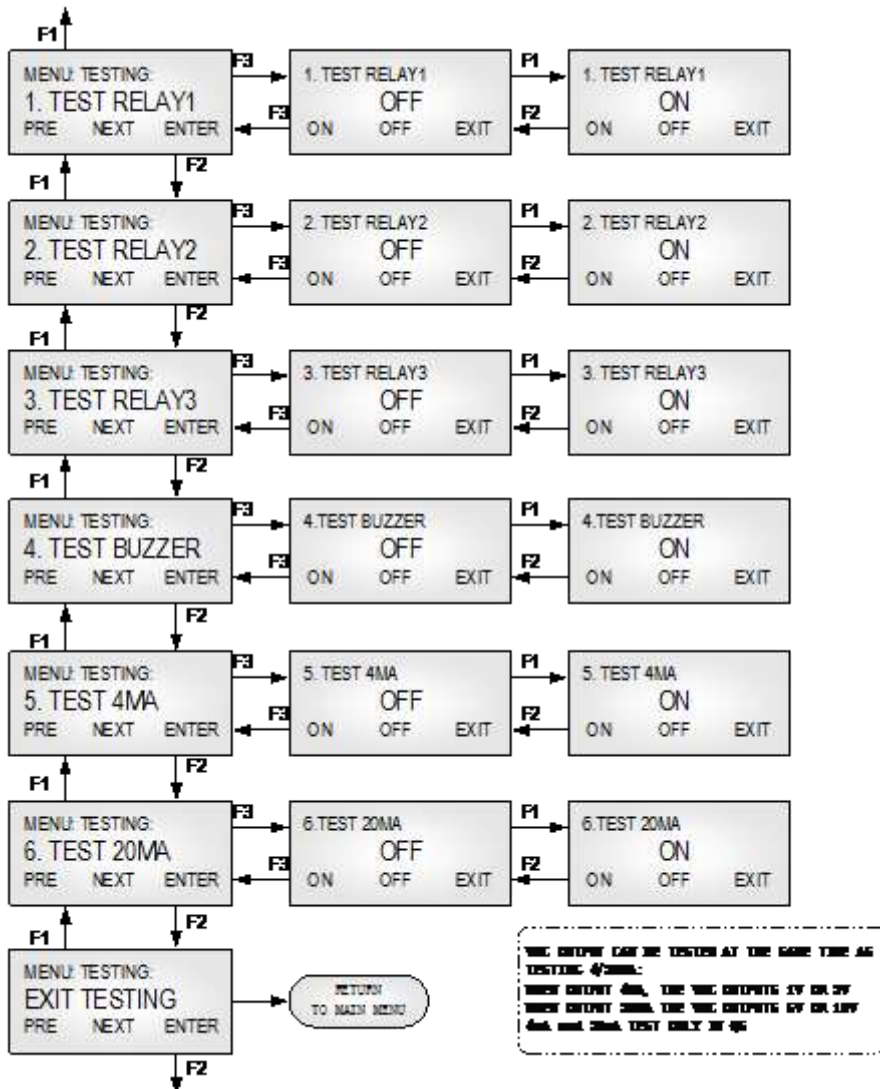
- Apply the calibration gas.
- Wait for about 3 minutes or until the reading is stable.
- Press key [F3] to confirm SPAN CAL.
- When the device is in span cal, it will take 10 seconds to 1 minute to complete.
- When the span cal operation is over, the device will display “Accepted” and return to “3\_SPAN CAL”.
- Make sure there is no Cal Error displayed. If Cal Error is reported, repeat the procedures above. If the Cal Error is still showed up, the sensor maybe expired.
- Remove the gas.
- Exit menu to Monitoring Mode.

### 3.7 Menu "4\_OUT TEST"

During system installation and testing, it may be necessary to force relays and buzzers on and off.

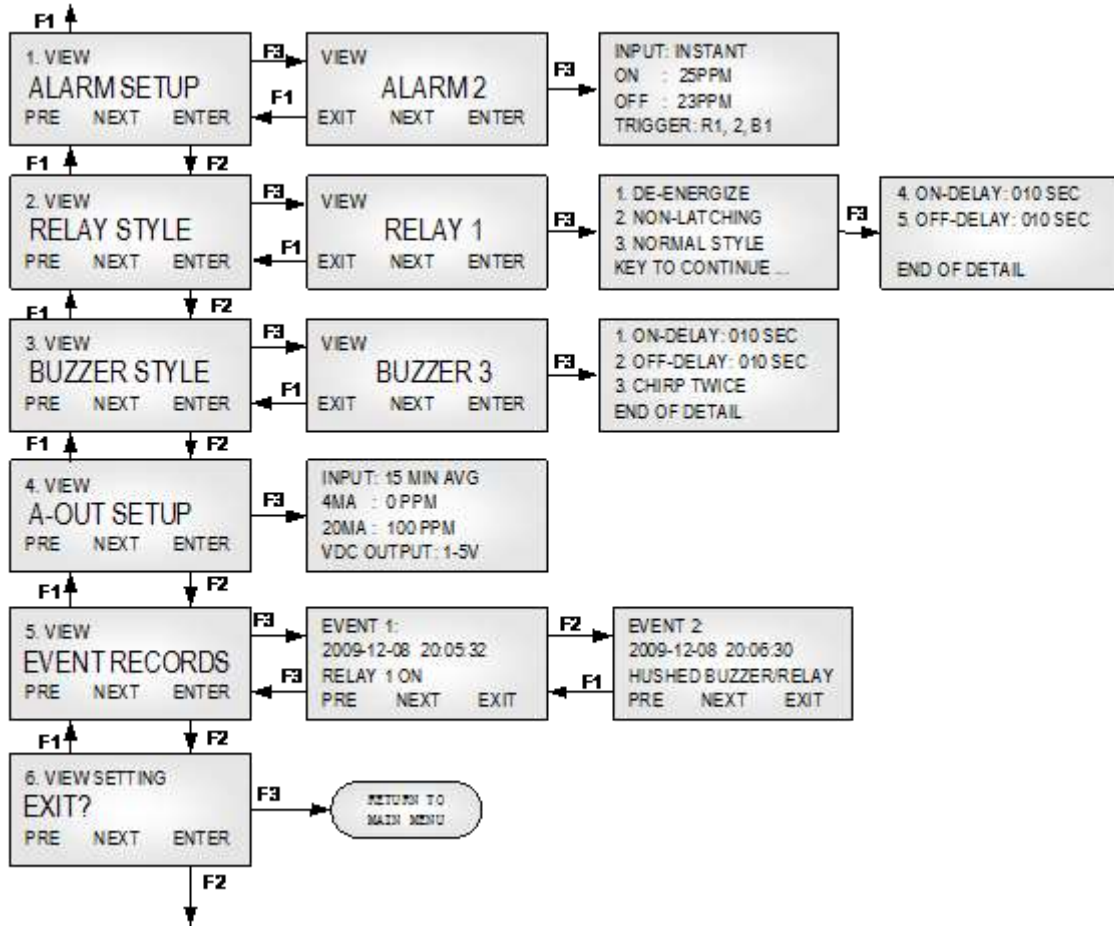
The Relay Testing feature allows the user to force the actuation of each relay. This function forces an Actuate vs. De-actuate action, not an energized vs. non-energized action. Therefore the user must be aware of these relays, which have been defined as normally energized or not normally energized.

The 4mA (1VDC/2VDC) and 20mA (5VDC/10VDC) outputs can be tested too.



### 3.8 Menu "5\_VIEW SETTING"

This function is to verify the settings for the alarms, relays, buzzers and analog outputs.



### 3.9 Menu “6\_ALARM SETUP”

The Q5 supports alarm 1 to alarm 8.

Alarm is a programmable condition that can receive a selectable input and trigger relays and buzzers.

<p><b>Disabled or Enabled:</b></p>	<p>Each alarm may be individually set to be enabled or disabled. If the alarm is disabled, the alarm will not be used to calculate or trigger anything.</p> <p><b>Default: Alarm 1 to Alarm 4 is enabled. Alarm 5 to Alarm 8 is disabled.</b></p>
<p><b>Input:</b></p>	<p>One of five inputs is selected to calculate the alarm condition status to trigger the selected outputs:</p> <ul style="list-style-type: none"> <li>• <b>INSTANT:</b> instantaneous gas reading.</li> <li>• <b>15 MIN AVG (STEL):</b> Short Term Exposure Limit, average reading over 15 minutes.</li> <li>• <b>8 HOURS AVG (TWA):</b> 8-hour Time Weighted Average, average reading over 8 hours.</li> <li>• <b>DAILY PEAK:</b> daily peak reading.</li> <li>• <b>FAULT:</b> If the unit reports any faults, no matter the gas concentration, it will trigger the selected outputs.</li> </ul>
<p><b>Alarm On and Alarm Off Reading:</b></p>	<p><i>If Alarm On is greater than or equal to Alarm Off:</i></p> <p>Alarm On: Sets the concentration at or above which the relay will actuate.</p> <p>Alarm Off: Sets the concentration at or below which the relay will de-actuate.</p> <p><i>If Action On is less than Action Off:</i></p> <p>Action On: Sets the concentration below that the relay will actuate.</p> <p>Action Off: Sets the concentration above that the relay will de-actuate.</p>
<p><b>Trigger:</b></p>	<p>Trigger Outputs: Relay 1, Relay 2, Relay 3, Buzzer 1, Buzzer 2, Buzzer 3</p>

**3.10 Menu “7\_RELAY STYLE”**

<p><b>Enabled:</b></p>	<p>Each relay may be individually set to be enabled or disabled. If it's disabled, the relay will always de-actuate no matter what the current gas concentration.</p> <p><b>Default is Enabled.</b></p>
<p><b>Normally De-energized:</b></p>	<p>Each relay may be individually set to be normally energized or normally de-energized.</p> <p><b>Default is normally de-energized.</b></p>
<p><b>Latching:</b></p>	<p>Each relay may be set to latch in actuate status until acknowledged by a front-panel action.</p> <p><b>Default is Non-Latching.</b></p>
<p><b>ON Delay:</b></p>	<p>“Delay on Actuation” or “Delay on Make”. For each relay a separate time delay may be set from 0 to 990 seconds before an alarm condition will cause the relay to actuate.</p> <p><b>Default is 5 seconds.</b></p>
<p><b>OFF Delay:</b></p>	<p>“Delay on De-Actuation” or “Delay on Break”. For each relay a separate time delay may be set from 0 to 990 seconds before a return to a non-alarming signal condition will cause the relay to de-actuate.</p> <p><b>Default is 5 seconds.</b></p>
<p><b>Style:</b></p>	<p>Normal Relay Style: Work as normal relay.</p> <p>Buzzer Style Relay: When the relay is used to control a buzzer or horn. Working as a buzzer style will make the relay have the same function as the buzzer. It will be switched off when performing the Hush Buzzer/Relay function in the Tool Menu.</p> <p><b>Default is OFF.</b></p>

### 3.11 Menu “8\_BUZZER STYLE”

The buzzer style is almost identical to that of the relays, except the style that represents the buzzer tone options:

- Tone 1: Chirp once.
- Tone 2: Chirp twice.
- Tone 3: Intermittent 50% duty cycle.
- Tone 4: Continuous.

The menus are identical to those for the Relay Style.

### 3.12 Menu “9\_A-OUT SETUP”

The Q5 will compare the concentration at 4mA and the concentration at 20mA. You may assign a larger concentration for 4mA than for 20 mA; the Q5 will still stretch a straight line signal between the two points and then convert the selected gas reading to analog output.

<b>Input:</b>	<p>One of four inputs is selected to calculate the analog outputs:</p> <ul style="list-style-type: none"> <li>• <b>INSTANT:</b> instantaneous gas reading.</li> <li>• <b>15 MIN AVG (STEL):</b> Short Term Exposure Limit, average reading over 15 minutes.</li> <li>• <b>8 HOURS AVG (TWA):</b> 8-hour Time Weighted Averages, average reading over 8 hours.</li> <li>• <b>DAILY PEAK:</b> daily peak reading.</li> </ul>
<b>Out 4mA at Conc:</b>	Input the gas concentration at which 4mA is output.
<b>Out 20mA at Conc:</b>	Input the gas concentration at which 20mA is output.
<b>VDC Output:</b>	<p>VDC Output can be selected from:</p> <ul style="list-style-type: none"> <li>• 1-5VDC or 2-10VDC</li> </ul>

**Note: The analog output cannot be disabled.**

**Note: When the sensor has a fault, the output will be 2.5mA to indicate fault status.**

### **3.13 Menu “A\_ALL DISABLE”**

This function is for calibration, system testing etc. When All Disable is ON, the status of the relay, buzzer and analog output, etc., will freeze in their current state.

**Default is OFF.**

### **3.14 Menu “B\_SIMULATION”**

Simulation mode is used to assist in testing the installation before commissioning. When simulation is enabled, the unit will not detect gas concentrations; it will display the simulated value and use it to calculate the status of relays and buzzers, as well as the 4-20mA analog output. This feature is available for evaluating the user settings and testing the installation (e.g.: the activation of the valve, fan speed, relay set points, etc. can be verified.)

Any concentration between 0ppm and 9999ppm can be simulated.

### **3.15 Menu “C\_SITE SERVICE” and “D\_FACTORY SET”**

Factory service staff access only. The customer has no need to operate it.

## **4. MODBUS Protocol Supported By Q5**

For ModBus protocol, please contact QEL.



## 5. Maintenance

### 5.1 DVM connection for 4-20mA measurement

- Interrupt the 4-20mA signal going from the Q5 to the controller (causing a fault):
  - Switch the DVM to measure DC current, on the main board plug the negative probe into GND and plug the positive probe into SIG -.
- Monitor the 4-20mA signal going from the Q5 to the controller (not causing a fault):
  - Switch the DVM to measure DC current, on the main board plug the negative probe into SIG - and plug the positive probe into SIG +.

### 5.2 4mA and 20mA Output Calibration

These values are established during the factory 4-20mA output calibrations and should not require recalibration in the field. Do not attempt to modify these settings in the field.

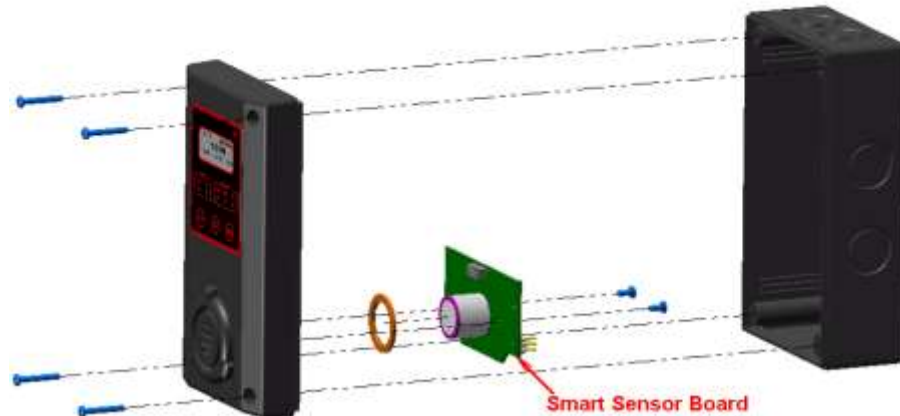
Changing these values will change the analog output signal scale.

- Entry [Menu]-->[System Setting]
- Choose [Out 4mA CAL]:
  1. Press key [F3] to output the 4mA signal.
  2. Connect the DVM to the unit as described above.
  3. Press key [F1] or key [F2] to adjust the current to 4.00mA to 4.05mA.
  4. Press key [F3], then the settings will be accepted and saved.
- Choose [Out 20mA CAL]:
  1. Press key [F3] to output the 20mA signal.
  2. Connect the DVM to the unit as described above.
  3. Press key [F1] or key [F2] to adjust the current to 20.00 to 20.05mA.
  4. Press key [F3], then the settings will be accepted and saved

## 5.3 Smart Sensor Assembly Replacement

### 5.3.1 Disassembling

Observe all safety and electrical codes and regulations before removing enclosure lid.



Important: Calibrate the transmitter whenever a component is replaced. But if you replace a smart sensor assembly with a sensor onboard from QEL, you don't need to recalibrate the transmitter, as all the calibration information has been stored in the smart sensor board in the factory process.

### 5.3.2 Replacement Procedure

To replace the entire smart sensor assembly, complete the following steps:

1. Power down the transmitter.
2. Remove the four screws securing the enclosure lid assembly to the base enclosure and remove the enclosure lid assembly.
3. Remove the two screws securing the smart sensor board and remove the smart sensor board from the lid assembly
4. Feed the O-ring over the sensor on the new smart sensor assembly
5. Plug the new smart sensor assembly and secure with two screws. Ensure that the connectors are correctly matched. Incorrect installation may damage the sensor assembly and/or the display board.

### 5.3.3 Replacement Parts

Code	Gas	Symbol	Span	Smart Sensor Assembly
0	Oxygen	O2	0 - 25%VOL	85930-016-000

Code	Gas	Symbol	Span	Smart Sensor Assembly
16	Methane	CH4	0 - 100%LEL	85930-017-016
17	Propane	C3H8	0 - 100%LEL	85930-017-017
18	Hydrogen	H2	0 - 100%LEL	85930-017-018
*19	Combustible	LEL	0 - 100%LEL	85930-017-019
*20	Ethylene	C2H4	0 - 100%LEL	85930-017-020
*21	Iso-Butane	C4H10	0 - 100%LEL	85930-017-021
*22	Iso-Pentane	C5H12	0 - 100%LEL	85930-017-022
*23	Methanol	CH3OH	0 - 100%LEL	85930-017-023
*24	Benzene	C6H6	0 - 100%LEL	85930-017-024
*25	Acetone	CH3CO	0 - 100%LEL	85930-017-025
*26	Butanol, n-Butane	BUTAN	0 - 100%LEL	85930-017-026

Code	Gas	Symbol	Span	Smart Sensor Assembly
1	Carbon Monoxide	CO	0 - 250ppm	85930-018-001
1	Carbon Monoxide	CO	0 - 1000ppm	85930-018-201
2	Hydrogen Sulfide	H2S	0 - 25ppm	85930-018-002
2	Hydrogen Sulfide	H2S	0 - 100ppm	85930-018-202
3	Sulphur Dioxide	SO2	0 - 6ppm	85930-018-003
5	Nitrogen Dioxide	NO2	0 - 10ppm	85930-018-005
6	Hydrogen	H2	0 - 1000ppm	85930-018-006
6	Hydrogen	H2	0 - 2000ppm	85930-018-206
7	Hydrogen Cyanide	HCN	0 - 50ppm	85930-018-007
9	Ammonia	NH3	0 - 100ppm	85930-018-009
9	Ammonia	NH3	0 - 1000ppm	85930-018-209
11	Ozone	O3	0 - 1ppm	85930-018-011
13	Chlorine	Cl2	0 - 5ppm	85930-018-013
14	Chlorine Dioxide	ClO2	0 - 2ppm	85930-018-014
96	Arsine	AsH3	0 - 1ppm	85930-018-096
97	Phosphine	PH3	0 - 5ppm	85930-018-097
97	Phosphine	PH3	0 - 1ppm	85930-018-297
98	Silane	SiH4	0 - 50ppm	85930-018-098
99	Germane	GeH4	0 - 2ppm	85930-018-099
100	Diborane	B2H6	0 - 2ppm	85930-018-100
Code	Gas	Symbol	Span	Smart Sensor Assembly

Q5 Operation And Maintenance Manual

4	Nitric Oxide	NO	0 - 100ppm	85930-018-004
8	Hydrogen Chloride	HCl	0 - 30ppm	85930-018-008
12	Ethylene Oxide	ETO	0 - 20ppm	85930-018-012
101	Hydrogen Bromide	HBr	0 - 30ppm	85930-018-101

<b>Code</b>	<b>Gas</b>	<b>Symbol</b>	<b>Span</b>	<b>Smart Sensor Assembly</b>
15	Carbon Dioxide	IR-CO2	0 - 5000ppm	85930-019-015
15	Carbon Dioxide	IR-CO2	0 - 5%VOL	85930-019-215
15	Carbon Dioxide	IR-CO2	0 - 20%VOL	85930-019-315
15	Carbon Dioxide	IR-CO2	0 - 100%VOL	85930-019-415
16	Methane	IR-CH4	0 - 100%LEL	85930-019-016
16	Methane	IR-CH4	0 - 100%VOL	85930-019-216

### 5.3.4 Accessories



Pump-thru &  
Calibration Cap Kit  
SKU#: 85930-006-000



Splash Guard Kit  
SKU#: 85930-007-000



Duct Mount Adapter Kit  
SKU#: 85930-040-000

Free stand or Duct mount IR-Probe

**Note: For Duct Mount Installation, Q5 needs both the Pump-thru Kit and Duct Mount Kit.**



Q-View & USB-RS485 Converter Kit SKU#: 85930-004-000

Q-View is Windows based software running on a PC to used configure Q5 sensors through an RS-485 network. It supports the QEL controller protocol (OptoMux) and ModBus protocol.

## 6. Troubleshooting

This troubleshooting guide is intended as an aid in identifying the cause of unexpected behavior and determining whether the behavior is due to normal operation or an internal or external problem.

SYMPTOMS	PROBABLE CAUSE	SUGGESTED SOLUTION
RS-485 RX LED or TX LED constantly ON	<ul style="list-style-type: none"> <li>• RS-485 bus connection has a problem</li> <li>• RS-485 driver U6 is damaged</li> <li>• Controller side RS-485 driver has problem</li> </ul>	<ul style="list-style-type: none"> <li>• Disconnect the cable to isolate the problem</li> <li>• Replace U6 IC on main board</li> <li>• Replace the RS-485 driver on the controller</li> </ul>
No response to gas	<ul style="list-style-type: none"> <li>• Sensor screen is dirty</li> <li>• Sensor has expired</li> </ul>	<ul style="list-style-type: none"> <li>• Clean sensor opening</li> <li>• Replace smart sensor assembly, see Replacement Parts</li> </ul>
Apparent false alarm	<ul style="list-style-type: none"> <li>• Puff of gas</li> <li>• Not properly calibrated</li> <li>• Solvent fumes or interference from high levels of interfering gas</li> <li>• Radio frequency interference</li> </ul>	<ul style="list-style-type: none"> <li>• Monitor is functioning</li> <li>• Recalibrate</li> <li>• Remove source of interfering gas</li> <li>• Check that grounding and shielding is correct</li> </ul>
No signal at controller	<ul style="list-style-type: none"> <li>• Maximum distance reached</li> <li>• Controller does not operate</li> </ul>	<ul style="list-style-type: none"> <li>• Verify loop resistance, change wire AWG</li> <li>• Troubleshoot controller</li> </ul>

## WARRANTY STATEMENT

The information contained in this manual is based upon data considered accurate; however, no warranty is expressed or implied regarding the accuracy of this data. All QEL equipment is warranted against defects in material and workmanship for a period of two years from date of shipment with the following exceptions:

Electrochemical Sensors (Toxic)	Six Months
Catalytic Sensors (Combustible)	One Year

During the warranty period we will repair or replace, at our discretion, any components or complete units that prove, in our opinion, to be defective. We are not liable for consequential or incidental damage to auxiliary interfaced equipment.

A returned material authorization number should be obtained from the factory prior to returning any goods. All return shipments must be shipped freight prepaid and a copy of the maintenance records should accompany the unit concerned.

Warranty should be considered F.O.B. the factory. Labour and travel time are chargeable for any field site visits required for warranty work.

## LIMITED LIABILITY

All QEL systems shall be installed by a qualified technician/electrician and maintained in strict accordance with data provided for individual systems in the form of installation/maintenance manuals. QEL assumes no responsibility for improper installation, maintenance, etc., and stresses the importance of reading all manuals. QEL shall not be responsible for any liability arising from auxiliary interfaced equipment nor any damage resulting from the installation or operation of this equipment.

QEL's total liability is contained as above with no other liability expressed or implied, as the purchaser is entirely responsible for installation and maintenance of systems.

This warranty is in lieu of all other warranties, expressed or implied, and no representative or person is authorized to represent or assume for QEL any liability in connection with the sales of our products other than that set forth herein.

NOTE: Due to on-going product development, QEL reserves the right to change specifications without notice and will assume no responsibility for any costs as a result of modifications.

For further information or assistance, contact:

### **QUATROSENSE ENVIRONMENTAL LTD.**

5935 Ottawa Street, PO Box 749

Richmond, Ontario

K0A 2Z0

Tel: (613) 838-4005

Fax: (613) 838-4018

Email: [QEL@QELsafety.com](mailto:QEL@QELsafety.com)

Web: [www.QELsafety.com](http://www.QELsafety.com)