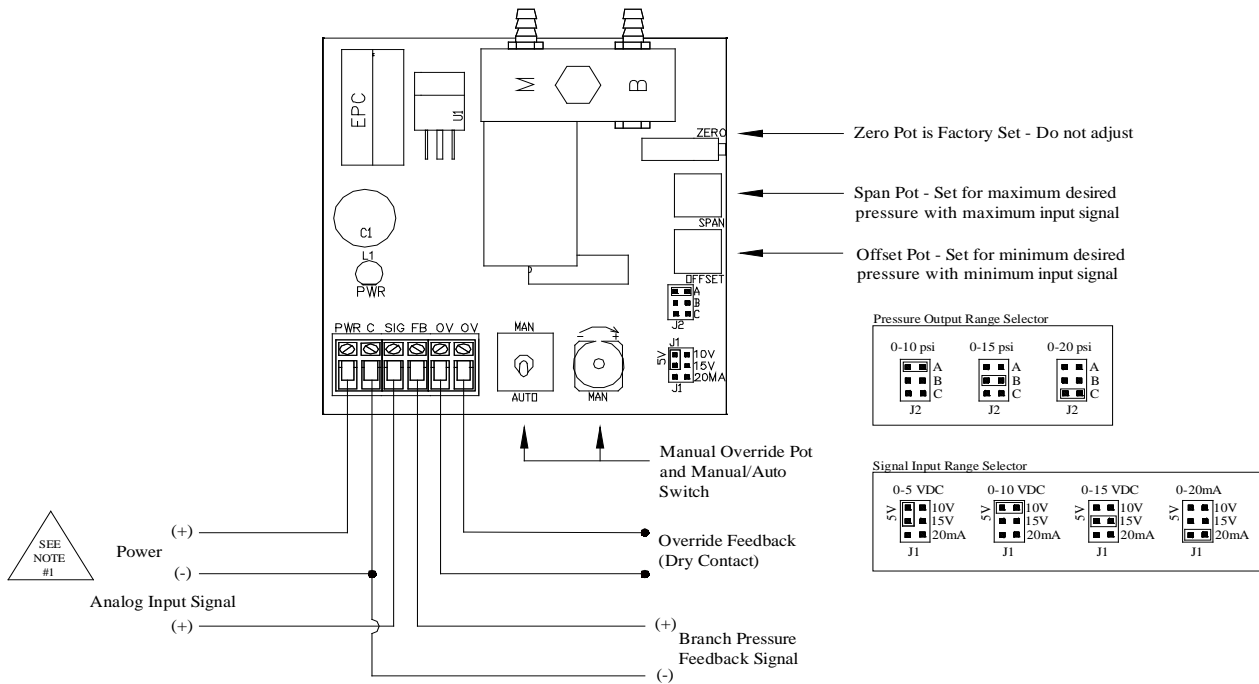




Installation and Operation Instructions EPC

Analog Current or Voltage Input to Modulated Pressure Output With Bleed Orifice



INSTALLATION

READ THESE INSTRUCTIONS BEFORE YOU BEGIN INSTALLATION.

Ground yourself before touching board. Some components are static sensitive.

Mounting:

Circuit board may be mounted in any position. If circuit board slides out of snap track, a non-conductive "stop" may be required. Use only fingers to remove board from snap track. Slide out of snap track or push against side of snap track and lift that side of the circuit board to remove. Do not flex board or use tools.



POWER CONNECTIONS – THIS PRODUCT ACCEPTS 24 VDC OR 24 VAC POWER.

Be sure to follow all local electrical codes. Refer to wiring diagram for connection information. **Be sure to make all connections with the power off.**

- 1.) DC Power – Refer to wiring diagram for connection information.
If the 24 VDC power is shared with devices that have coils such as relays, solenoids, or other inductors, each coil must have an MOV, DC Transorb, or diode placed across the coil or inductor. The cathode, or banded side of the DC Transorb or diode, connects to the positive side of the power supply.
- 2.) AC Power – Refer to wiring diagram for connection information.
Check the wiring configuration of any other loads that may be connected to this transformer. If required by BAS or controller specification, the 24 VAC neutral can be earth grounded at the transformer. Analog input, digital input, and analog output circuits should not be earth grounded at two points. Any field device connected to this transformer must use the same common. If you are not sure of other field device configuration, use separate transformers for isolation.
If the 24 VAC power is share with devices that have coils such as relays, solenoids, or other inductors, each coil must have an MOV, AC Transorb, or other spike snubbing device across each of the shared coils. Without these snubbers, coils produce very large voltage spikes when de-energizing that can cause malfunction or

- destruction of electronic circuits. Refer to wiring diagram for connection information.
- 3.) You should measure the actual voltage output of the secondary. If the output is not fully loaded you may read a higher voltage than the circuit board can handle.

ADJUSTMENT OF GAUGES. If installation requires adjustment of the gauge for proper reading of the face, turn the gauge no more than ½ turn in either direction. O-rings in the bottom of the gauge port will allow this without leakage.

Warranty does not include malfunction due to clogged valve. Main air port on EPC is filtered with the supplied 80 – 100 micron integral-in-barb filter (Part # PN004). Periodically check the filter for contamination and flow reduction. Replace if needed (Part # PN004).

The surface between the manifold and pressure transducer is a pressure seal. Minimize stress between the circuit board and the manifold by holding the manifold in one hand while installing pneumatic tubing onto the fittings, and use care when removing tubing to avoid damaging fittings or moving manifold.

The bleed orifice can be unscrewed with a ¼” hex driver for cleaning or inspection. Do not lose the sealing gasket or insert anything into the precision bleed orifice. Clean by swabbing with a degreaser and blowing clean air through the orifice from the opposite direction.

This unit requires at least two cubic inches (minimum) of branch air line capacity (approx. 15 feet of ¼” O.D. polyethylene tubing) to operate without oscillation. Main air must be minimum of 2 psig above highest desired branch output pressure. **Do not power without main air provided.**

CHECKOUT

With power off, select one of the four input signal combinations by moving the jumper shunt J1 identified as “Input Signal Range Selector”. Select a preset pressure output range by moving jumper shunt J2 identified as “Pressure Output Range Selector”, or set custom range as described below.

SETTING CUSTOM OUTPUT PRESSURE RANGE. Verify the MAN/AUTO switch is in the AUTO position. In AUTO, the manual override pot is inactive, the override contacts are open, and the analog input signal is supplying the set-point. The offset pot may be adjusted to any desired offset between 0 and 14 psig. When in the MANUAL position, the override contacts are closed, the offset pot is inactive and the manual override pot is supplying the set point (the analog input signal is locked out). Supply power and the LED power indicator will light, but only measurement will verify proper voltage.

- Setting the minimum pressure.** Make sure the signal connections are made and input is at minimum. Place the manual override switch to the AUTO position. Adjust the OFFSET pot to the desired pressure output, or until the actuator just starts to move. The adjustment range of the OFFSET pot is 0 to 9 psig (62.05 kPa), 0 to 14 psig (96.53 kPa), or 0 to 19 psig (131 kPa) depending on the range selected. Zero pot is factory set – **DO NOT ADJUST.**
- Setting the maximum pressure.** Now place the manual override switch to the MANUAL position. Turn the MANUAL pot to produce the maximum branch line pressure available. Turn the SPAN pot for the maximum desired output pressure, or until the actuator just stops. **Be sure the MAIN air pressure is at least 2 psig greater than the desired maximum branch output pressure.**
- Repeat.** Because the OFFSET and SPAN pots are slightly interactive, steps 1 and 2 must be repeated until the desired minimum and maximum pressures are repeatable. Since the MANUAL pot is set for maximum pressure, it is only required that you switch the manual override switch back and forth from MANUAL to AUTO when repeating steps 1 and 2. Calibration is usually accomplished in less than 3 iterations. Apply minimum and maximum input signals and measure response. Response between the minimum and maximum values will be linear, therefore software algorithms are easy to derive.

The feedback signal range on all selections is 0 to 5 VDC and is proportional to the output pressure range selected. The output and feedback signal will continue to vary proportionally if the input signal is increased beyond its upper limit (if there is enough main air available).

The EPC is a constant bleed interface and utilizes a precision bleed orifice to maintain a measured flow of air across the valve. The branch exhaust response time is determined by the combined exhaust air flow as well as pressure differentials. If power to the EPC is lost, it will continue to bleed through the orifice until branch pressure is 0 psig. To use the manual override, place the AUTO/MAN switch in the Man position.

The potentiometer is now operable, and by turning the knob you may increase or decrease the pneumatic output. EU Commission Directive 2002/95/EC (RoHS) Compliant

Power Supply Voltage:

24 VDC (+10%/-5%)

24 VAC (± 10%) 50/60 Hz at terminals

Supply Current:

180 mA max.

Feedback Signal Output:

Factory Calibrated 0-5 VDC = range selected

Input Signal Ranges: 0-5 VDC @ Infinite Ohms

0-10 VDC @ Infinite Ohms

0-15 VDC @ Infinite Ohms

0-20mA @ 250 Ohms

Air Supply:

Maximum 25 psig (172.38 kPa), minimum 18 psig (124.11 kPa)

Main air supply, 0–10 psig (68.95 kPa), 0-15 psig (103.43 kPa), and 0-20 psig (137.9 kPa) jumper selectable output pressure ranges.

Air Flow, @ 20 psig (137.9 kPa) main/15 psig (103.43kPa)

Exhaust Rate: 41 scim

Accuracy: 1% full scale at room temperature,

2% full scale at 32 to 120°F (0 to 48.8°C)

Override Contact Rating: 24 VAC or 24 VDC, 1A maximum