



# ROOM HUMIDITY SERIES

Installation & Operation Instructions

Phone: 1-888-967-5224

Website: workaci.com

## GENERAL INFORMATION

The A/RH Room Series Sensor is a Relative Humidity transmitter that can be powered with either an AC or DC supply voltage. The RH Room transmitter is field selectable with a 4-20 mA, 0-5 VDC, or 0-10 VDC output signal that is equivalent to 0 to 100% RH. All units are shipped from the factory set to 4-20 mA output. This sensor is designed for use with electronic controllers in commercial heating and cooling building management systems. The transmitter can also include an optional temperature sensor for monitoring the space temperature.

### For optimal readings, follow these tips:

- Do not install on external walls.
- Avoid air registers, diffusers, vents, and windows.
- Avoid confined areas such as shelves, closed cabinets, closets, and behind curtains.
- Eliminate and seal all wall and conduit penetrations. Air migration from wall cavities may alter temperature readings.
- A thermally-insulated backing should be used when fitting to solid walls (concrete, steel, etc.). ACI part: A/ROOM-FOAM-PAD
- Do not install near heat sources, eg: lamps, radiators, direct sunlight, copiers, chimney walls, walls concealing hot-water pipes.

## MOUNTING INSTRUCTIONS

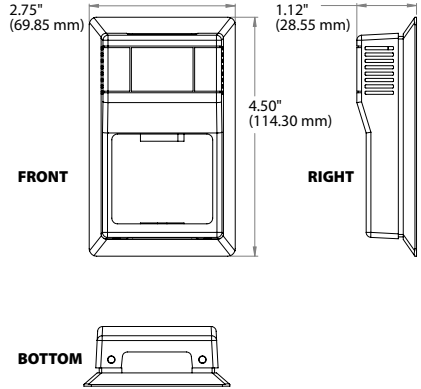
Separate the cover from the base. Attach the base directly to the wall or to a standard 2" x 4" junction box using the (2) #6-32 x 1" screws provided.

Take care when mounting. Check local code for mounting height requirements. Typical mounting heights are 48-60" (1.2-1.5 m) off the ground and at least 1.5' (0.5 m) from the adjacent wall. The sensor should be mounted in an area where air circulation is well mixed and not blocked by obstructions - see **FIGURE 2** (p.2).

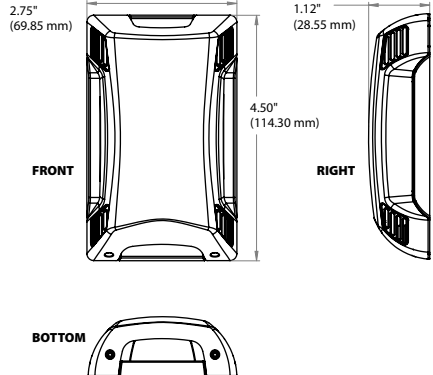
Refer to the **Wiring Instructions** (p. 2) to make necessary connections. After wiring, attach the cover to the base by snapping the top of the cover on first and then the bottom. Tighten the cover down, using the (2) 1/16" Allen screws located in the bottom of the housing. A 1/16" Hex driver is needed to secure the cover to the base.

## FIGURE 1: ROOM DIMENSIONS

### ROOM, VERSION 1 [R]



### ROOM, VERSION 2 [R2]



# WIRING INSTRUCTIONS

## PRECAUTIONS

- Do not run the temperature sensor wiring in any conduit with line voltage (24/120/230 VAC) if utilizing resistance temperature signal.
- Remove power before wiring. Never connect or disconnect wiring with power applied.
- When using a shielded cable, ground the shield only at the controller end. Grounding both ends can cause a ground loop.
- It is recommended you use an isolated UL-listed class 2 transformer when powering the unit with 24 VAC. Failure to wire the devices with the correct polarity when sharing transformers may result in damage to any device powered by the shared transformer.
- If the 24 VDC or 24VAC power is shared with devices that have coils such as relays, solenoids, or other inductors, each coil must have an MOV, DC/AC Transorb, Transient Voltage Suppressor (ACI Part: 142583), or diode placed across the coil or inductor. The cathode, or banded side of the DC Transorb or diode, connects to the positive side of the power supply. Without these snubbers, coils produce very large voltage spikes when de-energizing that can cause malfunction or destruction of electronic circuits.

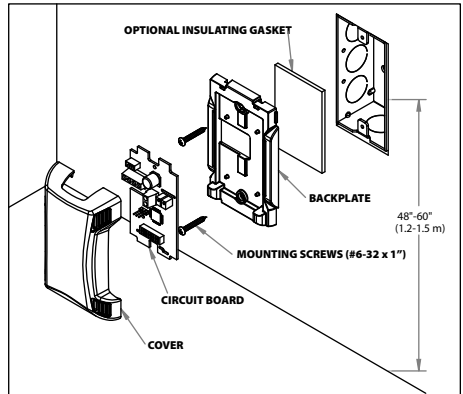
## Relative Humidity Wiring Instructions

Open the cover of the enclosure. ACI recommends 16 to 26 AWG twisted pair wires or shielded cable for all transmitters. Twisted pair may be used for 2-wire current output transmitters or 3-wire for voltage output. Refer to **FIGURE 3** (below) for wiring diagrams.

## Temperature Wiring Instructions

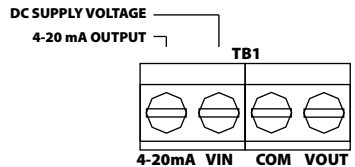
Signal wiring must be run separate from low and high voltage wires (24/120/230 VAC). All ACI thermistors and RTD temperature sensors are both non-polarity and non-position sensitive.

**FIGURE 2: MOUNTING**

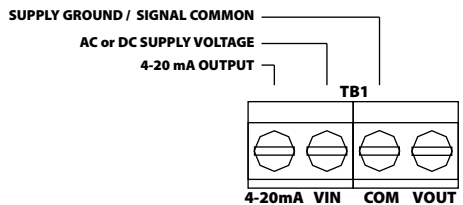


**FIGURE 3: OUTPUT SIGNALS**

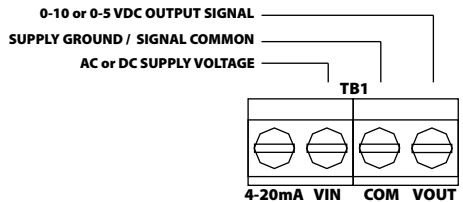
### 2 WIRE CURRENT OUTPUT SIGNAL



### 3 WIRE CURRENT OUTPUT SIGNAL



### VOLTAGE OUTPUT SIGNAL



## WIRING INSTRUCTIONS (Continued)

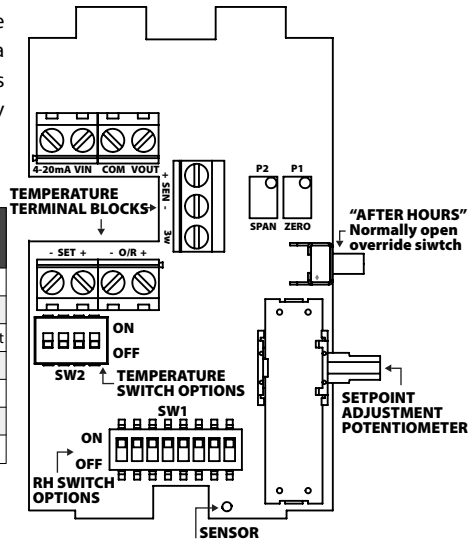
### Temperature Wiring Instructions (Continued)

All thermistor type room units are supplied with a two-pole terminal block and all RTD's can be supplied with either a two or three-pole terminal block. The number of wires needed depends on the application. All wiring must comply with all local and National Electric Codes.

**TABLE 1: TEMPERATURE CONNECTIONS**

TERMINAL BLOCKS	CONNECTIONS
SEN +	Temp. sensor signal to controller analog input
SEN -	Temp. sensor signal common to controller analog input
3W	Temp. sensor signal common to controller (RTD 3W Only) analog input
SET +	Temp. set point signal to controller analog input
SET -	Temp. set point signal common to controller analog input
O/R +	Override signal to controller analog input
O/R -	Override signal common to controller analog input

**FIGURE 5: LAYOUT**



**Note:** When using a shielded cable, be sure to connect only (1) end of the shield to ground at the controller. Connecting both ends of the shield to ground may cause a ground loop. When removing the shield from the sensor end, make sure to properly trim the shield to prevent any chance of shorting.

**Note:** If the controller requires a (2) wire input for a RTD, connect the (2) common wires (same color) together. If the controller requires (3) wires, use (3) individual wires.

## COMMON OUTPUT TO CONTROLLER

### Override Short Sensor

When wanting to use a Single Common for both Setpoint and Sensor on an Override Short Sensor, connect one wire in series with one of the Sensor(-) or Setpoint(-) Terminals. These two terminals may then be tied to the common of the controller with one wire, while the other two terminals would need to be connected to the proper Analog Inputs on your controller.

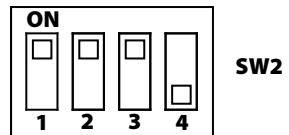
### Override Separate Input

When wanting to use a Single Common for all (3) of the Outputs on a Separate Input Sensor, connect one wire in series with one of the Sensor(-), Setpoint(-), or Override(-) Terminals. These three terminals may then be tied to the common of the controller with one wire, while the other three terminals would need to be connected to the proper Analog Inputs on your controller.

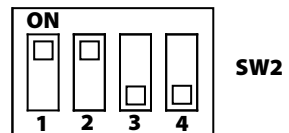
**\*Reference FIGURE 6 (right)**

**FIGURE 6: OUTPUT SWITCHES**

### COMMON GROUND OVERRIDE SHORTS SENSOR



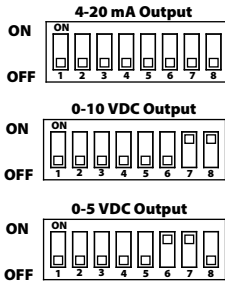
### COMMON GROUND OVERRIDE SEPARATE INPUT



## OUTPUT SIGNALS

Switches 6, 7, and 8 are used to set the RH output signal. Refer to **FIGURE 7** (below) for switch settings.

### FIGURE 7: OUTPUT SELECTION SWITCHES



## HUMIDITY REVERSE ACTING OUTPUT

The output is direct acting and can be changed to reverse acting mode. The output range stays the same but the corresponding RH value is opposite.

### Example:

#### Direct Acting (DA)

0-10 V output mode,  
0 V = 0% RH and 10 V = 100% RH

#### Reverse Acting (RA)

0-10 V output mode,  
0 V = 100% and 10 V = 0%

To change the transmitter to reverse acting or back to direct acting, set switch 4 to ON to put the unit in setup mode. After switch 4 is on, turning switch 2 to ON will put the unit in direct/reverse acting mode. When switch 2 is set to ON, the output can be used to show if the unit is in direct or reverse acting mode. For direct acting, the output will be 1 V for 0-5 V, 2 V for 0-10 V, and 7.2 mA for 4-20 mA. For reverse acting the output will be 4 V for 0-5 V, 8 V for 0-10 V, and 16.8 mA for 4-20 mA.

With switches 2 and 4 ON, each time switch 5 is set to ON the output will change to reverse acting or direct acting.

To reset the unit to the default setting, toggle both switches 5 and 6 ON then OFF while both switches 2 and 4 are ON.

When all calibration is completed, remember to place the switches back into the positions that correspond to the output needed as shown in **FIGURE 7** (above).

## RH CALIBRATION INSTRUCTIONS

**Note:** This is only a single point calibration. All transmitters are factory calibrated to meet/exceed published specifications. Field adjustment should not be necessary.

The dipswitch allows the user to calibrate the sensor through the software. Setting switch 4 ON will put the transmitter into setup mode allowing the increment and decrement to work.

Once in setup mode, the output will change to 50% (2.5 V for 0-5 V, 5 V for 0-10 V, 12 mA for 4-20 mA). Each increment or decrement step will cause the output to change by 0.1 V for 0-5 V, 0.2 V for 0-10 V, and 0.32 mA for 4-20 mA in setup mode. This can be used to show the user how far offset the transmitter is. To see the starting point again set switch 1 ON. This will show the 50% output again. When the unit is out of setup mode the output will go back to RH output. The maximum offset is 10%. There can be a total of 20 increments.

### Increment RH Output

This will shift the RH output linearly up in 0.5% steps. Switch 4 must be set to ON first. After switch 4 is on, each time switch 5 is set ON the RH output will increase by 0.5%. The increase goes into effect each time switch 5 is set to ON.

### Decrement RH Output

This will shift the RH output linearly down in 0.5% steps. Switch 4 must be set to ON first. After switch 4 is on, each time switch 6 is set ON the RH output will decrease by 0.5%. The decrease goes into effect each time switch 6 is set to ON.

### Reset RH Output

This will reset the RH output back to the original calibration. Switch 4 must be set to ON first. After switch 4 is on, toggle switches 5 and 6 ON then OFF. After 5 and 6 are OFF, slide switch 4 OFF.

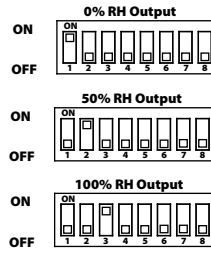
When all calibration is completed, remember to place the switches back into the positions that correspond to the output needed as shown in **FIGURE 7** (above).

## TEST INSTRUCTIONS

Test mode will make the transmitter output a fixed 0%, 50%, or 100% value. The sensor will not affect the transmitter output. This is used for troubleshooting or testing only.

Switches 1, 2, and 3 are used for test mode. The output will be a fixed 0%, 50%, or 100% signal that corresponds to the output selected with switches 6, 7, and 8. Refer to **FIGURE 8** (right) for switch settings.

## FIGURE 8: TEST SELECTION SWITCHES



## RH CONVERSION FORMULAS

	4-20 mA	0-5 VDC	0-10 VDC
<b>Formula:</b>	$[(\text{mA signal}) - 4] / 0.16 = \text{percent RH}$	$[\text{VDC signal}] / 0.05 = \text{percent RH}$	$[\text{VDC signal}] / 0.10 = \text{percent RH}$
<b>Example:</b>	12 mA output signal $(12 - 4) / 0.16 = 50\% \text{ RH}$	1.25 vdc output signal $1.25 / 0.05 = 25\% \text{ RH}$	7.50 vdc output signal $7.50 / 0.10 = 75\% \text{ RH}$

## TEMPERATURE SETPOINT CONTROL

Adjust slider at right side of housing for set point control. Slide upwards to increase set point temperature. Slide downwards to decrease temperature control. Units can be setup from factory for Direct Acting (resistance increases when adjusted upwards), or Reverse Acting (resistance decreases when adjusted downwards).

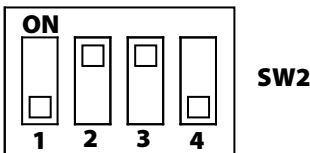
## TEMPERATURE OVERRIDE OPTIONS

Override will be set to Override Short Sensor (default). Adjust SW2 switches to change.

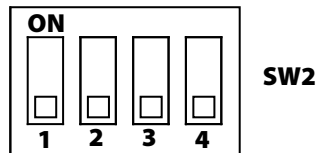
\*Reference **FIGURE 9** (below)

## FIGURE 9: OVERRIDE OPTIONS

### OVERRIDE SHORT SENSOR



### OVERRIDE SEPARATE INPUT



## WARRANTY

The ACI Room Series RH sensors are covered by ACI's Five (5) Year Limited Warranty, which is located in the front of ACI'S SENSORS & TRANSMITTERS CATALOG or can be found on ACI's website: [www.workaci.com](http://www.workaci.com).

## W.E.E.E. DIRECTIVE

At the end of their useful life the packaging and product should be disposed of via a suitable recycling centre. Do not dispose of with household waste. Do not burn.

# PRODUCT SPECIFICATIONS

SENSOR SPECIFIC		
RELATIVE HUMIDITY	<b>RH Supply Voltage:</b> (Reverse Polarity Protected)	<b>4-20 mA:</b> 250 Ω Load: 15 - 40 VDC / 18 - 28 VAC   <b>500 Ω Load:</b> 18 - 40 VDC / 18 - 28 VAC <b>0-5 VDC:</b> 12 - 40 VDC / 18 - 28 VAC   <b>0-10 VDC:</b> 18 - 40 VDC / 18 - 28 VAC
	<b>RH Supply Current (VA):</b>	<b>Voltage Output:</b> 8 mA max (0.32 VA)   <b>Current Output:</b> 24 mA max (0.83 VA)
	<b>RH Output Load Resistance:</b>	<b>4-20 mA:</b> 700 Ω maximum   <b>0-5 VDC or 0-10 VDC:</b> 4K Ω Minimum
	<b>RH Output Signal:</b>	<b>2-wire:</b> 4 - 20 mA (Default)   <b>3-wire:</b> 0-5 or 0-10 VDC and 4 - 20 mA (Field Selectable)
	<b>RH Accuracy @ 77°F (25°C):</b>	+/- 1% over 20% RH Range between 20 to 90%   +/- 2%, 3%, or 5% from 10 to 95%
	<b>RH Measurement Range:</b>	0-100%
	<b>Operating RH Range:</b>	0 to 95% RH, non-condensing
	<b>Operating Temperature Range:</b>	35 to 122 °F (1.5 to 60 °C)
	<b>Storage Temperature Range:</b>	-40 to 149 °F (-40 to 65 °C)
	<b>RH Stability   Repeatability   Sensitivity:</b>	Less than 2% drift / 5 years   0.5% RH   0.1% RH
	<b>RH Response Time (T63):</b>	20 Seconds Typical
	<b>RH Sensor Type:</b>	Capacitive with Hydrophobic Filter
	<b>RH Transmitter Stabilization Time:</b>	30 Minutes (Recommended time before doing accuracy verification)
<b>RH Connections   Wire Size:</b>	Screw Terminal Blocks (Polarity Sensitive)   16 (1.31 mm <sup>2</sup> ) to 26 AWG (0.129 mm <sup>2</sup> )	
<b>RH Terminal Block Torque Rating:</b>	4.43 to 5.31 lb-in (0.5 to 0.6 Nm)	
<b>Enclosure Specifications (Flammability, Temperature, NEMA/IP Rating):</b>	<b>"R" Enclosure:</b> ABS Plastic   Beige UL94-HB <b>"-R2" Enclosure:</b> ABS Plastic   White, UL94-HB	
THERMISTOR		
TEMPERATURE (OPTIONAL)	<b>Sensor Output @ 25 °C (77 °F):</b>	<b>RHx-1.8K:</b> 1.8 KΩ nominal <b>RHx-3K:</b> 3 KΩ nominal <b>RHx-AN (Type III):</b> 10 KΩ nominal <b>RHx-AN-BC:</b> 5.238 KΩ nominal <b>RHx-CP (Type II):</b> 10 KΩ nominal <b>RHx-50K:</b> 50 KΩ nominal
	<b>Accuracy @ 0-70 °C (32 - 158 °F):</b>	<b>RHx-1.8K Series:</b> +/- 0.5 °C @ 25 °C (77 °F) and (+/-1.0 °C) (+/-1.8 °F) <b>RHx-CSI:</b> 10 KΩ nominal <b>RHx-10KS:</b> 10 KΩ nominal <b>RHx-10K-E1:</b> 10 KΩ nominal <b>RHx-20K:</b> 20 KΩ nominal <b>RHx-100KS:</b> 100 KΩ nominal
TEMPERATURE (OPTIONAL)	PLATINUM	
	<b>Sensor Output @ 0 °C (32 °F):</b>	<b>RHx-100:</b> 100 Ω nominal   <b>RHx-1K:</b> 1 KΩ nominal
	<b>Accuracy:</b>	+/- 0.06% Class A (Tolerance Formula: +/- °C = (0.15 °C + (0.002 *  t )) where  t  is the absolute value of Temperature above or below 0 °C in °C)
		<b>@ -40 °C (-40 °F):</b> +/- 0.23°C (+/- 0.414°F) <b>@ 0 °C (32 °F):</b> +/- 0.15 °C (+/- 0.27 °F) <b>@ 60 °C (140 °F):</b> +/- 0.27 °C (+/- 0.49 °F)
TEMPERATURE (OPTIONAL)	NICKEL	
	<b>Sensor Output @ 21.1 °C (70 °F):</b>	1 KΩ nominal
	<b>Accuracy:</b>	<b>@ -40 °C (-40 °F):</b> +/- 1.52 °C (+/- 2.73 °F) <b>@ 0 °C (32 °F):</b> +/- 0.4 °C (+/- 0.72 °F) <b>@ 21.1 °C (70 °F):</b> +/- 0.17 °C (+/- 0.34 °F) <b>@ 54.4 °C (130 °F):</b> +/- 0.56 °C (+/- 1.00°F)
TEMPERATURE (OPTIONAL)	BALCO	
	<b>Sensor Output @ 21.1 °C (70 °F):</b>	1 KΩ nominal
	<b>Accuracy:</b>	<b>@ 21.1 °C (70 °F):</b> +/- 1%



# TROUBLESHOOTING

HUMIDITY READING PROBLEM	SOLUTION(S)
<b>No Reading</b>	<ul style="list-style-type: none"> <li>• Check that you have the correct supply voltage at the power terminal blocks.</li> <li>• Check that wiring configurations and all DIP switch settings are as in <b>FIGURE 3</b> (p. 2) and <b>7</b> (p. 4).</li> <li>• Verify that the terminal screws are all connected tightly and that all of the wires are firmly in place.</li> </ul>
<b>Erratic readings</b>	<ul style="list-style-type: none"> <li>• Verify that all of the wires are terminated properly.</li> <li>• Make sure that there is no condensation on the board.</li> <li>• Check that the input power is clean. In areas of high RF interference or noise, shielded cable may be necessary to stabilize signal.</li> </ul>
<b>Inaccurate readings</b>	<ul style="list-style-type: none"> <li>• Verify proper mounting location to confirm no external factors (see mounting locations above).</li> <li>• Check the output (voltage or current) against a highly accurate recently calibrated secondary reference. Measure RH at the location of the sensor using the secondary reference, then calculate the RH percentage using the <b>RH CONVERSION FORMULAS</b> (p. 6). Compare the calculated output to reference.</li> <li>• If the sensor is brand new, leave the sensor powered for at least 30 minutes to stabilize.</li> <li>• If you suspect that the transmitter is not reading within the specified tolerance, please contact ACI for further assistance.</li> </ul>
TEMPERATURE (Optional) PROBLEM	SOLUTION(S)
<b>Sensor reading is incorrect</b>	<ul style="list-style-type: none"> <li>• Verify sensor wiring to controller is not damaged and has continuity.</li> <li>• Verify sensor or wires are not shorted together.</li> <li>• Verify controller is setup for correct sensor curve.</li> <li>• Disconnect wires from sensor terminal block, tighten terminal block screws down, and take a resistance (ohm) reading with a multimeter.</li> <li>• Compare the resistance reading to the Temperature Vs Resistance Curves online: <a href="http://www.workaci.com/content/thermistor-curves-0">http://www.workaci.com/content/thermistor-curves-0</a></li> <li>• Verify proper mounting location to confirm no external factors are affecting reading.</li> </ul>
<b>Sensor reads infinity/very high resistance</b>	<ul style="list-style-type: none"> <li>• Sensor or wires are open.</li> </ul>
<b>Sensor reads low resistance</b>	<ul style="list-style-type: none"> <li>• Sensor or wires are shorted together.</li> </ul>
<b>Erratic readings</b>	<ul style="list-style-type: none"> <li>• Condensation on PCB board</li> <li>• Bad wire connections.</li> </ul>



# NOTES

---

---

---

---

---

---

---

---

---

---

---

---

---

---

---

---

---

---

---

---

---

---

---

---



**Automation Components, Inc.**  
2305 Pleasant View Road  
Middleton, WI 53562  
**Phone:** 1-888-967-5224  
**Website:** workaci.com