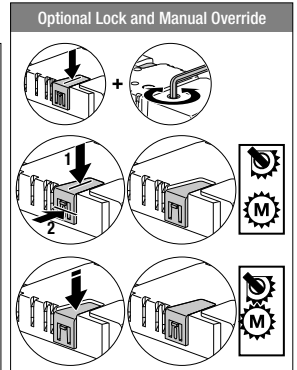
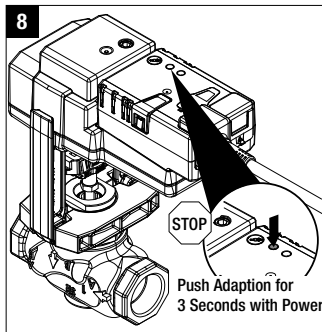
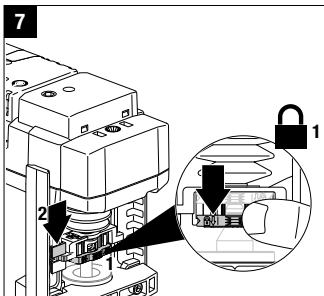
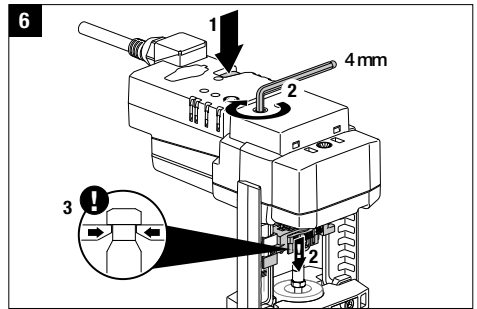
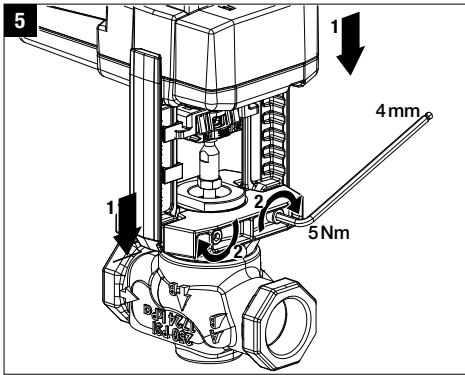
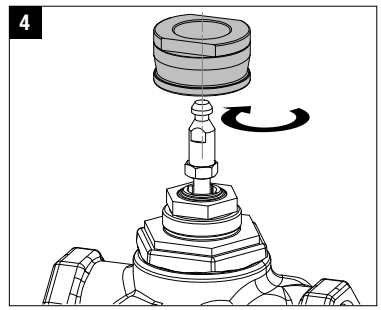
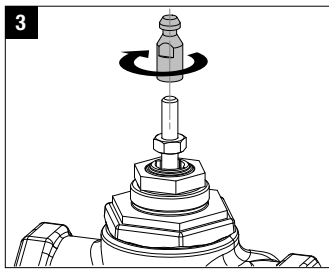
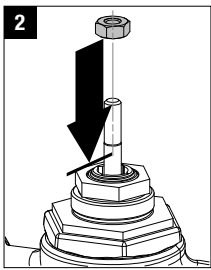
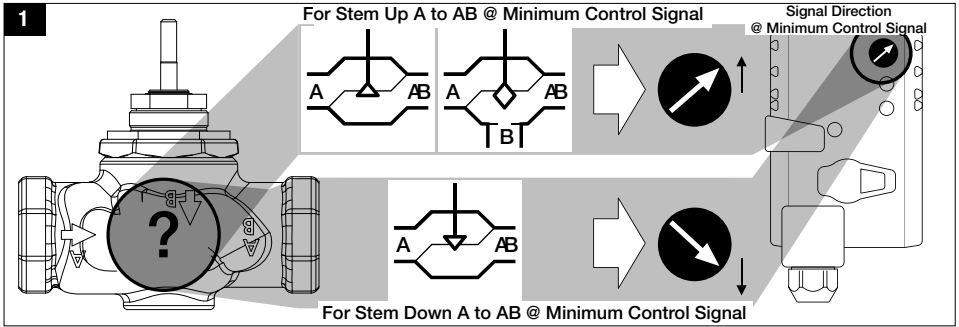


QUICK MOUNT VISUAL INSTRUCTION MANUAL

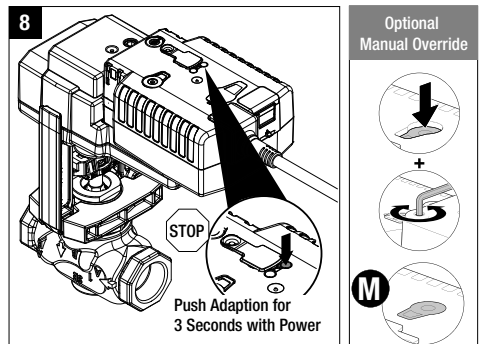
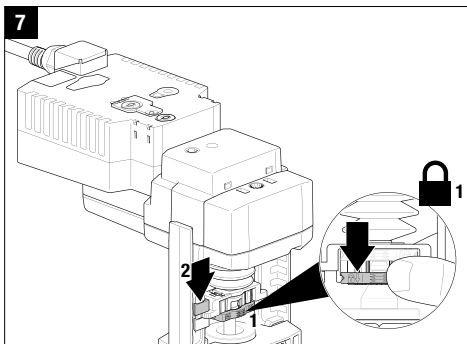
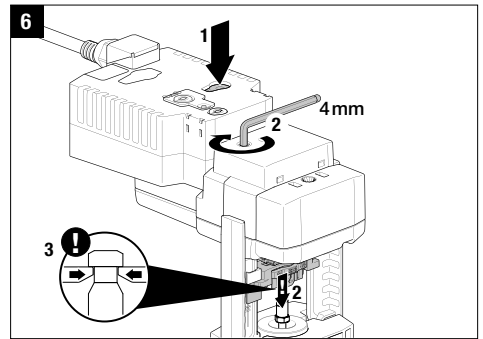
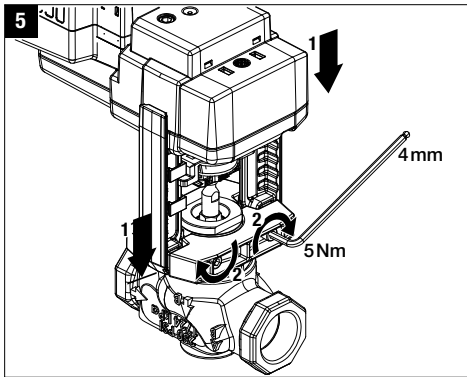
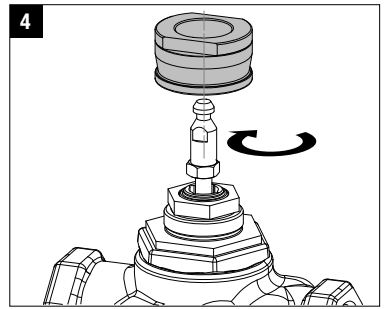
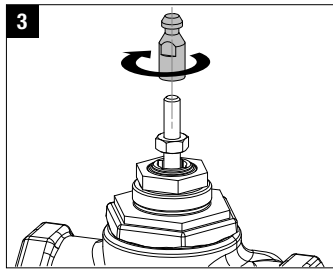
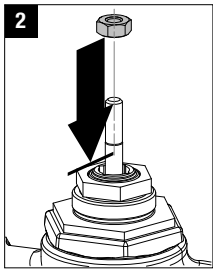
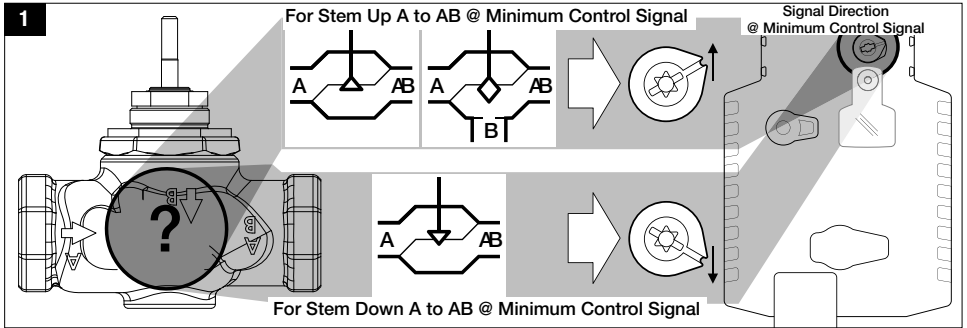
SGVL/G2/G3 Linkage with LV and SV Series Actuators



WIRING DIAGRAMS

<p>Non-Spring Return Actuator with -3</p> <p>24 VAC Transformer</p> <p>Line Volts</p> <p>Blk (1) Common Red (2) + Wht (3) Y Input Org (18) U Output</p> <p>On/Off</p>	<p>Floating Point</p> <p>24 VAC Transformer</p> <p>Line Volts</p> <p>Blk (1) Common Red (2) + Wht (3) Y Input Org (18) U Output</p> <p>Floating Point</p>	<p>Non-Spring Return Actuator with -SR</p> <p>24 VAC Transformer</p> <p>Line Volts</p> <p>Blk (1) Common Red (2) + Wht (3) Y Input, 2 to 10 V Org (18) U Output, 2 to 10 V</p> <p>VDC / 4 to 20 mA</p>																																																				
<p>On/Off</p> <p>100 to 240 VAC</p> <p>Line N L1 Hot H L2</p> <p>Blk (1) Common - Brn (2) + Wht (3) Y Input Org (18) U Output</p> <p>On/Off</p>	<p>Floating Point</p> <p>100 to 240 VAC</p> <p>Line N L1 Hot H L2</p> <p>Blk (1) Common - Brn (2) + Wht (3) Y Input Org (18) U Output</p> <p>Floating Point</p>	<p>Selector Switch</p> <p>Signal Direction</p>																																																				
<p>Triac Sink</p> <p>24 VAC Transformer (AC only)</p> <p>Line Volts</p> <p>Blk (1) Common - Red (2) + Hot Wht (3) Y Input Org (18) U Output</p> <p>Triac Sink</p>	<p>Triac Source</p> <p>24 VAC Transformer (AC only)</p> <p>Line Volts</p> <p>Blk (1) Common - Red (2) + Hot Wht (3) Y Input Org (18) U Output</p> <p>Triac Source</p>	<p>Notes:</p> <ul style="list-style-type: none"> Meets cULus requirements without the need of an electrical ground connection Actuators with appliance cables are numbered. Actuators may be connected in parallel. Power consumption and input impedance must be observed. Actuators may also be powered by 24 VDC. Only connect common to neg. (-) leg of control circuits. A 500 Ω resistor converts the 4 to 20 mA control signal to 2 to 10 VDC. Control signal may be pulsed from either the Hot (Source) or Common (Sink) 24 VAC line. Contact closures A & B also can be triacs. A & B should both be closed for the triac source and open for triac sink. For triac sink the Common connection from the actuator must be connected to the Hot connection of the controller. Position feedback cannot be used with a triac sink controller. The actuator internal common reference is not compatible. IN4004 or IN4007 diode. (IN4007 supplied, Belimo Part number 40155) Actuators with plenum rated cable do not have numbers on wires; use color codes instead. 																																																				
<p>Non-Spring Return Actuator with MFT</p> <p>24 VAC Transformer</p> <p>Line Volts</p> <p>Blk (1) Common Red (2) + Wht (3) Y Input Org (18) U Output</p> <p>2 to 10 VDC Feedback Signal (-) VDC/mA (+)</p> <p>On/Off</p>	<p>Floating Point</p> <p>24 VAC Transformer</p> <p>Line Volts</p> <p>Blk (1) - Common Red (2) + Hot Wht (3) Y Input Org (18) U Output 2 to 10 V</p> <p>2 to 10 VDC Feedback Signal (-) VDC/mA (+)</p> <p>Direction of rotation switch</p> <table border="1"> <tr> <td>Min</td> <td>50%</td> <td>0</td> <td>1</td> <td>2</td> <td>3</td> <td>4</td> <td>5</td> <td>6</td> <td>7</td> <td>8</td> <td>9</td> <td>10</td> </tr> <tr> <td>Mid</td> <td>50%</td> <td>0</td> <td>1</td> <td>2</td> <td>3</td> <td>4</td> <td>5</td> <td>6</td> <td>7</td> <td>8</td> <td>9</td> <td>10</td> </tr> <tr> <td>Max</td> <td>100%</td> <td>0</td> <td>1</td> <td>2</td> <td>3</td> <td>4</td> <td>5</td> <td>6</td> <td>7</td> <td>8</td> <td>9</td> <td>10</td> </tr> <tr> <td>Normal</td> <td>Control mode</td> <td>...</td> <td>...</td> <td>...</td> <td>...</td> <td>...</td> <td>...</td> <td>...</td> <td>...</td> <td>...</td> <td>...</td> <td>...</td> </tr> </table> <p>Floating Point</p>	Min	50%	0	1	2	3	4	5	6	7	8	9	10	Mid	50%	0	1	2	3	4	5	6	7	8	9	10	Max	100%	0	1	2	3	4	5	6	7	8	9	10	Normal	Control mode	<p>Notes:</p> <ul style="list-style-type: none"> Meets cULus requirements without the need of an electrical ground connection Actuators with appliance cables are numbered. Actuators may be connected in parallel. Power consumption and input impedance must be observed. Actuators may also be powered by 24 VDC. Only connect common to neg. (-) leg of control circuits. A 500 Ω resistor converts the 4 to 20 mA control signal to 2 to 10 VDC. Control signal may be pulsed from either the Hot (Source) or Common (Sink) 24 VAC line. Contact closures A & B also can be triacs. A & B should both be closed for the triac source and open for triac sink. For triac sink the Common connection from the actuator must be connected to the Hot connection of the controller. Position feedback cannot be used with a triac sink controller. The actuator internal common reference is not compatible. IN4004 or IN4007 diode. (IN4007 supplied, Belimo Part number 40155) Actuators with plenum rated cable do not have numbers on wires; use color codes instead.
Min	50%	0	1	2	3	4	5	6	7	8	9	10																																										
Mid	50%	0	1	2	3	4	5	6	7	8	9	10																																										
Max	100%	0	1	2	3	4	5	6	7	8	9	10																																										
Normal	Control mode																																										
<p>VDC / 4 to 20 mA</p> <p>24 VAC Transformer</p> <p>Line Volts</p> <p>Blk (1) Common Red (2) + Hot Wht (3) Y Input, 2 to 10 V Org (18) U Output, 2 to 10 V</p> <p>Control Signal (-) VDC/mA (+)</p> <p>VDC / 4 to 20 mA</p>	<p>Override Control Min, Mid, Max Positions</p> <p>24 VAC Transformer (AC Only)</p> <p>Line Volts</p> <p>Blk (1) Common + Red (2) + Hot Wht (3) Y Input, 2 to 10 V Org (18) U Output</p> <p>Control Signal (-) VDC/mA (+)</p> <p>500 Ω 1/4 W</p> <p>Direction of rotation switch</p> <table border="1"> <tr> <td>Min</td> <td>50%</td> <td>0</td> <td>1</td> <td>2</td> <td>3</td> <td>4</td> <td>5</td> <td>6</td> <td>7</td> <td>8</td> <td>9</td> <td>10</td> </tr> <tr> <td>Mid</td> <td>50%</td> <td>0</td> <td>1</td> <td>2</td> <td>3</td> <td>4</td> <td>5</td> <td>6</td> <td>7</td> <td>8</td> <td>9</td> <td>10</td> </tr> <tr> <td>Max</td> <td>100%</td> <td>0</td> <td>1</td> <td>2</td> <td>3</td> <td>4</td> <td>5</td> <td>6</td> <td>7</td> <td>8</td> <td>9</td> <td>10</td> </tr> <tr> <td>Normal</td> <td>Control mode</td> <td>...</td> <td>...</td> <td>...</td> <td>...</td> <td>...</td> <td>...</td> <td>...</td> <td>...</td> <td>...</td> <td>...</td> <td>...</td> </tr> </table> <p>Override Control Min, Mid, Max Positions</p>	Min	50%	0	1	2	3	4	5	6	7	8	9	10	Mid	50%	0	1	2	3	4	5	6	7	8	9	10	Max	100%	0	1	2	3	4	5	6	7	8	9	10	Normal	Control mode	<p>Notes:</p> <ul style="list-style-type: none"> Meets cULus requirements without the need of an electrical ground connection Actuators with appliance cables are numbered. Actuators may be connected in parallel. Power consumption and input impedance must be observed. Actuators may also be powered by 24 VDC. Only connect common to neg. (-) leg of control circuits. A 500 Ω resistor converts the 4 to 20 mA control signal to 2 to 10 VDC. Control signal may be pulsed from either the Hot (Source) or Common (Sink) 24 VAC line. Contact closures A & B also can be triacs. A & B should both be closed for the triac source and open for triac sink. For triac sink the Common connection from the actuator must be connected to the Hot connection of the controller. Position feedback cannot be used with a triac sink controller. The actuator internal common reference is not compatible. IN4004 or IN4007 diode. (IN4007 supplied, Belimo Part number 40155) Actuators with plenum rated cable do not have numbers on wires; use color codes instead.
Min	50%	0	1	2	3	4	5	6	7	8	9	10																																										
Mid	50%	0	1	2	3	4	5	6	7	8	9	10																																										
Max	100%	0	1	2	3	4	5	6	7	8	9	10																																										
Normal	Control mode																																										

- BRN Brown
- BLU Blue
- ORG Orange
- PWK Pink
- WHT White
- RED Red
- BLK Black
- MAR Maroon
- BLU Azul
- ORG Anaranjado
- PWK Rosa
- WHT Blanco
- RED Rojo
- BLK Negro
- MAR Marron
- BLU Bleu
- ORG Alaranjado
- PWK Cor-de-ros
- WHT Branco
- RED Vermelho
- BLK Preto



QUICK MOUNT VISUAL INSTRUCTION MANUAL

SGVL/G2/G3 Linkage with LVK and SVK Series Actuators



WIRING DIAGRAMS

<p>Electronic Fail-Safe Actuator with -3</p> <p>On/Off</p>	<p>Electronic Fail-Safe Actuator with -SR</p> <p>Floating Point</p>	<p>Electronic Fail-Safe Actuator with -SR</p> <p>VDC / 4 to 20 mA</p>
<p>On/Off</p> <p>On/Off</p>	<p>Floating Point</p> <p>Floating Point</p>	<p>VDC / 4 to 20 mA</p> <p>Selector Switches</p>
<p>Triac Sink</p> <p>Triac Sink</p>	<p>Triac Source</p> <p>Triac Source</p>	<p>Triac Sink with Separate Transformer</p> <p>Triac Sink with Separate Transformer</p>
<p>Electronic Fail-Safe Actuator with MFT</p> <p>On/Off</p>	<p>Electronic Fail-Safe Actuator with MFT</p> <p>Floating Point</p>	<p>Notes:</p> <ul style="list-style-type: none"> Meets cULus requirements without the need of an electrical ground connection Actuators with appliance cables are numbered. Actuators may be connected in parallel. Power consumption and input impedance must be observed. Actuators may also be powered by 24 VDC. Only connect common to neg. (-) leg of control circuits. A 500 Ω resistor converts the 4 to 20 mA control signal to 2 to 10 VDC. Control signal may be pulsed from either the Hot (Source) or Common (Sink) 24 VAC line. Contact closures A & B also can be triacs. A & B should both be closed for the triac source and open for triac sink. For triac sink the Common connection from the actuator must be connected to the Hot connection of the controller. Position feedback cannot be used with a triac sink controller. The actuator internal common reference is not compatible. IN4004 or IN4007 diode. (IN4007 supplied, Belimo Part number 40155) Actuators with plenum rated cable do not have numbers on wires; use color codes instead.
<p>VDC / 4 to 20 mA</p> <p>VDC / 4 to 20 mA</p>	<p>Override Control Min, Mid, Max Positions</p> <p>Override Control Min, Mid, Max Positions</p>	<p>Notes:</p> <ul style="list-style-type: none"> Meets cULus requirements without the need of an electrical ground connection Actuators with appliance cables are numbered. Actuators may be connected in parallel. Power consumption and input impedance must be observed. Actuators may also be powered by 24 VDC. Only connect common to neg. (-) leg of control circuits. A 500 Ω resistor converts the 4 to 20 mA control signal to 2 to 10 VDC. Control signal may be pulsed from either the Hot (Source) or Common (Sink) 24 VAC line. Contact closures A & B also can be triacs. A & B should both be closed for the triac source and open for triac sink. For triac sink the Common connection from the actuator must be connected to the Hot connection of the controller. Position feedback cannot be used with a triac sink controller. The actuator internal common reference is not compatible. IN4004 or IN4007 diode. (IN4007 supplied, Belimo Part number 40155) Actuators with plenum rated cable do not have numbers on wires; use color codes instead.

- BRN Brown
- MAI Mairon
- BLU Blue
- MAI Mairon
- ORR Orange
- ANR Anaranjado
- PNK Pink
- ROS Rosado
- WHI White
- BLA Blanco
- RED Red
- ROJ Rojo
- BLK Black
- NEG Negro
- ORR Orange
- ROS Rosado
- WHI White
- BLA Blanco
- RED Red
- ROJ Rojo
- BLK Black
- NEG Negro
- MAI Mairon
- PRE Preto