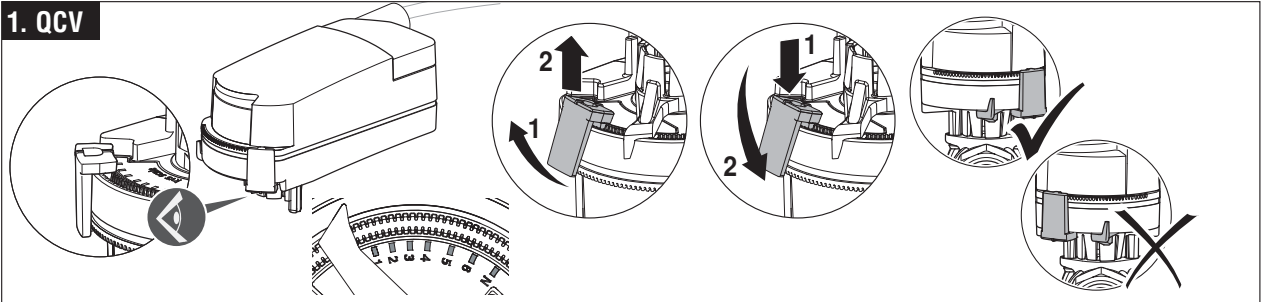


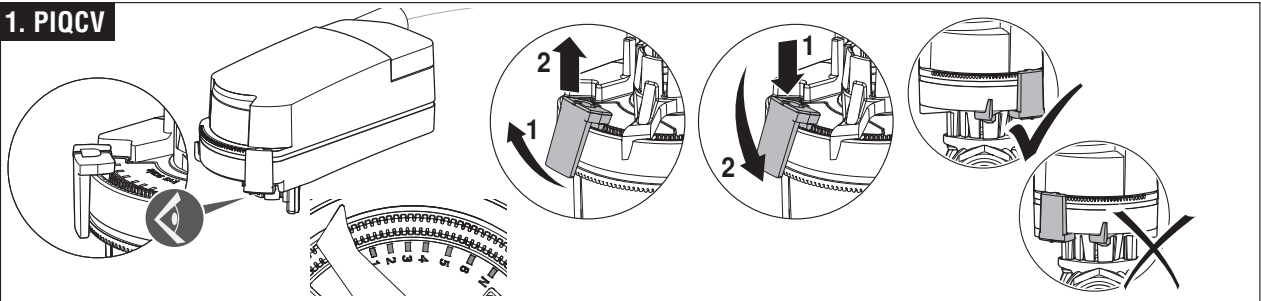
CQK... Actuators with ZoneTight Zone Valves

1. QCV



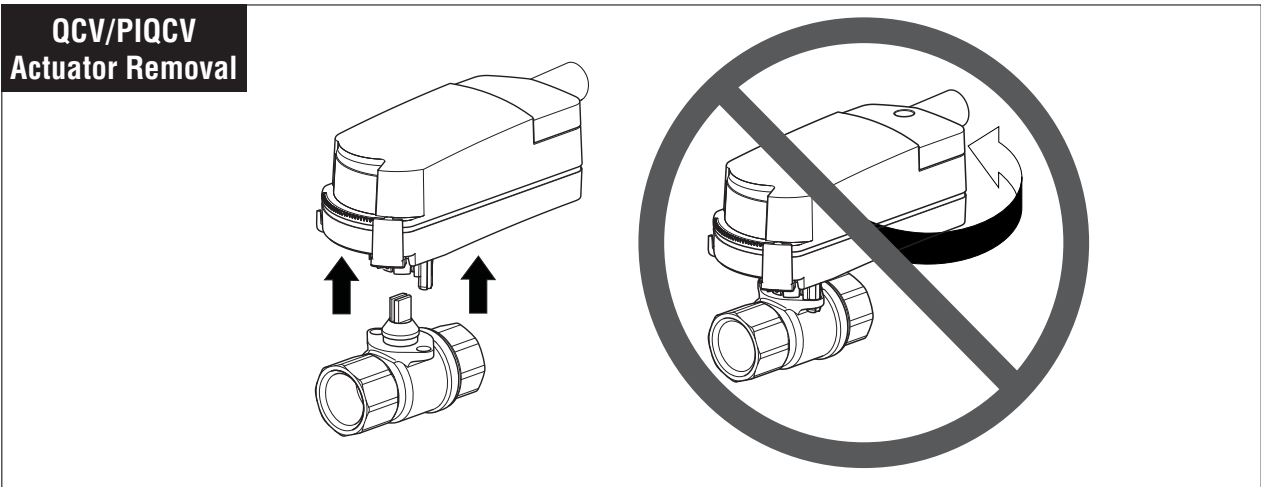
Size	Valve Model	V'max End Stop Positions										V'nom
		1	2	3-	3	4	4+	5	5+	6	N	No end stop
1/2"	Z2050Q(S)-F	0.1		0.2			0.4		0.6	0.8	1.2	1.4
1/2"	Z2050Q(S)-J	0.5	0.7		1.2	1.7		2.4		3	4.8	5.9
3/4"	Z2075Q(S)-K	0.5	1.0		1.5	2.3		3.3		4.6	6.6	9.8
Runtime (seconds)		30	37	41	43	49	51	55	58	62	68	75

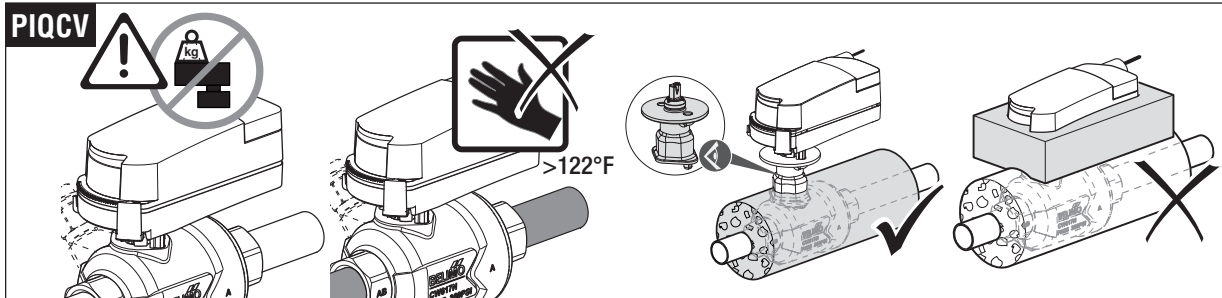
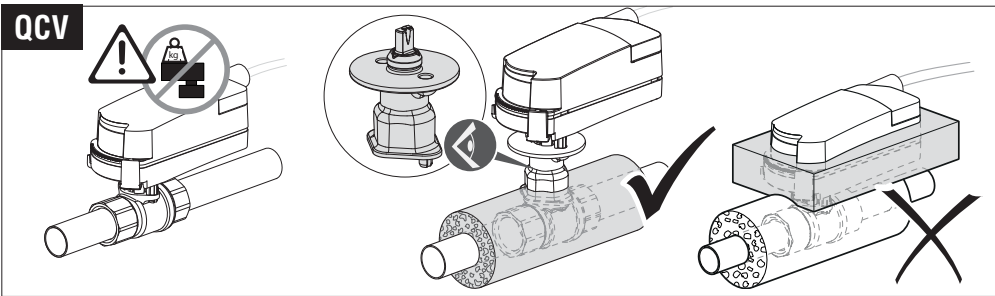
1. PIQCV



Valve Model (1/2")	Clip Position for Flow Adjustment (GPM)																			
	1	1+	2-	2	2+	3-	3	3+	4-	4	4+	5-	5	5+	6-	6	6+	N-	N	No Clip
Z2050QPT-B			0.1					0.2			0.3		0.4		0.5		0.6	0.7	0.8	0.9
Z2050QPT-D	0.2			0.3			0.4	0.5		0.6	0.7	0.8	0.9	1.0	1.2	1.3	1.5	1.6	1.8	2.0
Z2050QPT-F			0.6			0.7	0.8	0.9	1.0	1.3	1.5	1.7	1.9	2.2	2.5	2.8	3.1	3.3	3.6	4.3
Valve Model 3/4"																				
Z2075QPT-G		1.6	1.8	2.1	2.4	2.7	3.0	3.3	3.7	4.0	4.4	4.9	5.3	5.8	6.3	6.7	7.2	7.7	9.0	
Runtime	30	33	35	37	39	41	43	45	47	49	51	53	55	58	60	62	64	66	68	75

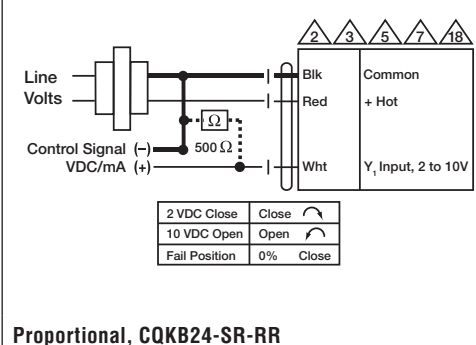
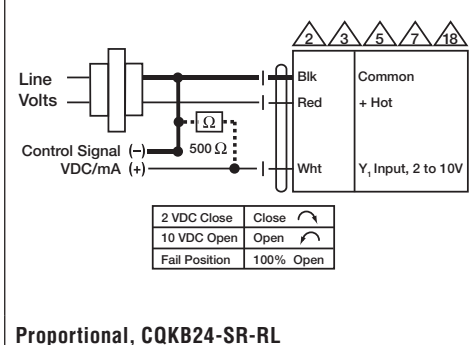
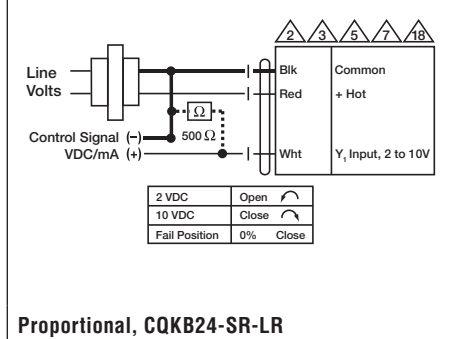
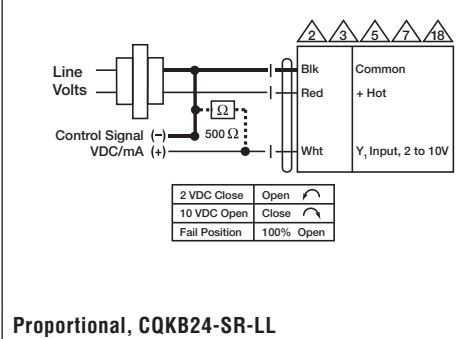
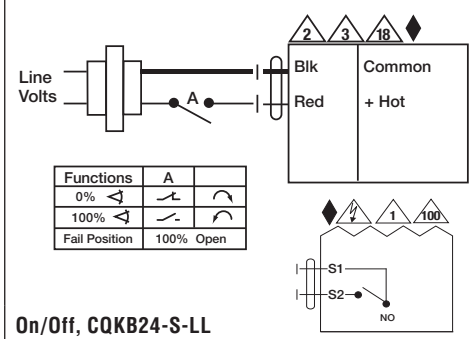
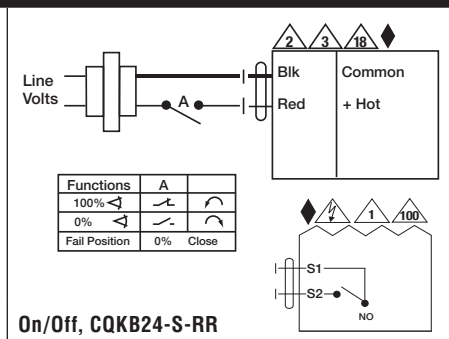
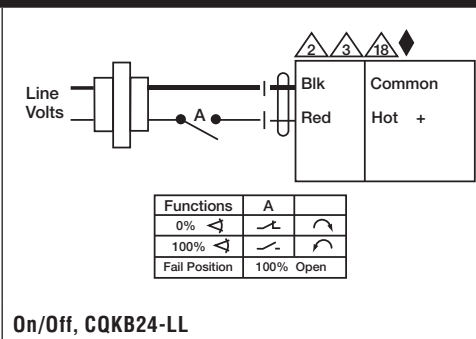
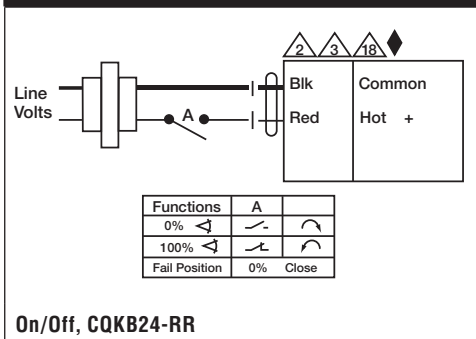
QCV/PIQCV Actuator Removal





WIRING DIAGRAMS

CQK..24V, CQKB24 (-LL) (-RR), CQKB24-S (-LL) (-RR), CQKB24-SR (-LL) (-RR) (-LR) (-RL)



- Notes:**
- ◆ Meets cULus requirements without the need of an electrical ground connection
 - ⚠ Apply only AC line voltage or only UL-Class 2 voltage to the terminals of auxiliary switches. Mixed or combined operation of line voltage/safety extra low voltage is not allowed.
 - ⚠ Provide overload protection and disconnect as required.
 - ⚠ Actuators may be connected in parallel. Power consumption and input impedance must be observed.
 - ⚠ Actuators may also be powered by 24 VDC.
 - ⚠ Only connect common to neg. (-) leg of control circuits.
 - ⚠ A 500 Ω (ZG-R01) converts the 4 to 20 mA control signal to 2 to 10 VDC.
 - ⚠ Actuators with plenum rated cable do not have numbers on wires; use color codes instead.
 - ⚠ One built-in auxiliary switch, 1x SPST 1A @ 24 VAC/DC (resistive load), for end position indication, interlock control, fan startup, etc.

- WHT** White
Blk Black
Red Red
Rojo Rojo
Rouge Rouge
Blanco Branco
Branco Branco
PRETO Preto
Negro Negro
Noir Noir
Vermelho Vermelho