

NKQB24-1, NKQX24-1

On/Off, Electronic Fail-Safe, Direct Coupled, 24V



Technical Data	NKQB24-1, NKQX24-1
Power supply	24VAC ±20% 50/60Hz 24VDC ±10%
Power consumption	11W (3W)
Transformer sizing	22VA (class 2 power source)
Electrical connection	18 GA plenum rated cable ½" conduit connector protected NEMA 2 (IP54) 3 ft [1m] 10 ft [3m] 16 ft [5m]
Overload protection	electronic throughout 0 to 95° rotation
Operation range Y	on/off
Input impedance	1500 Ω
Angle of rotation	max. 95°, adjustable with mechanical stop electronically variable
Torque	54 in-lb [6 Nm]
Direction of rotation	reversible with switch
Fail-safe position	adjustable with dial, 0 to 1 in 10° increments
Position indication	reflective visual indicator (snap-on)
Manual override	external push button
Running time	
normal operation	4 seconds (default), variable 4 to 10 seconds
fail-safe	4 seconds
Humidity	5 to 95% RH non-condensing (EN 60730-1)
Ambient temperature	-22°F to +122°F [-30°C to +50°C]
Storage temperature	-40°F to +176°F [-40°C to +80°C]
Housing	NEMA2, IP54, UL enclosure type 2
Housing material	UL94-5VA
Agency list	cULus acc. to UL 60730-1A/-2-14 CAN/CSA E60730-1:02 CE acc. to 2004/108/EC and 2006/95/EC
Noise level	< 60dB(A)
Servicing	maintenance free
Quality standard	ISO 9001
Weight	2.4 lbs [1.10 kg]
Initial charge	9 to 15 seconds
Bridge time	0 second delay before fail-safe activates

Torque min. 54 in-lb for control damper surfaces up to 12 sq ft.

Application

For on/off, fail-safe control of dampers in HVAC systems. Actuator sizing should be done in accordance with the damper manufacturer's specifications. Control is On/Off from an auxiliary contact or a manual switch. The actuator is mounted directly to a damper shaft up to 1.05" in diameter by means of its universal clamp. A crank arm and several mounting brackets are available for applications where the actuator cannot be direct coupled to the damper shaft.

Operation

The NKQ..24-1 actuator provides 95° of rotation and a visual indicator shows the position of the actuator. When reaching the damper or actuator end position the actuator automatically stops. The gear can be manually disengaged by pressing the black button located on the actuator cover. The NKQ..24-1 actuators use a brushless DC motor, which is controlled by an Application Specific Integrated Circuit (ASIC). The ASIC monitors and controls the actuators rotation and provides a digital rotation sensing (DRS) function to prevent damage to the actuator in a stall condition. Power consumption is reduced in a holding mode. The actuator is electronically protected against overload. The anti-rotation strap supplied with the actuator will prevent lateral movement. Add-on auxiliary switches or feedback potentiometers are easily fastened directly onto the actuator body for signaling and switching functions.

Fail-Safe Indication

LED status indicator lights sequence:

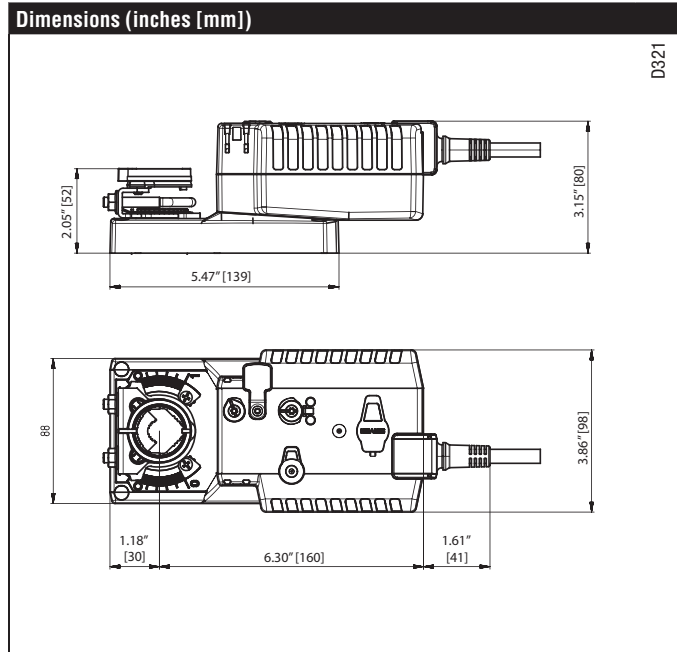
Yellow off / Green on: operation ok, no faults

Yellow off / Green blinking: fail-safe mechanism is active

Yellow on / Green off: fault is detected

Yellow off / Green off: not in operation / capacitors charging

Yellow on / Green on: adaption running



P10412 - 05/13 - Subject to change. © Belimo Aircontrols (USA), Inc.

Accessories	
K-AM25	3/4" [20mm] Shaft Clamp
ZG-102	Multiple Actuator Mounting Bracket
ZG-NMA	Crank arm Adaptor Kit
ZG-JSA (-1,2,3)	Jackshaft Adaptors for Hollow Jackshafts
ZS-100	Weather Shield - Steel
ZS-150	Weather Shield - Polycarbonate
ZS-260	Explosion Proof Housing
Tool-06	8 and 10 mm Wrench
PS-100	Actuator Power Supply Simulator
S1A, S2A	Auxiliary Switch(es)
P370	Shaft Mount Auxiliary Switch
P...A	Feedback Potentiometers
ZG-X40	Transformer

Note: When using NKQB24-1 and NKQX24-1 actuators, only use accessories listed on this page.

Typical Specification

On/off control damper actuators shall be electronic direct-coupled type, which require no crank arm and linkage and be capable of direct mounting to shaft up to 1.05" diameter. Actuators shall have Brushless DC motor technology and be protected from overload at all angles of rotation. Actuators shall have reversing switch and manual override on the cover. Run time shall be constant and independent of torque. Actuators shall be cULus listed, have a 5-year warranty, and be manufactured under ISO 9001 International Quality Control Standards. Actuators shall be as manufactured by Belimo.

Wiring Diagrams

✂️ INSTALLATION NOTES

- 1 Provide overload protection and disconnect as required.
- 2 **CAUTION Equipment Damage!**
Actuators may be connected in parallel if not mechanically mounted to the same shaft. Power consumption and input impedance must be observed.
- 3 Actuators may also be powered by 24 VDC.

📄 APPLICATION NOTES

- ◆ Meets UL requirements without the need of an electrical ground connection.
- ⚠️ **WARNING Live Electrical Components!**
During installation, testing, servicing and troubleshooting of this product, it may be necessary to work with live electrical components. Have a qualified licensed electrician or other individual who has been properly trained in handling live electrical components perform these tasks. Failure to follow all electrical safety precautions when exposed to live electrical components could result in death or serious injury.

