



Features & Options

- Easy to Access Field Adjustable Setpoint from 0.1" to 35" W.C.
- UL 353 Listing So the Unit Can Be Used for Safety Controls
- 5 Amp Silver Contacts
- Built In Pressure Snubber for More Stable Readings

The BAPI Differential Pressure Switch is ideal for air filter monitoring, static pressure proving, airflow proving or auxiliary fan actuation. Because of its UL 353 Limit Control Listing, the BAPI Switch can be used in safety circuits to protect heating appliances, heating systems, processing systems and HVAC/R systems.

The setpoint is field adjustable from 0.1" to 35" W.C, and the unit can measure positive pressure, vacuum or true differential pressure. The seven pressure ranges are field selectable by changing a color-coded spring. The spring for the range that you order is preinstalled, and the other six springs are shipped with the unit so that you can change ranges in the field if you choose.


The unit features a rugged plastic enclosure that protects the electrical terminations and pressure adjustment screw which is easily accessed through a port in the front cover using a square screwdriver bit (BA/SQ1BIT). The quick connect wiring terminations are accessed by opening the hinged cover. The unit is very compact and can be mounted directly on a flat surface with the rugged mounting feet, and the pressure barbs accept 3/16" or 1/4" tubing.

The unit also features an extremely high proof pressure of 100" W.C. so that it will continue to function properly even if it is accidentally connected to an unusually high or low pressure.



Differential Pressure Switch

Ordering Information

Part Number	Description
ZPS-SW1:	Differential Pressure Switch, 0.12" to 0.52" W.C. (30 Pa to 130 Pa)
ZPS-SW2:	Differential Pressure Switch, 0.40" to 1.40" W.C. (100 Pa to 350 Pa)
ZPS-SW3:	Differential Pressure Switch, 1.20" to 2.40" W.C. (300 Pa to 600 Pa)
ZPS-SW4:	Differential Pressure Switch, 2.40" to 6.42" W.C. (600 Pa to 1,600 Pa)
ZPS-SW5:	Differential Pressure Switch, 5.22" to 12.84" W.C. (1,300 Pa to 3,200 Pa)
ZPS-SW6:	Differential Pressure Switch, 11.64" to 23.68" W.C. (2,900 Pa to 5,900 Pa)
ZPS-SW7:	Differential Pressure Switch, 21.68" to 35.32" W.C. (5,400 Pa to 8,800 Pa)
BA/SQ1BIT:	Square Screwdriver Bit to turn the Pressure Adjustment Screw 

Specifications

Measurement Media: Air, Combustion Gases
Operating Temperature: -40 to 185°F (-40 to 85°C)
Operating Humidity: 5 to 95% RH non-condensing
Contact Ratings: 28 VA pilot duty, 24 VAC
 1/10 HP, 120-277 VAC
 125 VA Pilot Duty, 125 VAC
 2.5 A Inductive, 125 VAC
 5 A Resistive, 125 VAC
 0.1 A, 30 VDC

Proof Pressure: 100" W.C. (3.6 PSI, 24,900 Pa)

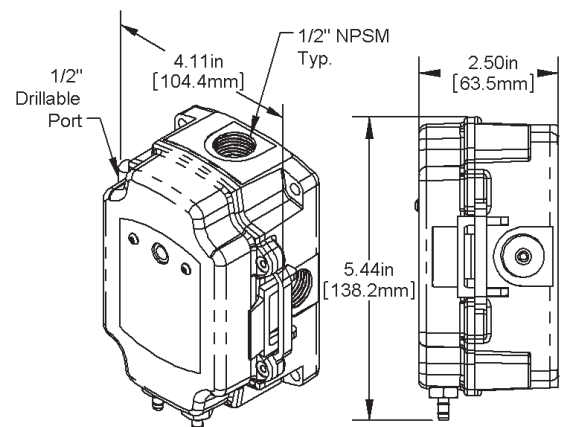
Pressure Ports: 1/4" Barbed Fittings

Switch Type: SPDT (Silver Contacts)

Limit Controls: UL 353 Listed

Repeatability: <10% of Setting

Hysteresis: 0.07 to 0.09 Inch W.C. For All Ranges



Differential Pressure Switch

