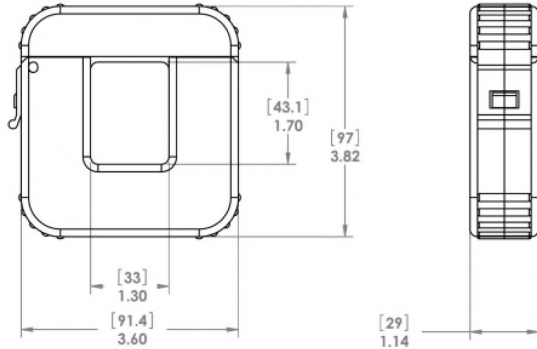


**CURRENT TRANSFORMERS**

**CTA4 Series**

Enclosed Self-Powered Split Core 100, 200, 400, and 600 Amp Revenue Grade Current Transformers with 333 mV Output.



**SPECIFICATIONS**

- Environment:** Indoor Use Only  
5 to 176° F (-15 to 80°C)  
90% relative humidity
- Wires:** 6', 18 AWG, 600V Rated
- Phase Direction:** Arrow points toward Load
- Secondary Output:** 0.333 Vac
- Accuracy:** 0.5% (typical)
- Linearity:** 10%-120%
- Polarity:** White-Hi, Black-Low
- Frequency range:** 40-400 Hz
- Max Sense Voltage:** 600 Vac
- Approvals:** ETL Listed, CE, RoHS

CTA4 SERIES				
Model #	Primary Input (A)	Secondary Output (V)	Ratio	Accuracy %
CT-100A4-333	100	0.333	100A/0.333V	0.5
CT-200A4-333	200	0.333	200A/0.333V	0.5
CT-400A4-333	400	0.333	400A/0.333V	0.5
CT-600A4-333	600	0.333	600A/0.333V	0.5