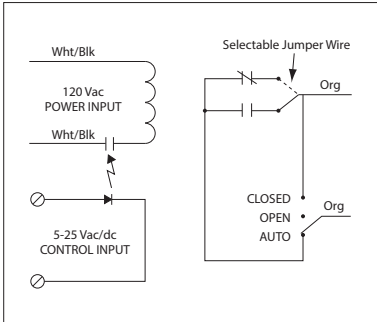
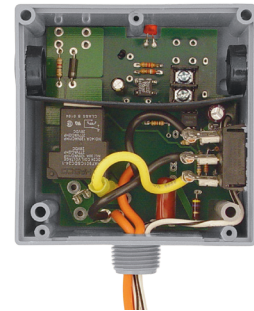


**LOW COIL INPUT RELAY**

**RIBTE01SB**

Low Input/Optoisolated Relay, 20 Amp SPST + Override,  
 120 Vac/dc Power Input, 5-25 Vac/dc Control Input, Hi/Lo  
 Voltage Separation, NEMA 1 Housing



**SPECIFICATIONS**

- Power Input:** 120 Vac, 50-60 Hz
- Control Input:** 5-25 Vac/dc, 50-60 Hz
- # Relays & Contact Type:** One (1) SPST Continuous Duty Coil
- Expected Relay Life:** 10 million cycles minimum mechanical
- Operating Temperature:** -30 to 140° F
- Humidity Range:** 5 to 95% (noncondensing)
- Operate Time:** 18ms
- Relay Status:** LED On = Activated
- Dimensions:** 4.00"H x 4.00"W x 1.81"D with 0.50" NPT nipple
- Housing Detail:** See **Housing C** in housing guide for dimensions
  - Origin:** Made of US and non-US parts
  - Wires:** 16", 600V Rated
- Approvals:** UL Listed, UL916, C-UL,CE, RoHS
- Housing Rating:** UL Accepted for Use in Plenum, NEMA 1
- Gold Flash:** No
- Override Switch:** Yes

- Contact Ratings:**
  - 20 Amp Resistive @ 277 Vac
  - 1110 VA Pilot Duty @ 277 Vac
  - 770 VA Pilot Duty @ 120 Vac
  - 20 Amp Ballast @ 277 Vac (N/O)
  - 10 Amp Ballast @ 277 Vac (N/C)
  - Not rated for Electronic Ballast*
  - 10 Amp Tungsten @ 120 Vac (N/O)
  - 240 Watt Tungsten @ 120 Vac (N/C)
  - 2 HP @ 277 Vac
  - 1 HP @ 120 Vac

- Power Input Ratings:**
  - 47 mA @ 120 Vac

- Control Input Ratings:**
  - .4 mA @ 5 Vdc
  - .9 mA @ 10 Vdc
  - 1 mA @ 12 Vdc
  - 2 mA @ 24 Vdc
  - 3 mA @ 24 Vdc (Non Polarized)

- Notes:**
  - Normally Open or Normally Closed selected by yellow jumper wire