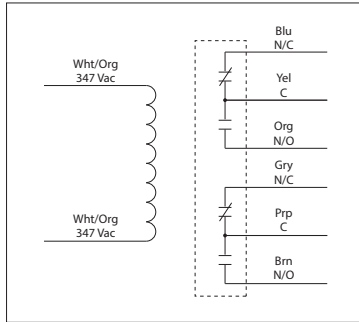


20 AMP POWER CONTROL RELAYS

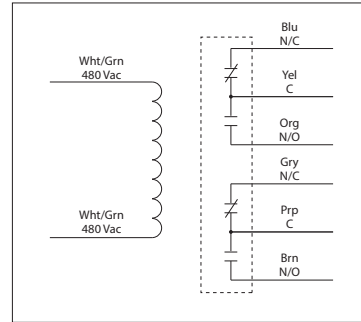
RIB347P

Power Relay, 20 Amp DPDT, 347 Vac Coil, NEMA 1 Housing



RIB04P

Power Relay, 20 Amp DPDT, 480 Vac Coil, NEMA 1 Housing



SPECIFICATIONS

- # Relays & Contact Type:** One (1) DPDT Continuous Duty Coil
- Expected Relay Life:** 10 million cycles minimum mechanical
- Operating Temperature:** -30 to 140° F
- Humidity Range:** 5 to 95% (noncondensing)
- Operate Time:** 18ms
- Relay Status:** LED On = Activated
- Dimensions:** 4.000"H x 4.000"W x 1.810"D with .50" NPT Nipple
- Housing Detail:** See **Housing C** in housing guide for dimensions
- Origin:** Made of US and non-US parts
- Wires:** 16", 600V Rated
- Approvals:** UL Listed, UL916, C-UL, CE, RoHS (Both Models)
UL864, California State Fire Marshal (RIB04P)
- Housing Rating:** UL Accepted for Use in Plenum, NEMA 1
- Gold Flash:** Yes
- Override Switch:** No

- Contact Ratings:**
- 20 Amp Resistive @ 300 Vac
- 20 Amp Resistive @ 28 Vdc
- 20 Amp Ballast @ 277-480 Vac
- 15 Amp Resistive @ 600 Vac
- Not rated for Electronic Ballast*
- 770 VA Pilot Duty @ 120 Vac
- 1,158 VA Pilot Duty @ 240 Vac
- 1,109 VA Pilot Duty @ 277 Vac
- 1,640 VA Pilot Duty @ 480 Vac
- Heavy Pilot Duty @ 600 Vac
- 3 HP @ 480-600 Vac
- 2 HP @ 240-277 Vac
- 1 HP @ 120 Vac

- Coil Current:**
- 105 mA @ 347 Vac (RIB347P)
- 105 mA @ 480 Vac (RIB04P)

- Coil Voltage Input:**
- RIB347P
- 347 Vac ; 50-60 Hz
- Drop Out = 70 Vac
- Pull In = 295 Vac

- RIB04P
- 480 Vac ; 50-60 Hz
- Drop Out = 140 Vac
- Pull In = 340 Vac