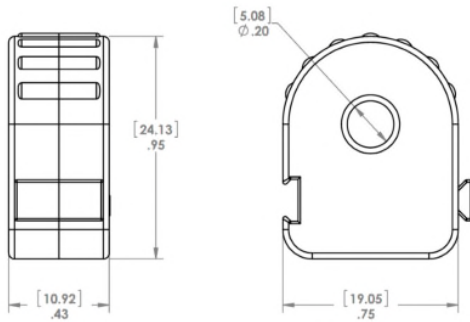


CURRENT TRANSFORMERS

CTSA20 Series

Enclosed Self-Powered Solid Core 5 & 30 Amp Current Transformers with 333 mV Output.



SPECIFICATIONS

- Environment:** Indoor Use Only
5 to 176° F (-15 to 80°C)
90% relative humidity
- Wires:** 2', 22 AWG, 600V Rated
- Primary Input:** 30A max. AC 50/60 Hz
- Secondary Output:** 0.333 Vac
- Accuracy:** 0.2% (typical)
- Linearity:** 10%-120%
- Polarity:** White-Hi, Black-Low
- Frequency range:** 40-400 Hz
- Max Sense Voltage:** 600 Vac
- Approvals:** ETL Listed, CE, RoHS

| CTSA20 SERIES | | | | |
|---------------|-------------------|----------------------|------------|----------|
| Model # | Primary Input (A) | Secondary Output (V) | Ratio | Accuracy |
| CTS-05A20-333 | 5 | 0.333 | 5A/0.333V | 0.2% |
| CTS-30A20-333 | 30 | 0.333 | 30A/0.333V | 0.2% |