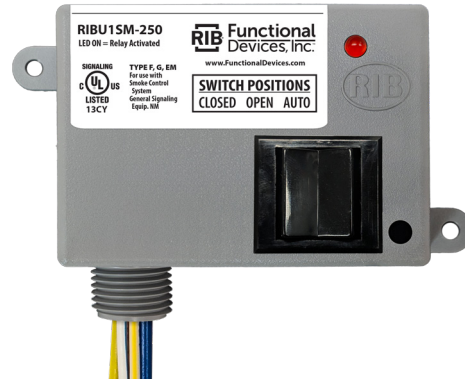
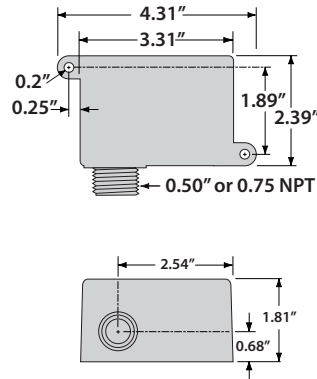
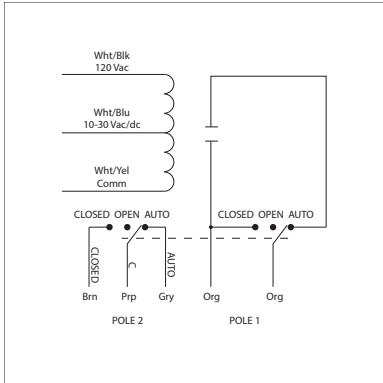


**10 AMP PILOT CONTROL RELAY**

**RIBU1SM-250**

Pilot Relay, 10 Amp SPST-N/O + Override + Monitor, 10-30 Vac/dc/120 Vac Coil, NEMA 1 Housing



**SPECIFICATIONS**

**# Relays & Contact Type:** One (1) SPST Continuous Duty Coil  
**Expected Relay Life:** 10 million cycles minimum mechanical  
**Operating Temperature:** -30 to 140° F  
**Humidity Range:** 5 to 95% (noncondensing)  
**Operate Time:** 20ms  
**Relay Status:** LED On = Activated  
**Dimensions:** 2.39"H x 3.31"W x 1.81"D with 0.50" NPT hub  
**Origin:** Made of US and non-US parts  
**Wires:** 16", 600V Rated  
**Approvals:** UL Listed, UL916, C-UL, CE, RoHS UL  
**Housing Rating:** Accepted for Use in Plenum, NEMA 1  
**Gold Flash:** Yes  
**Override Switch:** Yes + Monitor

**Contact Ratings:**  
 10 Amp Resistive @ 120/250 Vac  
 345 VA Pilot Duty @ 120/240 Vac  
 211 VA Pilot Duty @ 120/240 Vac  
 1/3 HP @ 120-240 Vac (N/O)  
 1/6 HP @ 120-240 Vac (N/C)

**Coil Voltage Input:**  
 10-30 Vac/dc ; 120 Vac ; 50-60 Hz  
 Drop Out = 2.1 Vac / 2.8 Vdc  
 Pull In = 9 Vac / 10 Vdc

**Coil Current:**  
 55 mA @ 30 Vac  
 28 mA @ 120 Vac  
 20 mA @ 30 Vdc

**Notes:**  
 Second pole of override switch can be connected to digital-in of controller to report position of override switch

Rating of second pole is 250 Vac max and 5 Amp max

Order Normally Closed by adding "-NC" to end of model number