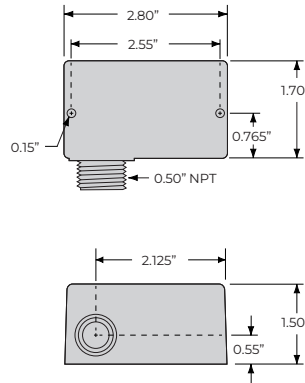
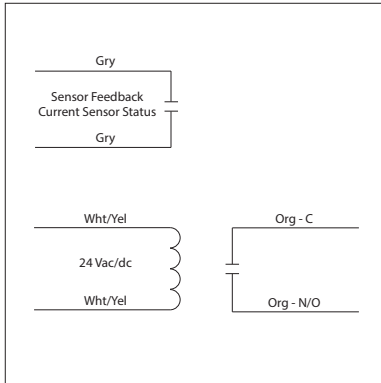


**RELAY & AC CURRENT SWITCH COMBO**

**RIBHX24BF**

Enclosed Relay 20Amp SPST 24Vac/dc Internal Fixed AC Sensor



**SPECIFICATIONS**

**Expected Relay Life:** 10 million cycles minimum mechanical  
**Operating Temperature:** -30 to 140° F  
**Humidity Range:** 5 to 95% (noncondensing)  
**Operate Time:** 20ms  
**Relay Status:** Red LED On = Activated  
**Current Sensor Status:** Pink LED On = Current Over Trip Point (0.25 Amp)  
**Dimensions:** 1.70" x 2.80" x 1.50" with .50" NPT hub  
**Wire Length:** 16", 600V Rated  
**Approvals:** UL Listed, UL916, C-UL, CE, RoHS  
**Housing Rating:** UL Accepted for Use in Plenum, NEMA 1  
**Gold Flash:** No  
**Sensor Type:** Internal, with contact status  
**Sensor Threshold:** Fixed, 0.25 Amp  
**Sensor Range:** .25-20 Amps  
**Sensor Feedback Output:** Solid State Contact 30 Vac/dc, 100 mA

**Contact Ratings:**  
 20 Amp Resistive @ 277 Vac  
 20 Amp Ballast @ 277 Vac  
 16 Amp Electronic Ballast @ 277 Vac (N/O)  
 10 Amp Tungsten @ 120 Vac (N/O)  
 1,110 VA Pilot Duty @ 277 Vac  
 770 VA Pilot Duty @ 120 Vac  
 2 HP @ 277 Vac  
 1 HP @ 120 Vac

**Coil Current:**  
 128 mA @ 24 Vac  
 71 mA @ 30 Vdc  
**Coil Voltage Input:**  
 24 Vac ; 50-60 Hz  
 Drop Out = 3 Vac  
 Pull In = 18 Vac

**Sensor Contact:**  
 • When current sensor status is off (open), leakage <30 uA @ 30Vac/dc  
 • When current sensor status is on (closed), voltage drop <.3 Vac/dc @ .1 Amp

**Notes:**



Order RIBHX24BF-RD for red enclosure



Order RIBHX24BF-N4 for NEMA4X enclosure (UL508 only)