

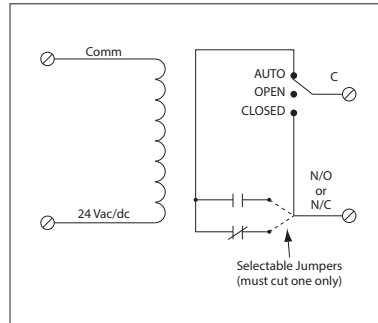
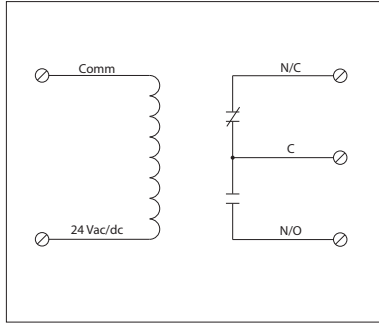
**15 AMP PILOT CONTROL TRACK MOUNT RELAYS**

**RIBMN24C-4T**

Four Pilot Relays, 15 Amp SPDT, 24 Vac/dc Coil, 2.75" x 6.00" Track Mount

**RIBMN24S-4T**

Four Pilot Relays, 15 Amp SPST + Override, 24 Vac/dc Coil, 2.75" x 6.00" Track Mount



**SPECIFICATIONS**

**# Relays & Contact Type:** Four (4) SPDT Continuous Duty Coils (RIBMN24C-4T)  
 Four (4) SPST Continuous Duty Coils (RIBMN24S-4T)

**Expected Relay Life:** 10 million cycles minimum mechanical

**Operating Temperature:** -30 to 140° F

**Humidity Range:** 5 to 95% (noncondensing)

**Operate Time:** 6ms

**Relay Status:** LED On = Activated

**Dimensions:** 1.25"H x 2.75"W x 1.25"D1/1.75"D2 (RIBMN24C-4T)  
 1.25"H x 2.75"W x 1.25"D1/1.75"D2 (RIBMN24S-4T)

**Housing Detail:** See **Housing H** in housing guide for dimensions

**Origin:** Made of US and non-US parts

**Track Mount:** 2.750" x 6.000"; MT212-6 Mounting Track Included

**Approvals:** UL Listed, UL916, C-UL, CE, RoHS  
 UL864, California State Fire Marshal

**Gold Flash:** No

**Override Switch:** No (RIBMN24C-4T) ; Yes (RIBMN24S-4T)

**Contact Ratings:**

- 15 Amp General Use @ 125 Vac
- 10 Amp General Use @ 277 Vac
- 10 Amp Resistive @ 30 Vdc (N/O)
- 7 Amp Resistive @ 30 Vdc (N/C)
- 1/2 HP @ 125 Vac
- 1 HP @ 250 Vac
- 1/4 HP @ 277 Vac
- C300 Pilot Duty

**Coil Current:**

- 26 mA @ 20 Vac
- 31 mA @ 24 Vac
- 48 mA @ 35 Vac
- 14 mA @ 20 Vdc
- 18 mA @ 24 Vdc
- 28 mA @ 35 Vdc

**Coil Voltage Input:**

- 24 Vac/dc ; 50-60 Hz
- Drop Out = 3 Vac / 3.8 Vdc
- Pull In = 20 Vac / 20 Vdc

**Notes:**

- Must cut appropriate jumper to select Normally Open or Normally Closed (RIBMN24S-4T)