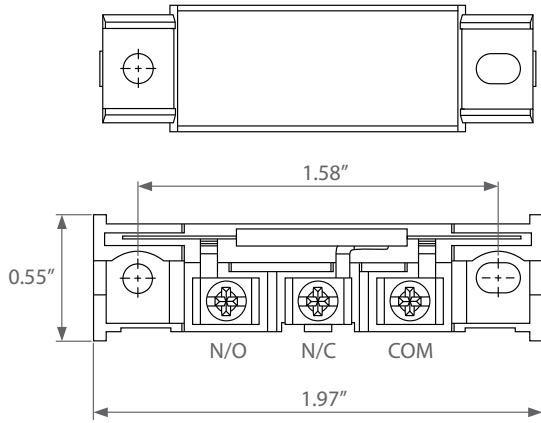
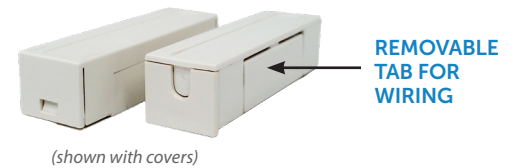


**ACLCMAGSM**

Surface Mount Magnetic Switch, Form C (SPDT)



**MAGNETIC SWITCH FOR CLOSET LIGHT CONTROLLERS**



**Specifications**

Switching Voltage (Max): 30 Vac/dc  
Switching Current (Max): 0.2 Amp  
Operating Gap: 0 - 1.125"

Terminal Normal State	Door Closed	Door Open
Common	COM	COM
N/O	N/O	N/O
N/C	N/C	N/C