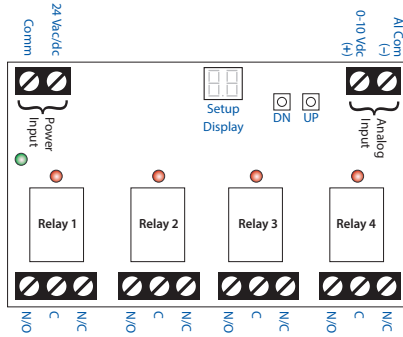


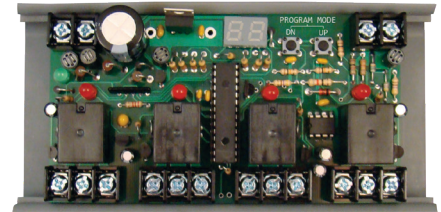
I/O EXPANDER

RIBMN24Q4C-PX

2.75" Track Mount 4 Output Field Adjustable Staging Threshold Relay Module with 24 Vac/dc Power and 0-10 Vdc Control Input



- CONTROL FOUR RELAY OUTPUTS WITH ONE (0-10 VDC) ANALOG SIGNAL FROM CONTROLLER OR THERMOSTAT
- CAPABILITY TO SET DESIRED ON AND OFF VOLTAGES FOR EACH RELAY
- NO POTS TO ADJUST
- NO NEED FOR VOLT METER FOR SETUP
- ON BOARD "FIELD SELECTABLE" DIGITAL DISPLAY



SPECIFICATIONS

- # Relays & Contact Type: Four (4) SPDT Continuous Duty Coil
- Expected Relay Life: 10 million cycles minimum mechanical
- Operating Temperature: -30 to 140° F
- Humidity Range: 5 to 95% (noncondensing)
- Power Status: Green LED On = Power On
- Relay Status: Red LED On = Relay Activated
- Heartbeat Status: **Right-most decimal point**
- Dimensions: 4.950" x 2.750" x 1.750"
- Track Mount: MT212-6 Mounting Track Provided
- Approvals: UL Listed, UL916, C-UL, CE, RoHS
- Gold Flash: No
- Override Switch: No

- Contact Ratings:**
- 15 Amp General Use @ 125 Vac
- 10 Amp General Use @ 277 Vac
- 10 Amp Resistive @ 30 Vdc (N/O)
- 7 Amp Resistive @ 30 Vdc (N/C)
- 1/2 HP @ 125 Vac
- 1 HP @ 250 Vac
- 1/4 HP @ 277 Vac
- 470 VA Pilot Duty @ 125 Vac
- 770 VA Pilot Duty @ 250 Vac
- Power Input:**
- 24 Vac/dc ; 50-60 Hz
- 200mA max.

- Notes:**
- For AC applications, an isolation transformer, to be used solely for the power input, is recommended.
- Relay will activate when control signal voltage reaches or exceeds individual relay ON point. Relay will deactivate when control voltage reaches or drops below individual OFF point.
- Factory relay ON / OFF voltages: • Relay 1: 3V / 2.8V
- Relay 2: 5V / 4.8V • Relay 3: 7V / 6.8V • Relay 4: 9V / 8.8V
- Minimum ON point: 0.5V • Maximum ON point: 9.9V
- Minimum OFF point: 0.3V
- Relay number will flash 3 times when voltage exceeds setpoint.
- Pressing UP or DN button in normal run mode will display the voltage present on Analog Input.
- ON/OFF points can be changed at any time, by the user, by entering "Program Mode"
- User defined ON/OFF points will be maintained upon power loss.