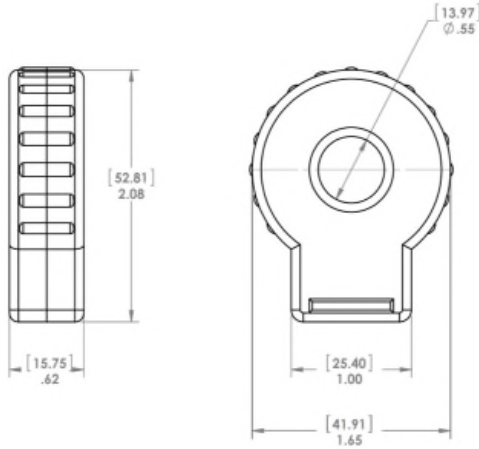


CURRENT TRANSFORMERS

CTSA55 Series

Enclosed Self-Powered Solid Core 100 Amp Revenue Grade Current Transformers with 333 mV Output.



SPECIFICATIONS

- Environment:** Indoor Use Only
5 to 176° F (-15 to 80°C)
90% relative humidity
- Wires:** 6', 22 AWG, 600V Rated
- Phase Direction:** Arrow points toward Load
- Secondary Output:** 0.333 Vac
- Accuracy:** 0.2% (typical)
- Linearity:** 10%-120%
- Polarity:** White-Hi, Black-Low
- Frequency range:** 40-400 Hz
- Max Sense Voltage:** 600 Vac
- Approvals:** ETL Listed, CE, RoHS

CTSA55 SERIES				
Model #	Primary Input (A)	Secondary Output (V)	Ratio	Accuracy %
CTS-100A55-333	100	0.333	100A/0.333V	0.2