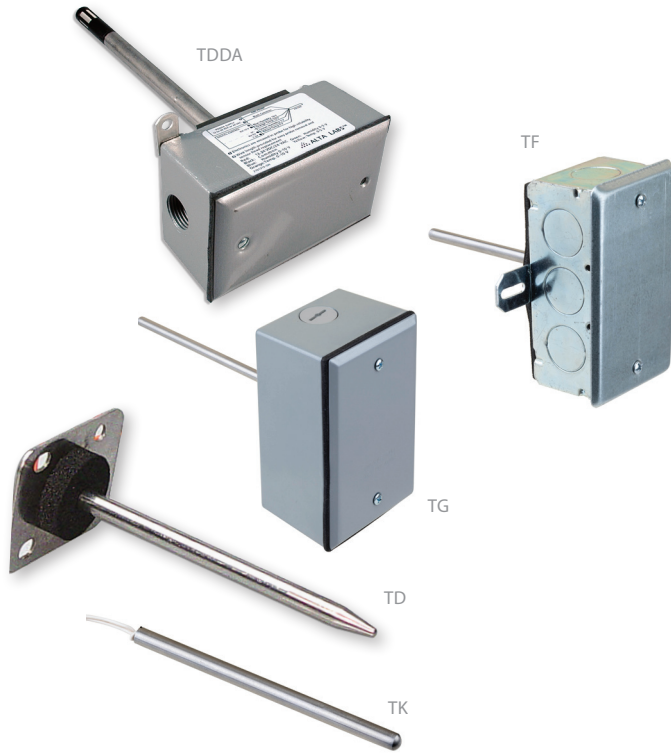


T SERIES

Sensor Housed in Probe, Protects Against Corrosion



Duct mount temperature sensors from Veris are pre-calibrated and housed in sturdy stainless steel probes. The devices are easy to install, durable, and highly accurate.

SPECIFICATIONS

Wiring	22 AWG; 2-wire: RTD/Thermistor, 4 to 20 mA
Mounting Location	Not suitable for wet locations. For indoor use only.

TEMPERATURE TRANSMITTER OPTION

Input Power	4 to 20 mA models: Loop powered Class 2, 12 to 30 Vdc only, 30 mA max; 0-5/0-10 V models: Class 2, 12 to 30 Vdc/24 Vac, 50/60 Hz, 15 mA max
Temp. Output	2-wire, loop powered 4 to 20 mA 3-wire, 0-5V/0-10Vdc
Sensor Type	Solid-state, integrated circuit
Transmitter Accuracy	±0.5 °C (±0.9 °F) typical*
Ranges	Selectable 0 to 50 °C (32 to 122 °F) or -40 to 50 °C (-40 to 122 °F)

RESISTIVE OPTION

Operating Temp	-25 to 105 °C (-13 to 221 °F)
----------------	-------------------------------

WARRANTY

Limited Warranty	5 years
------------------	---------

AGENCY APPROVALS



*Room temperature offset documented on each unit.

Cost effective

Cost-effective, high accuracy thermistors or RTDs available with or without a junction box

Durable

Corrosion resistant stainless steel probe design

No calibration

No calibration required

APPLICATIONS

- Duct systems
- Industrial

ORDERING INFORMATION

RTD/Thermistor Models

Enclosure	Immersion Probe Length "L"	Sensor Type	Output	Calibration Certificate
T			RØ	
D = Duct K = Probe only (no mounting hardware) F = Duct with mounting box G = Duct with water resistant housing	B = 4" (102mm)* C = 6" (152mm) D = 8" (203mm) E = 12" (305mm)** F = 18" (457mm)** G = 24" (610mm)** K = 36" (914mm)**	B = 100R platinum, RTD C = 1k platinum, RTD D = 10k T2, Thermistor E = 2.2k, Thermistor F = 3k, Thermistor H = 10k T3, Thermistor I = 1k Balco (Nickel-iron) RTD J = 10k Dale, Thermistor K = 10k w/11k shunt, Thermistor M = 20k NTC, Thermistor N = 1800 ohm, Thermistor T = 100k, Thermistor W = 10k T2 high accuracy, Thermistor Y = 10k T3 high accuracy, Thermistor	= Resistive Output	0 = None 2 = 3-point NIST calibration
* TK model is 4 1/2" (115 mm) ** Not available with TK model				
Example: T D B D RØ 2				

Transmitter Models

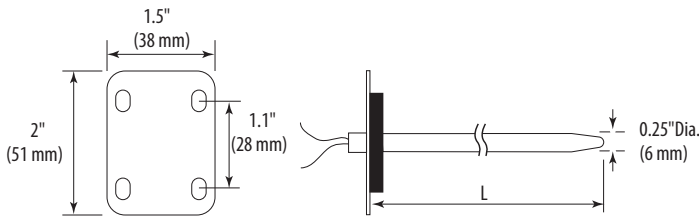
Output	Range	Cal Certificate	Example:
TDDA			TDDA V 2 0
M = 4 to 20mA V = 5/10 V	1 = -40 to 50 °C (-40 to 122 °F) 2 = 0 to 50 °C (32 to 122 °F)	0 = None 2 = 3-point NIST certification	

ACCESSORIES

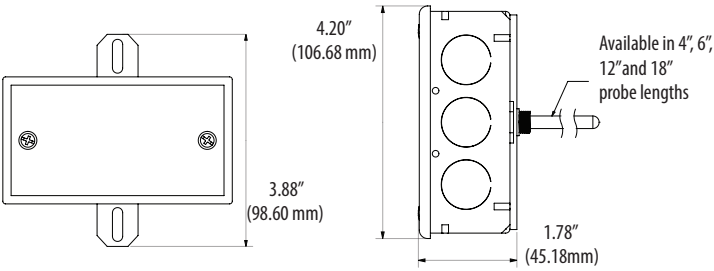
AA64 Klipet Mounting Clip



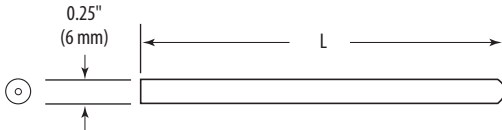
TD
Dimensional Drawing



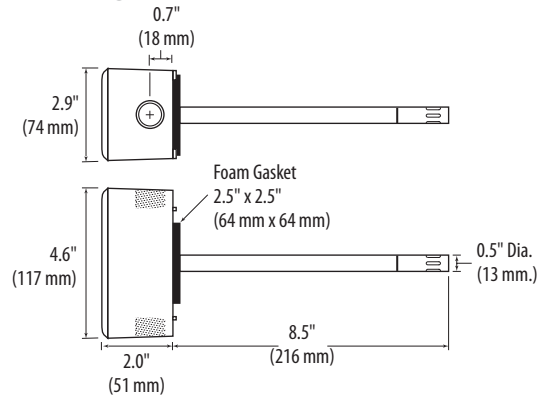
TF
Dimensional Drawing



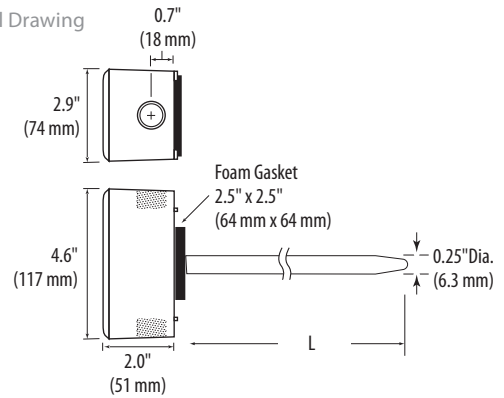
TK
Dimensional Drawing



TDDA
Dimensional Drawing



TG
Dimensional Drawing



STANDARD RTD AND THERMISTOR VALUES

Class	Pt RTD		Balco RTD		THERMISTOR							High Accuracy	
	100 Ohm	1000 Ohm	1000 Ohm	2.2k	3k	10k Type 2	10k Type 3	10k Dale	20k	100k	10k Type 2	10k Type 3	
Accuracy	±0.3°C	±0.3°C	±1% @70°C	±0.2°C	±0.2°C	±1.0°C	±0.2°C	±0.2°C	Consult	Consult	±0.1°C 20/70°C	±0.1°C	
Temp. Response*	PTC	PTC	PTC	NTC	NTC	NTC	NTC	NTC	NTC	NTC	NTC	NTC	

*PTC: Positive Temperature Coefficient
*NTC: Negative Temperature Coefficient

STANDARD RTD AND THERMISTOR VALUES (Ohms Ω)

°C	°F	100 Ohm	1000 Ohm	1000 Ohm	2.2k	3k	10k Type 2	10k Type 3	10k Dale	20k NTC	100k	10k Type 2	10k Type 3
-50	-58	80.306	803.06	740.46	154,464	205,800	692,700	454,910	672,300	1,267,600	-	692,700	454,910
-40	-40	84.271	842.71	773.99	77,081	102,690	344,700	245,089	337,200	643,800	3,366,000	344,700	245,089
-30	-22	88.222	882.22	806.02	40,330	53,730	180,100	137,307	177,200	342,000	1,770,000	180,100	137,307
-20	-4	92.160	921.60	841.00	22,032	29,346	98,320	79,729	97,130	189,080	971,200	98,320	79,729
-10	14	96.086	960.86	877.46	12,519	16,674	55,790	47,843	55,340	108,380	553,400	55,790	47,843
0	32	100.000	1,000.00	913.66	7,373	9,822	32,770	29,588	32,660	64,160	326,600	32,770	29,588
10	50	103.903	1,039.03	952.25	4,487	5,976	19,930	18,813	19,900	39,440	199,000	19,930	18,813
20	68	107.794	1,077.94	991.82	2,814	3,750	12,500	12,272	12,490	24,920	124,900	12,500	12,272
25	77	109.735	1,097.35	1,013.50	2,252	3,000	10,000	10,000	10,000	20,000	100,000	10,000	10,000
30	86	111.673	1,116.73	1,035.18	1,814	2,417	8,055	8,195	8,056	16,144	80,580	8,055	8,195
40	104	115.541	1,155.41	1,077.68	1,199	1,598	5,323	5,593	5,326	10,696	53,260	5,323	5,593
50	122	119.397	1,193.97	1,120.52	811.5	1,081	3,599	3,894	3,602	7,234	36,020	3,599	3,894
60	140	123.242	1,232.42	1,166.13	561.0	747	2,486	2,763	2,489	4,992	24,880	2,486	2,763
70	158	127.075	1,270.75	1,210.75	395.5	527	1,753	1,994	1,753	3,512	17,510	1,753	1,994
80	176	130.897	1,308.97	1,254.55	284.0	378	1,258	1,462	1,258	2,516	12,560	1,258	1,462
90	194	134.707	1,347.07	1,301.17	207.4	-	919	1,088	917	1,833	9,164	919	1,088
100	212	138.506	1,385.06	1,348.38	153.8	-	682	821	679	1,356	6,792	682	821
110	230	142.293	1,422.93	1,397.13	115.8	-	513	628	511	1,016	5,108	513	628
120	248	146.068	1,460.68	1,447.44	88.3	-	392	486	389	770	3,894	392	486
130	266	149.832	1,498.32	1,496.28	68.3	-	303	380	301	591	3,006	303	380
Sensor Codes		B	C	I	E	F	D	H	J	M	T	W	Y

