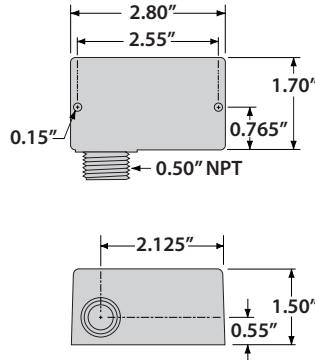
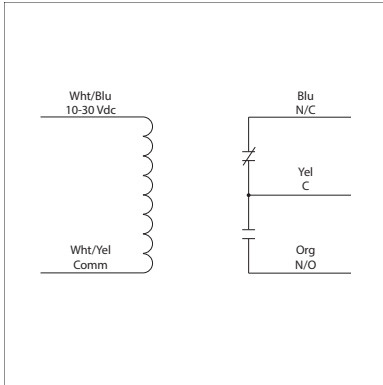


## 10 AMP PILOT CONTROL RELAY

### RIBL1C-DC

Pilot Relay, 10 Amp SPDT, 10-30 Vdc Limited Inrush Coil, NEMA 1 Housing



RIBL1C-DC-N4



RIBL1C-DC-RD

## SPECIFICATIONS

- # Relays & Contact Type:** One (1) SPDT Continuous Duty Coil
- Expected Relay Life:** 10 million cycles minimum mechanical
- Operating Temperature:** -30 to 140° F
- Humidity Range:** 5 to 95% (noncondensing)
- Operate Time:** 20ms
- Relay Status:** LED On = Activated
- Dimensions:** 1.70"H x 2.80"W x 1.50"D with 0.50" NPT hub
- Origin:** Made of US and non-US parts
- Wires:** 16", 600V Rated
- Approvals:** UL Listed, C-UL, CE, RoHS (All models)  
UL916 (RIBL1C-DC)  
UL864, California State Fire Marshal (RIBL1C-DC-RD)  
UL508 (RIBL1C-DC-N4)
- Housing Rating:** UL Accepted for Use in Plenum, NEMA 1
- Gold Flash:** Yes
- Override Switch:** No

- Contact Ratings:**
- 10 Amp Resistive @ 277 Vac
- 10 Amp Resistive @ 28 Vdc
- 480 VA Pilot Duty @ 240-277 Vac
- 480 VA Ballast @ 277 Vac
- Not rated for Electronic Ballast*
- 600 Watt Tungsten @ 120 Vac (N/O)
- 240 Watt Tungsten @ 120 Vac (N/C)
- 1/3 HP @ 120-240 Vac (N/O)
- 1/6 HP @ 120-240 Vac (N/C)
- 1/4 HP @ 277 Vac (N/O)
- 1/8 HP @ 277 Vac (N/C)

- Coil Voltage Input:**
- 10-30 Vdc
- Drop Out = 2.8 Vdc
- Pull In = 10 Vdc

- Coil Current:**
- 13 mA @ 10 Vdc
- 15 mA @ 12 Vdc
- 18 mA @ 24 Vdc
- 20 mA @ 30 Vdc