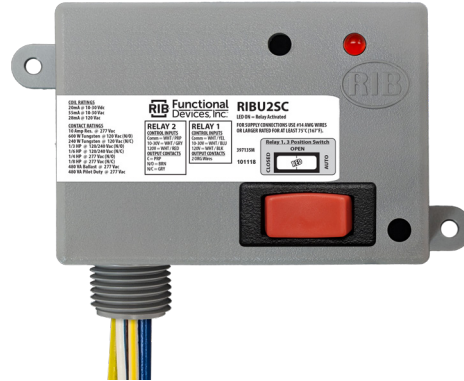
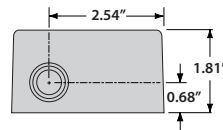
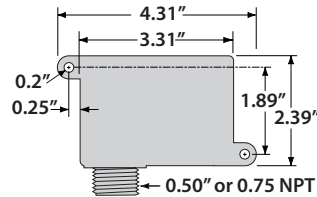
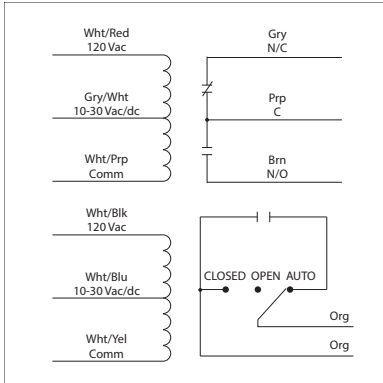


10 AMP PILOT CONTROL RELAY

RIBU25C

Pilot Relays, 10 Amp SPST-N/O + Override + 1 SPDT, 10-30 Vac/dc/120 Vac Coil, NEMA 1 Housing



SPECIFICATIONS

- # Relays & Contact Type:** One (1) SPST + One (1) SPDT Continuous Duty Coil
- Expected Relay Life:** 10 million cycles minimum mechanical
- Operating Temperature:** -30 to 140° F
- Humidity Range:** 5 to 95% (noncondensing)
- Operate Time:** 20ms
- Relay Status:** LED On = Activated
- Dimensions:** 2.39"H x 3.31"W x 1.81"D with 0.75" NPT hub
- Origin:** Made of US and non-US parts
- Wires:** 16", 600V Rated
- Approvals:** UL Listed, UL916, C-UL, CE, RoHS
- Housing Rating:** UL Accepted for Use in Plenum, NEMA 1
- Gold Flash:** Yes
- Override Switch:** Yes

- Contact Ratings:**

 - 10 Amp Resistive @ 277 Vac
 - 480 VA Pilot Duty @ 277 Vac
 - 480 VA Ballast @ 277 Vac
 - Not rated for Electronic Ballast*
 - 600 Watt Tungsten @ 120 Vac (N/O)
 - 240 Watt Tungsten @ 120 Vac (N/C)
 - 1/3 HP @ 120-240 Vac (N/O)
 - 1/6 HP @ 120-240 Vac (N/C)
 - 1/4 HP @ 277 Vac (N/O)
 - 1/8 HP @ 277 Vac (N/C)

- Coil Voltage Input:**

 - 10-30 Vac/dc ; 120 Vac ; 50-60 Hz
 - Drop Out = 2.1 Vac / 2.8 Vdc
 - Pull In = 9 Vac / 10 Vdc

- Coil Current:**

 - 33 mA @ 10 Vac
 - 35 mA @ 12 Vac
 - 46 mA @ 24 Vac
 - 55 mA @ 30 Vac
 - 28 mA @ 120 Vac
 - 13 mA @ 10 Vdc
 - 15 mA @ 12 Vdc
 - 18 mA @ 24 Vdc
 - 20 mA @ 30 Vdc

Note:
Order Normally Closed by adding "-NC" to end of model number