

PANEL FABRICATION

UNIBODY PUSH BUTTONS AND SWITCHES HW SERIES

DESCRIPTION

The IDEC HW Series are IEC style devices that feature tamperproof mounting and construction, modular stackable contact blocks with IP20 fingersafe screw terminals, and pure silver contacts with a self cleaning action. Models include illuminated and non-illuminated pushbuttons in both round and square flush and extended styles.

FEATURES

- Locking lever removable contact blocks
- Non-illuminated or LED illumination
- Self-cleaning rolling action contacts
- IP65 protection



IDEC

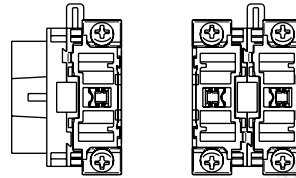


SPECIFICATIONS

Contact Rating	10A, 600 VAC/VDC max.
Contact Resistance	50 mΩ maximum (initial value)
Contact Material	Silver
Electrical Life	500k minimum operations
Protection Rating	NEMA 1, 4, 4X
Applicable Wire Size	
Minimum	1 x 22 AWG
Maximum	2 x 14 AWG or 1 x 12 AWG
Operating Temperature	-13° to 122°F (-25° to 50°C)
Approvals	UL File #E68961; CSA File #LR92374, CE
Warranty	1 year

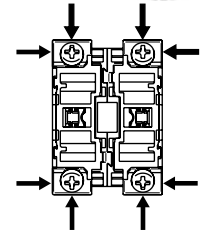
WIRING

Contact Block (Bottom View)



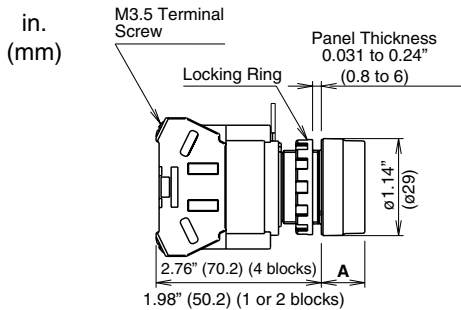
1 contact block 2 contact blocks 4 contact blocks

Terminal Wiring

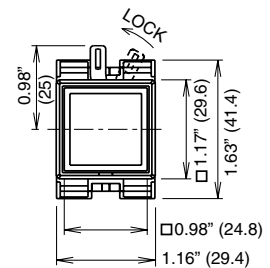
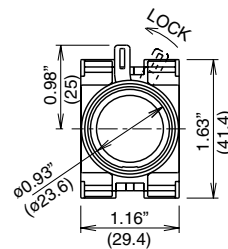


Arrows indicate access directions for wiring.

DIMENSIONS



Dimensions for A	
Flush	0.51" (1.3cm)
Extended	0.75" (1.9cm)
Selector	0.83" (2.1cm)
Key Switch	1.20" (30.5cm)



ORDERING INFORMATION

PUSHBUTTON STYLE

MODEL	DESCRIPTION
HW	22mm Pushbutton
4B	Round Standard
4L	Round Illuminated
2B	Square Standard
2L	Square Illuminated
M	Momentary
A	Maintained
1	Flush Style
2	Extended Style
F†	Contact Blocks
‡	Color Standard
QD‡	Color Illuminated
*D	Illumination Voltage

Example: HW4BM110G

22mm Pushbutton, Round Standard, Momentary, Flush Style, 1 NO, Green

F†	Contacts - HW Series Models	
	10 - 1 NO	20 - 2NO
	01 - 1NC	02 - 2NC
	11 - 1NO & 1NC	22 - 2NO & 2NC

‡	Colors - HW Series Models	
	B - Black	S - Blue
	G - Green	W - White
	R - Red	Y - Yellow

QD‡	Colors - HW Series Models	
	A - Amber	S - Blue
	G - Green	W - White
	R - Red	Y - Yellow
	PW - Pure White	

SWITCH STYLE

MODEL	DESCRIPTION
HW	22mm Model Switch
1S-2T	Selector Switch
1K-2A	Key Switch
†	Contact Blocks

*D	Illumination Voltage	
	6V - AC/DC	120V - AC
	12V - AC/DC	240V - AC
	24V - AC/DC	

Note: All options are not available with all models.