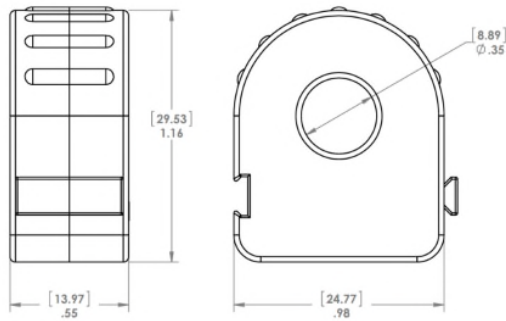


**CURRENT TRANSFORMERS**

**CTSA35 Series**

Enclosed Self-Powered Solid Core 60 Amp Current Transformer with 333 mV Output.



**SPECIFICATIONS**

- Environment:** Indoor Use Only  
5 to 176° F (-15 to 80°C)  
90% relative humidity
- Wires:** 2', 22 AWG, 600V Rated
- Primary Input:** 60A max. AC 50/60 Hz
- Secondary Output:** 0.333 Vac
- Accuracy:** 0.2% (typical)
- Linearity:** 10%-120%
- Polarity:** White-Hi, Black-Low
- Frequency range:** 40-400 Hz
- Max Sense Voltage:** 600 Vac
- Approvals:** ETL Listed, CE, RoHS

CTSA35 SERIES				
Model #	Primary Input (A)	Secondary Output (V)	Ratio	Accuracy%
CTS-60A35-333	60	0.333	60A/0.333V	0.2