



PRESSURE

WET TO WET DIFFERENTIAL PRESSURE TRANSMITTER M230 SERIES

DESCRIPTION

The **Setra Model M230 Differential Pressure Transmitter** is a highly accurate differential pressure transmitter that incorporates a capacitive technology to produce a linear electronic signal proportional to the differential pressure. It will measure differential pressure in unidirectional applications as much as 100 psi and bidirectional applications as much as 50 psi. The stainless steel wetted parts and elastomer seals make this unit ideal for both liquids and gases. The NEMA 4 (IP65) case keeps the internal electronics protected from the environment.



M230-025PD-C



FEATURES

- 0.25% accuracy
- NEMA 4 (IP65) protection
- Stainless steel wetted parts
- Elastomer seals
- High proof pressure
- Current or voltage outputs
- Mounting bracket included

SPECIFICATIONS

Supply Voltage	9-30 VDC @20mA
Current Output	9-30 VDC @20mA
Voltage Output	5V= 9-30 VDC, 10V=13 to 30 VDC @10mA
Signal Output (Volts,Current)	4-20mA loop, 0-10VDC or 0-5VDC per order
Min Voltage Output Impedance	>1KΩ
Max Current Output Impedance	<750Ω @24VDC
Accuracy	±0.25% Full scale
Sensor Type	Capacitance sensor
Adjustments (Z/S)	Zero & Span trim POTs
Normal Measurement Range	0 to 100 psid (See ordering)
Overpressure (Burst)	350 PSIG High port / 250 PSIG Low port
Max Operating Pressure (Proof)	See Proof Pressure table
Operating Temperature	0° to 175°F (-18° to 80°C)
Compensated Temp Range	30° to 150°F (-1° to 65°C)
Operating Humidity	10 to 95% Non-condensing

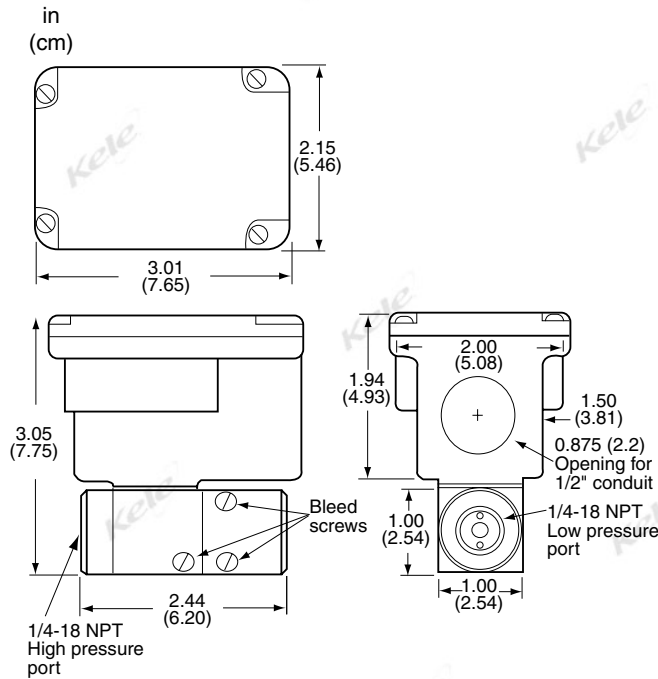
Wetted Parts	17-4 stainless steel w/Viton® & Silicon seals
Media Compatibility	Liquid/Gasses compatible w/17-4 SS
Process Connection	1/4" 18 NPT
Wiring Terminations	Exposed, 3 terminals, 16 to 22 AWG
Mounting	L-Bracket w/2, 0.156" holes for #6 screws
Enclosure Rating	NEMA 4, (IP65)
Dimensions	7.05"W x 6.25"H x 2.16"D, (17.9 x 15.9 x 5.5 cm)
Weight	0.94b (0.41kg)
Approvals	CE
Warranty	1 year

PROOF PRESSURE (High Side)							
Range		Proof		Range		Proof	
psid	kPa	psid	kPa	psid	kPa	psid	kPa
0-1	6.89	20	137.9	±0.5	±3.45	20	137.9
0-2	13.79	40	275.8	±1	±6.89	40	275.8
0-5	34.47	100	689.5	±2.5	±17.24	100	689.5
0-10	68.95	100	689.5	±5	±34.47	100	689.5
0-25	172.4	250	1723.7	±10	±68.95	200	1379.2
0-50	344.7	250	1723.7	±25	±172.4	250	1723.7
0-100	689.5	250	1723.7	±50	±344.7	250	1723.7

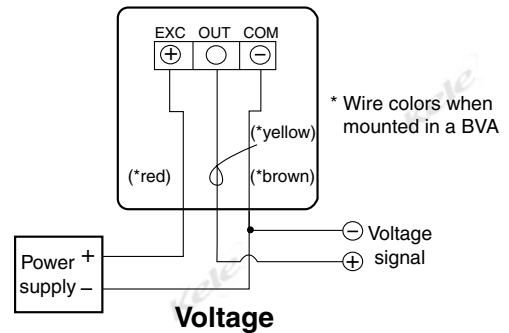
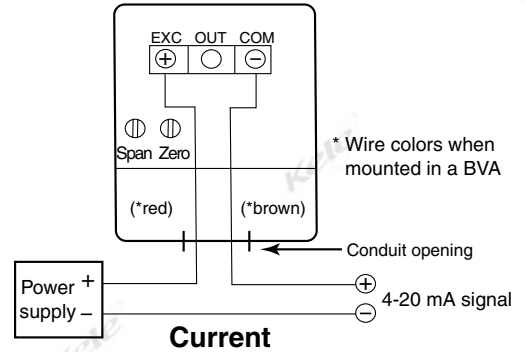


WET TO WET DIFFERENTIAL PRESSURE TRANSMITTER M230 SERIES

DIMENSIONS



WIRING



ORDERING INFORMATION

MODEL	DESCRIPTION
M230	Differential pressure transmitter
	PRESSURE RANGE psid (kPa)
001PD	0-1.0 (6.90)
002PD	0-2.0 (13.79)
005PD	0-5.0 (34.48)
010PD	0-10.0 (68.95)
025PD	0-25.0 (172.38)
050PD	0-50.0 (344.75)
100PD	0-100.0 (689.50)
0R5PB	±0.5 (±3.45)
001PB	±1.0 (±6.90)
2R5PB	±2.5 (±17.24)
005PB	±5.0 (±34.48)
010PB	±10.0 (±68.95)
025PB	±25.0 (±172.38)
050PB	±50.0 (±344.75)
	OUTPUT
C	4-20 mA
V5	0-5 VDC
V10	0-10 VDC
	OPTIONS
BVA	Bypass valve assembly
3VLV	Three-valve manifold assembly

Example: M230-10PD-C Differential pressure transmitter ranging from 0-10 psid with a 4-20 mA output