



LEVEL & LEAK DETECTION

ROPE STYLE WATER DETECTOR WD-2PR

DESCRIPTION

The **Kele Model WD-2PR** rope style water detector uses a rope with dual sensing wires for dependable detection of conductive liquids anywhere. The **Model WD-2PR** includes a rope which activates a trouble output if the rope is unplugged, broken, or cut. Alarm relays may be independently jumpered to energize or de-energize upon water or trouble detection.

FEATURES

- *Weather resistant plastic enclosure*
- *Designed to minimize external noise pickup*
- *SPDT alarm and trouble relay contacts*
- *Relay action jumper selectable*
- *Power/Alarm/Trouble status LED (green, red, green/red)*
- *Floor or under-pipe mounting*
- *Able to convert to two alarm relays*

OPERATION

The **Model WD-2PR** can be used with any contact-closure monitoring device, wiring to either the normally open or normally closed contacts for flexibility.

NEW!



WD-2PR



WD-2PR-10

SC Sensing Cable

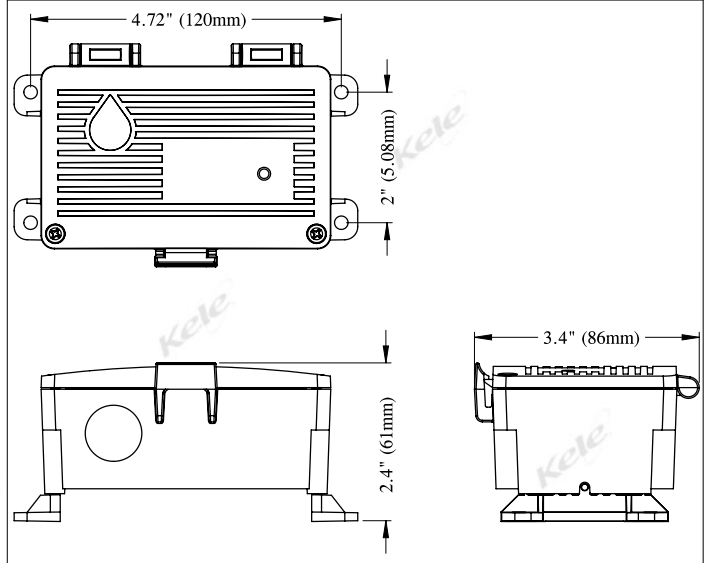
10

LEVEL & LEAK DETECTION

SPECIFICATIONS

Supply Voltage	11-27 VAC @ 2.4 VA; 11-27 VDC @ 60 mA
Relay Output	1 A @ 24 VAC/VDC, 1/2 A @ 120 VAC
Relay Type	(2) SPDT
Display	Green LED = Power Red LED = Alarm
Operating Temperature	Detector: 32° to 158°F (0° to 70°C) Tape: 32° to 180°F (0° to 82°C)
Enclosure Rating	Plastic, NEMA 3R, weather resistant with adjustable legs
Cable Rating	Plenum rated - (L2P(UL))
Dimensions	4.23"H x 3.75"W x 4.5"D (10.7 x 9.5 x 11.4 cm)
Weight	
WD-2PT	0.98 lb (6.44 Kg) (without tape)
WD-2PT-10	1.8 lb (0.8 Kg)
WD-2PT-25	2.2 lb (1.0 Kg)
WD-2PT-50	3.0 lb (1.4 Kg)
WD-2PT-100	4.6 lb (2.1 Kg)
Warranty	1 year

DIMENSIONS



NEW!

LEVEL & LEAK DETECTION

ROPE STYLE WATER DETECTOR WD-2PR



INSTALLATION

Floor Mounting

Mount the **Model WD-2PR** box adjacent to the area to be protected.

Note 1: Once the sensor is activated (wet), the contacts will remain in alarm until the liquid no longer bridges the sensing wires.

Note 2: To convert the rope integrity check relay to a second alarm relay, remove the "OPTION" jumper.

Additional Installation Notes

Note 3: The customer should NOT install the NO TBL CHECK jumper for normal operation. Installation of the "NO TBL CHECK" jumper in a new unit with rope not cut will cause the unit to go into alarm. If the unit is powered up with the NO TBL CHECK jumper on the status light blinks red. The rope has the trouble check feature built in. Therefore, the NO TBL CHECK jumper should not be installed unless the end of the rope is cut off. In normal operation, the jumper is not installed and if the rope is damaged, the LED blinks red/green to indicate a broken rope and a trouble signal is generated.

Note 4: If the rope is disconnected from the PCB board, with the NO TBL CHECK jumper on, then the device will think everything is normal and status light blinks green. The NO TBL CHECK jumper should not be installed with a normal rope.

Note 5: If the rope is removed while the NO TBL CHECK jumper is off, the status light blinks red/green. This is a normal setup, then the rope is removed (or broken), therefore trouble is detected and red/green blinks.

WIRING

The **Model WD-2PR** is provided with a hole for 1/2" conduit connection. All interconnect wiring should be 18 AWG or larger.

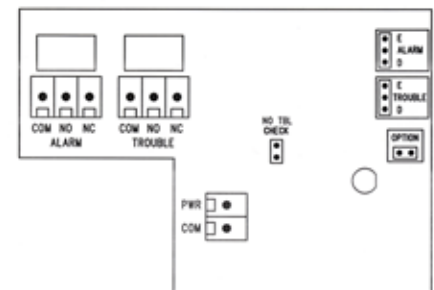
The **Model WD-2PR** includes a supervisory resistor connected to the far end of the rope to continuously check the integrity of the sensor. A self-check disable jumper is provided inside for use with older or cut-down ropes that do not have the supervisory resistor.

STATUS INDICATOR (MULTI-COLORED LED)

- **Green blink** Normal
- **Red blink** Water detected
- **Red/green alternating** Rope sensor problem

JUMPER POSITIONS

- **NOTBL CHK** Install jumper to disable rope trouble check
- **OPT** Remove jumper to convert trouble contacts to second set of alarm contacts
- **ALM** (position D) De-energize relay on alarm (position E) Energize relay on alarm
- **TBL** (position D) De-energize relay on trouble (position E) Energize relay on trouble



ORDERING INFORMATION

MODEL	DESCRIPTION
WD-2PR	Water detector with leader cable, EOL terminator, and no sensing cable attached (order the SC-** separately)
WD-2PR-10	Water detector with 10' (3m) sensing cable (wired directly to the WD unit)
WD-2PR-25	Water detector with 25' (7m) sensing cable (wired directly to the WD unit)
WD-2PR-50	Water detector with 50' (15m) sensing cable (wired directly to the WD unit)
WD-2PR-100	Water detector with 100' (30m) sensing cable (wired directly to the WD unit)

ACCESSORIES	
SC-10	10' sensing cable with connectors on both ends
SC-25	25' sensing cable with connectors on both ends
SC-50	50' sensing cable with connectors on both ends
SC-100	100' sensing cable with connectors on both ends
LC-KIT	Leader cable 15' with one connector and one EOL terminator
EOL-M	End of line terminator
WD-CLIP-5	Pack of five mounting clips (space 18" for under-pipe installation)

10

LEVEL & LEAK DETECTION