



PRESSURE

DIFFERENTIAL PRESSURE TRANSMITTER 231 SERIES

DESCRIPTION

The **Setra 231 Series Multi-Range Differential Pressure Transmitter** is ideal for monitoring pumps and load differential pressures in HVAC systems and processes where local indication is needed. The **231 Series** design provides users with field accessible ranging, choice of outputs, and field zero adjustment.

FEATURES

- *Field selectable ranges and outputs*
- *Field accessible pushbutton zero and remote zero*
- *Field selectable port swap*
- *True 4-20 mA output, and choice of VDC outputs*
- *Hinged cover*
- *Heavy duty aluminum NEMA 4 housing*
- *Optional LCD display*
- *RoHS compliant*



231 Series



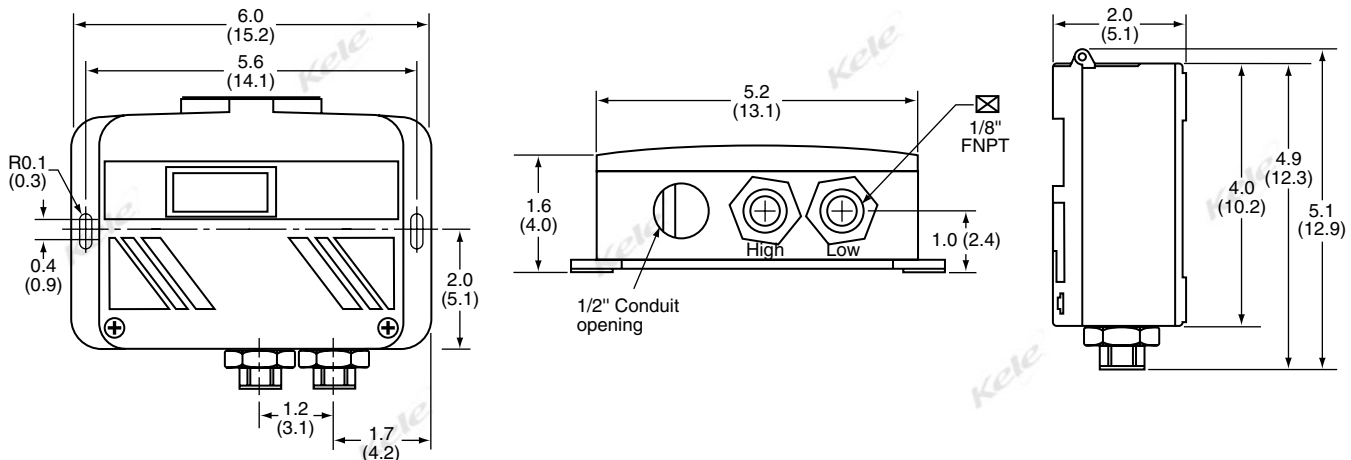
SPECIFICATIONS

Supply Voltage	12-30 VDC @20mA	Max Operating Pressure (Proof)	MS1=110 psid, MS2=220 psid, MS3=550 psid
Current output	12-30 VDC, 18 to 28 VAC @10mA	Operating Temperature	-4° to 185°F (-20° to 85°C)
Voltage output	4-20mA loop, 0-10VDC or (0,1)-5VDC Selectable	Compensated Temp Range	32° to 130°F (0° to 54°C)
Signal Output (Volts,Current)		Operating Humidity	10 to 95% Non-condensing
Min Voltage Output Impedance	<math>< 5K\Omega</math>	Wetted Parts	17-4 stainless steel
Max Current Output Impedance	<math>< 600\Omega</math> @24VDC	Media Compatibility	Liquid/Gasses compatible w/17-4 SS
Accuracy	$\pm 1.0\%$ Range A-C, $\pm 2.0\%$ Range D	Process Connection	1/4" 18 NPT
Sensor Type	Piezoresistive	Wiring Terminations Terminals	2-(4-20mA), 3-(Volts)
Adjustments (Z/S)	Push Button or remote contact Zero	Mounting	Tabs with 2 , 0.156" holes for #6 screws
Normal Measurement Range	0 to 250 psid selectable with range (See ordering)	Enclosure Rating	Powder coated aluminum, NEMA 4, w/o display
Display	Opt-LCD, 4 digits, 0.526" high, WC/kPa switch	Dimensions	5.1"W x 6.0"H x 2.0"D, (13 x 15.2 x 5.1 cm)
Overpressure (Burst)	MS1=2000 psid, MS2=4000 psid, MS3=10000 psid	Weight	1.5 lbs (0.68kg)
		Approvals	CE, RoHS
		Warranty	1 year

PRESSURE

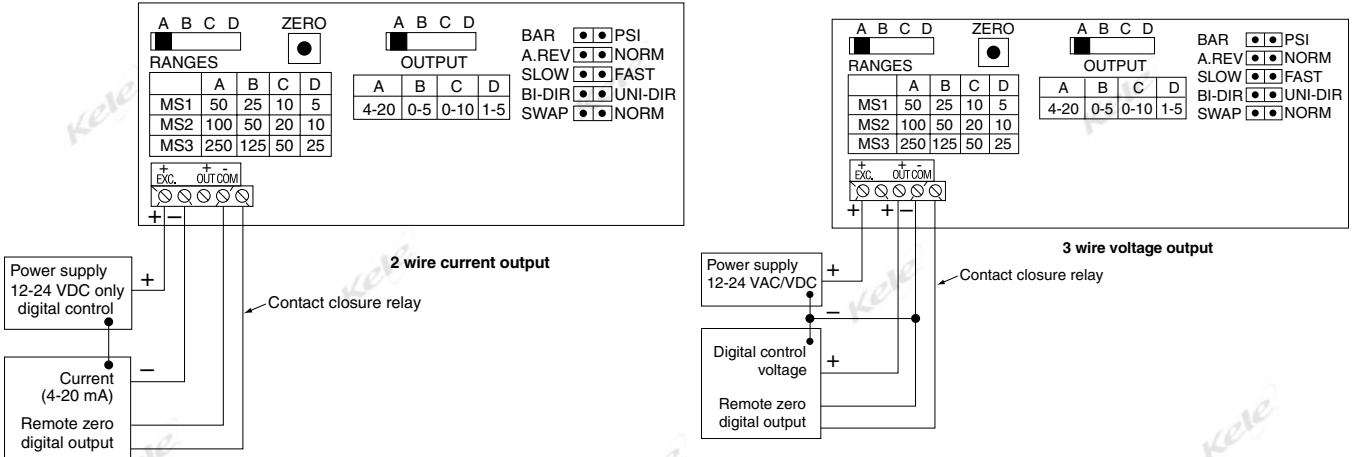
17

DIMENSIONS





WIRING



ORDERING INFORMATION

MODEL	DESCRIPTION
231G	Wet to wet differential pressure transmitter
RANGES: UNIDIRECTIONAL AND BIDIRECTIONAL*	
MS1	5, 10, 25, 50 psid and ± 5 , ± 10 , ± 25 , ± 50 psid
MS2	10, 20, 50, 100 psid and ± 10 , ± 20 , ± 50 , ± 100 psid
MS3	25, 50, 125, 250 psid and ± 25 , ± 50 , ± 125 , ± 250 psid
PRESSURE CONNECTION	
2F	1/8-18 NPT female (Standard)
DISPLAY OPTION	
N	No display
D	LCD display
MANIFOLD OPTION	
3VLV	3 valve bypass option

231G - MS1 - 2F - D - 3VLV

Example: 231G-MS1-2F-D-3VLV Setra differential pressure transmitter Model 231 ranging from 0 to 50 psid with LCD display and 3VLV bypass option.

* Line Pressure determines selection of range code.

RELATED PRODUCTS

47B-1	Brass piston style snubber
47S-1	Stainless steel piston style snubber
PT	1/4" pigtail syphon with fittings